



General Guidelines

- It is the user's responsibility to read and follow all instructions.
- Keep these instructions with the product at all times and review before each use.
- It is the responsibility of this product's owner to furnish the instructions to any person that borrows or purchases the product.
- Inspect the product before use to ensure it is assembled properly and all parts are in safe working order and free of defects.
- Never modify this product in any way.
- All circumstances cannot be addressed in these instructions. Please use common sense and practice general safety measures when using this product.
- Parts and/or instructions are subject to change without notice.

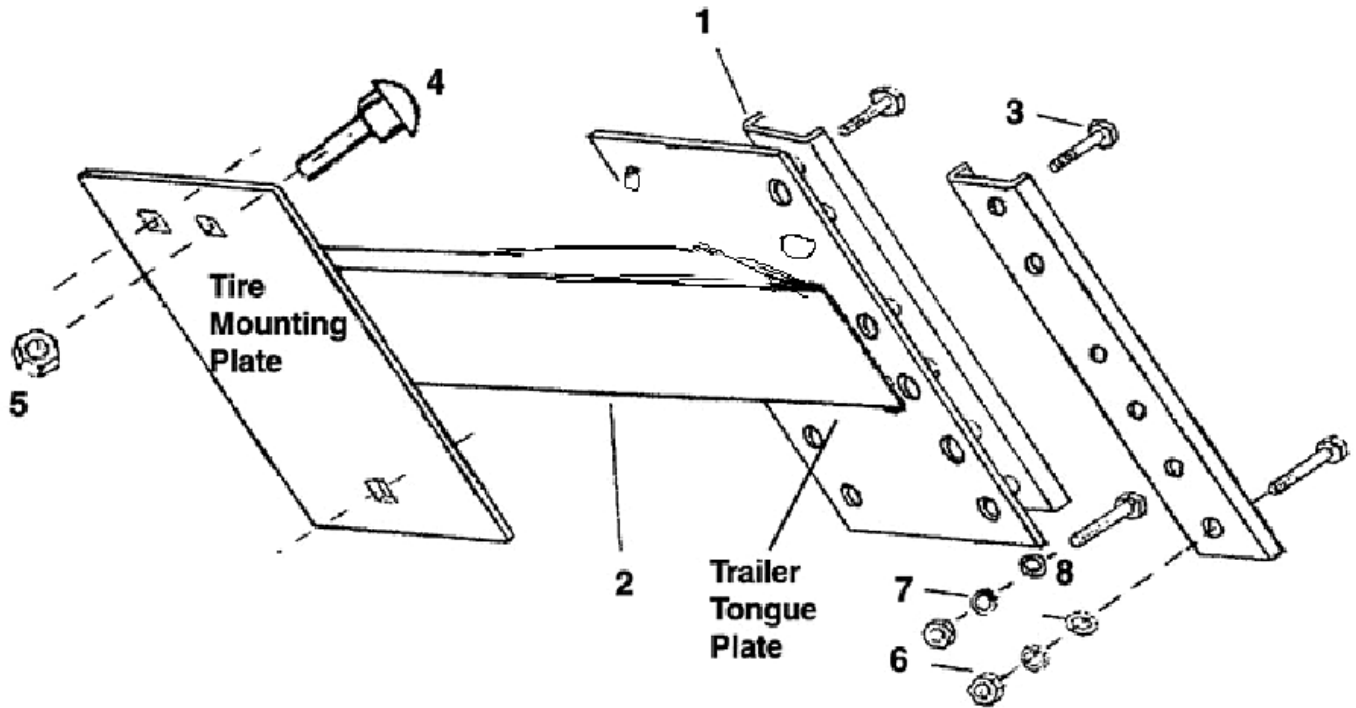
Maintenance

Before each use, inspect the Spare Tire Carrier for its general condition. Check for loose bolts, cracked, bent, or broken parts, and any other condition that may affect its safe operation.

Technical Specifications

- Construction: Heavy duty welded steel
- Overall Dimensions: 10-1/4"L x 4"W x 6-1/4"H
- Pre-drilled holes: 7/16" 360 degrees
- Maximum Weight Capacity: 100 lbs
- Weight: 6.6 lbs

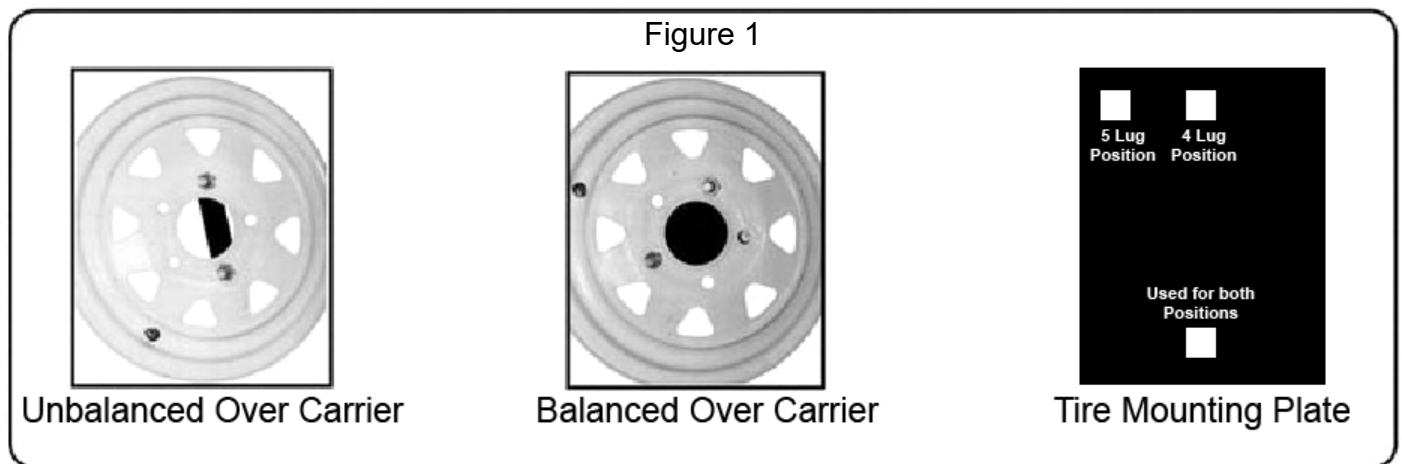
Parts & Assembly



Part	Description	Quantity
1	Mounting Bar	2
2	Mounting Bracket	1
3	Hex Bolt	4
4	Rounded Head Bolt	2
5	Rounded Head Nut	2
6	Nut	4
7	Spring Lock Washer	6
8	Washer	6

Installation

- Secure the unloaded trailer with wheel chocks (blocks) on a hard, flat surface capable of supporting the weight of the trailer, Trailer Spare Tire Carrier, and required tools.
- Raise the trailer tongue and secure it with two supports, one on each side of the trailer tongue.
- Position the Mounting Bracket (2) in the correct location against the side of the trailer tongue.
Note: The spare tire will be located to the side of the trailer tongue.
Note: The angled Tire Mounting Plate should be angled upward the position of the Trailer Tongue Plate.
- Attach the Mounting Bar (1) to the Mounting Bracket (2). Set the Mounting Bars (1) (containing six holes) flat against the trailer tongue so that the edges of the Mounting Bars (1) curve out away from the trailer tongue. Insert four Hex Bolts (3) through the Mounting Plate (1) as close to the trailer tongue as possible. Slide on Washers (8), Spring Lock Washers (7) and thread on Nut (6). Use a torque wrench to tighten the Nut (6) to 90ft/lbs.
- Mount the tire on the Tire Mounting Plate with the valve facing outward so that the tire air pressure can be checked at any interval.
Warning: Make certain that the tire is centered on the Tire Carrier when mounted - see Figure 1.
- Insert Round Head Bolts (4) up through the Tire Mounting Plate and through the wheel. Thread on Nylon Lock Nut (5) - see Assembly diagram. Securely tighten and torque all hardware to 90ft/lbs.



Product Warranty and Liability

GENERAL PRODUCT WARRANTY: Products purchased from the Authorized Dealer (original place of purchase) or Merchant (“Dealer”) will be free of defects in material and workmanship at the time of receipt, and will meet the specifications stated at the place of purchase transaction or online at the Dealer’s website, under normal use and service when correctly installed, operated and maintained. This product warranty is effective for the period of time stated below, unless otherwise stated in the product instructions or depicted in the product advertisement. **All Authorized Dealer warranties are NON-TRANSFERABLE** and cover only the original end purchaser. This limited warranty does not cover products purchased through non-authorized dealers. Non-authorized dealer receipts are not accepted for warranty verification.

*****Warranty claims must be made directly to the original place of purchase.*****

WARRANTY PERIOD: This warranty remains in force for one year from the date of the product’s accepted delivery. The Authorized Dealer offers a one year manufacturer’s warranty for most products unless otherwise specified on the product advertisement.

WARRANTY SERVICE: The Authorized Dealer will replace any defective or malfunctioning part at no charge, including payment of the shipping costs of parts or replacement product to and from the manufacturer. The purchaser is responsible for labor charges. If the product does not meet specifications as depicted in the advertisement, the Authorized Dealer will refund the full purchase price of the product.

Questions regarding the warranty on a specific product and warranty claims should be directed to the Authorized Dealer with whom the purchase transaction was made.

WARRANTY LIMITATIONS: The above warranty does not apply to products that are repaired, modified or altered by any party other than the Authorized Dealer; are subjected to unusual physical stress or conditions (such as overloaded ramps or corrosion), natural disaster, governmental actions, wars, strikes, labor disputes, riots, theft, vandalism, terrorism or any reason beyond reasonable control; are damaged due to improper installation, misuse, abuse, accident or negligence in use, storage, transportation or handling, or tampering; or to products that are considered consumable items or items requiring repair or replacement due to normal wear and tear.

Product should be inspected prior to signing for delivery. Product damage incurred during shipping, unless noted on the Bill of Lading at the time of delivery, renders this warranty void.

LIMITED LIABILITY: In no event shall THE AUTHORIZED DEALER be liable to the purchaser or any third party for any indirect, incidental, consequential, special, exemplary or punitive damages arising out of the use of the product, including, without limitation, property damage, loss of value of the product or any third party products that are used in or with the product, or loss of use of the product or any third party products that are used in or with the product.

