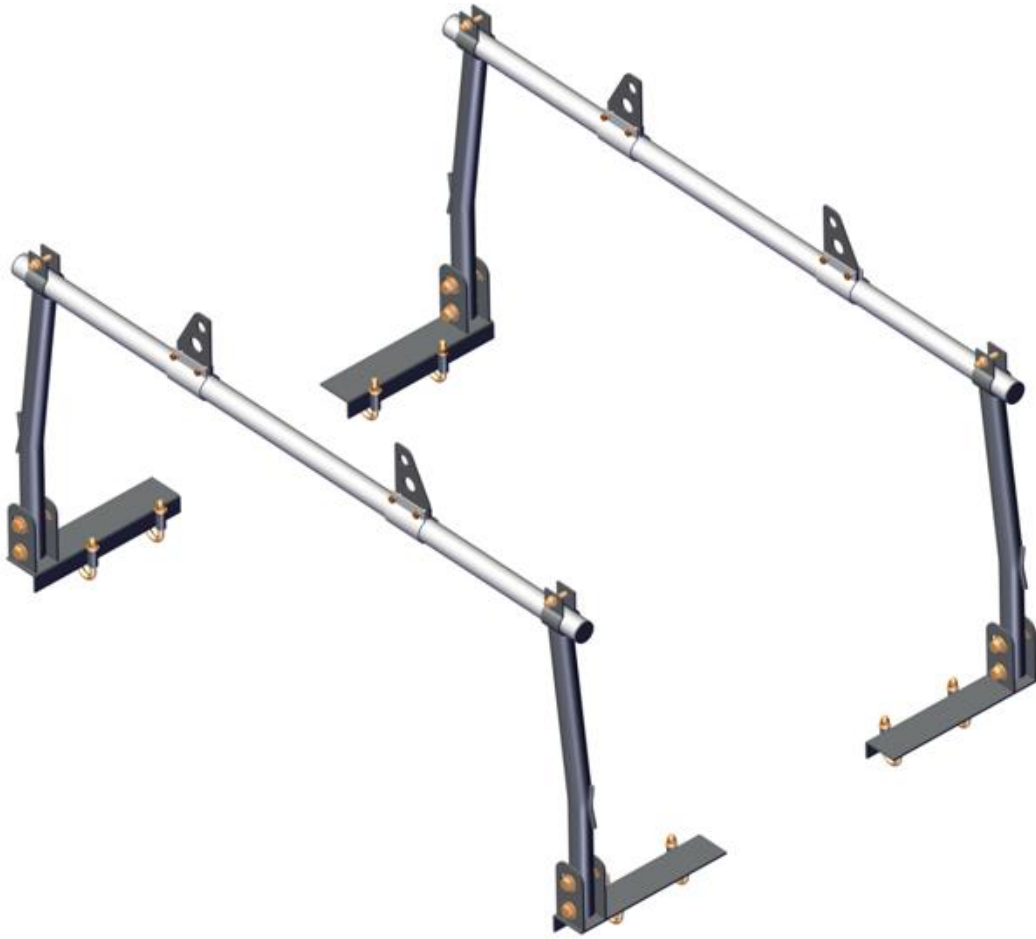
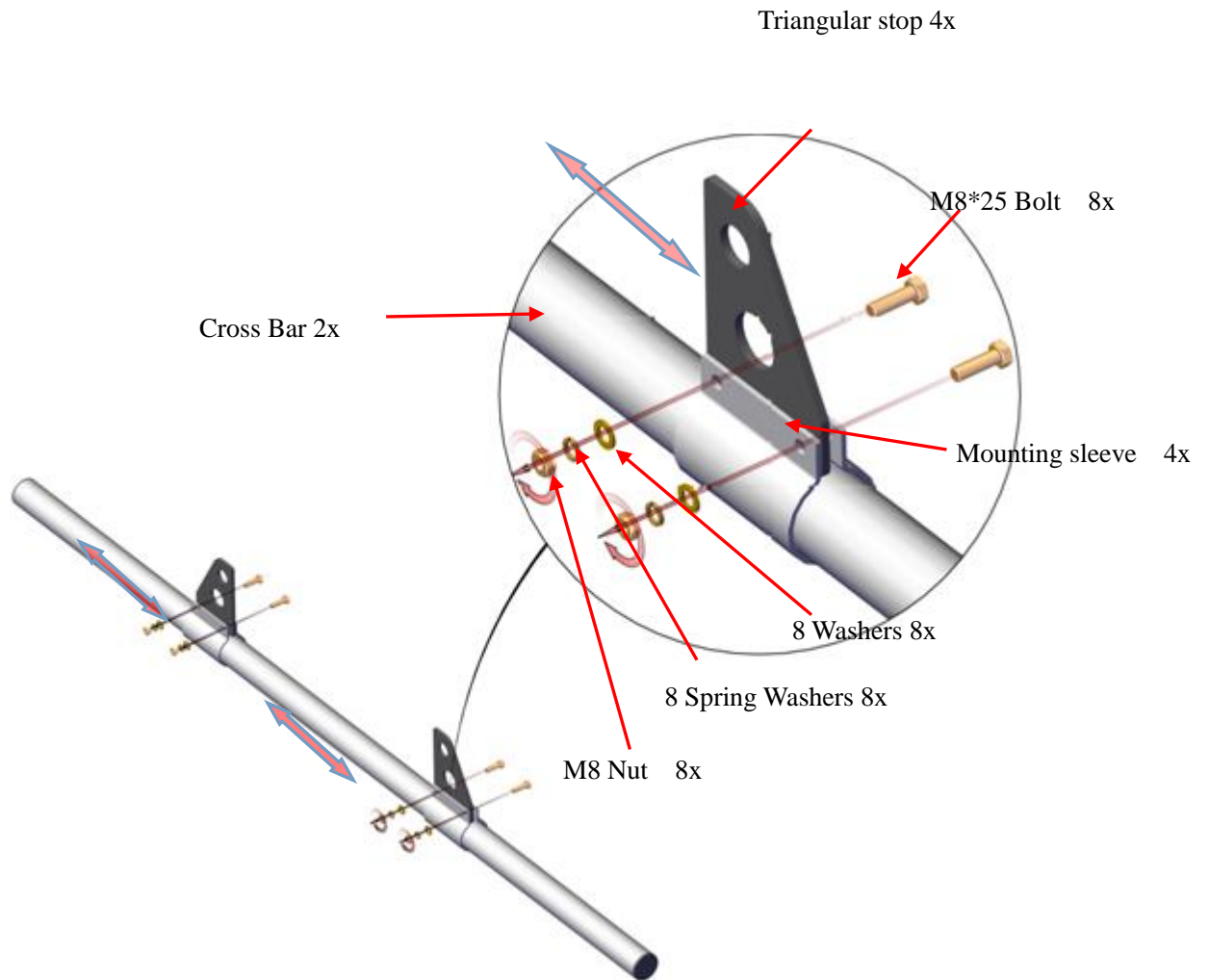


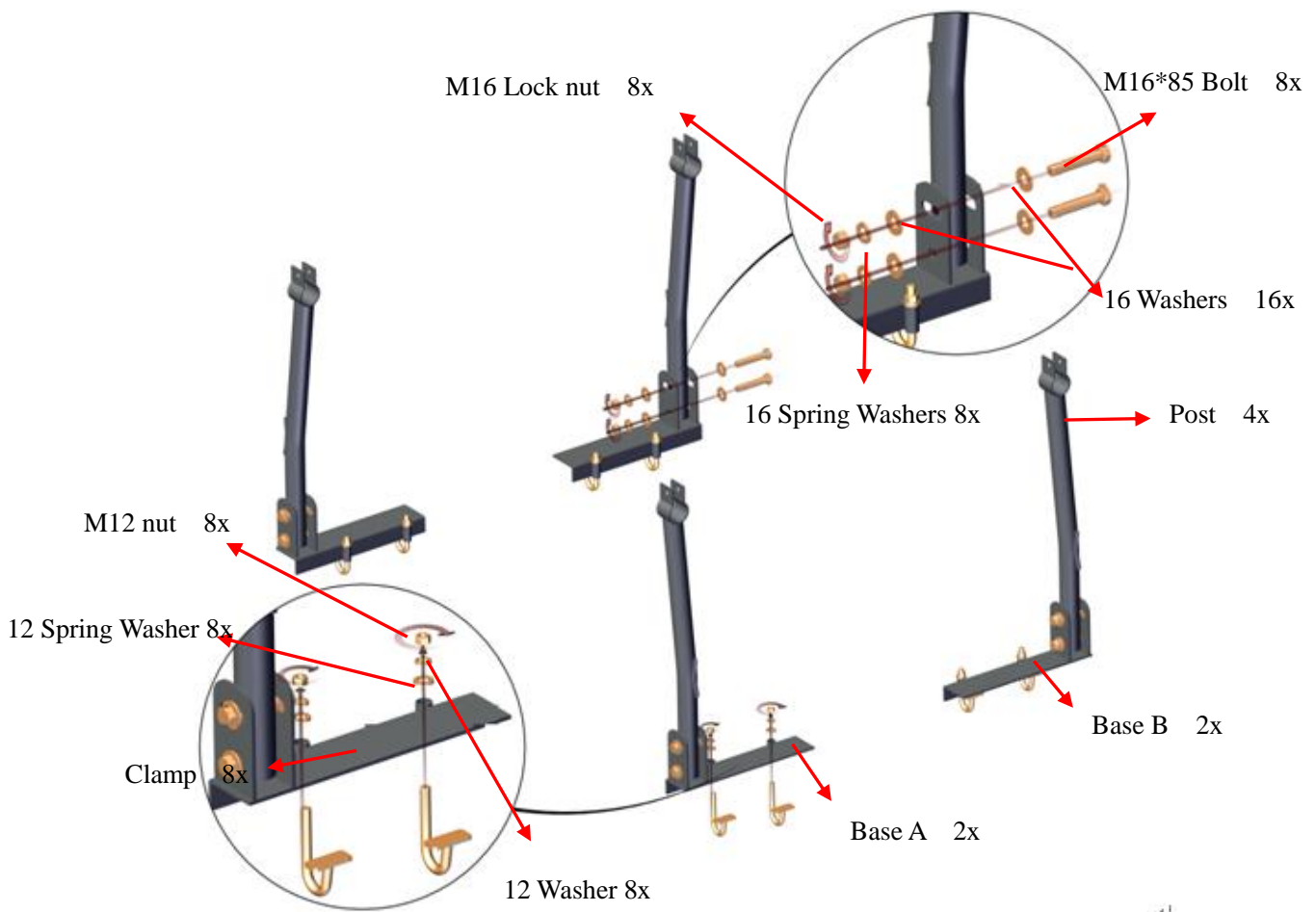
**10105014-800LBS. 4-Post Steel Truck Rack**



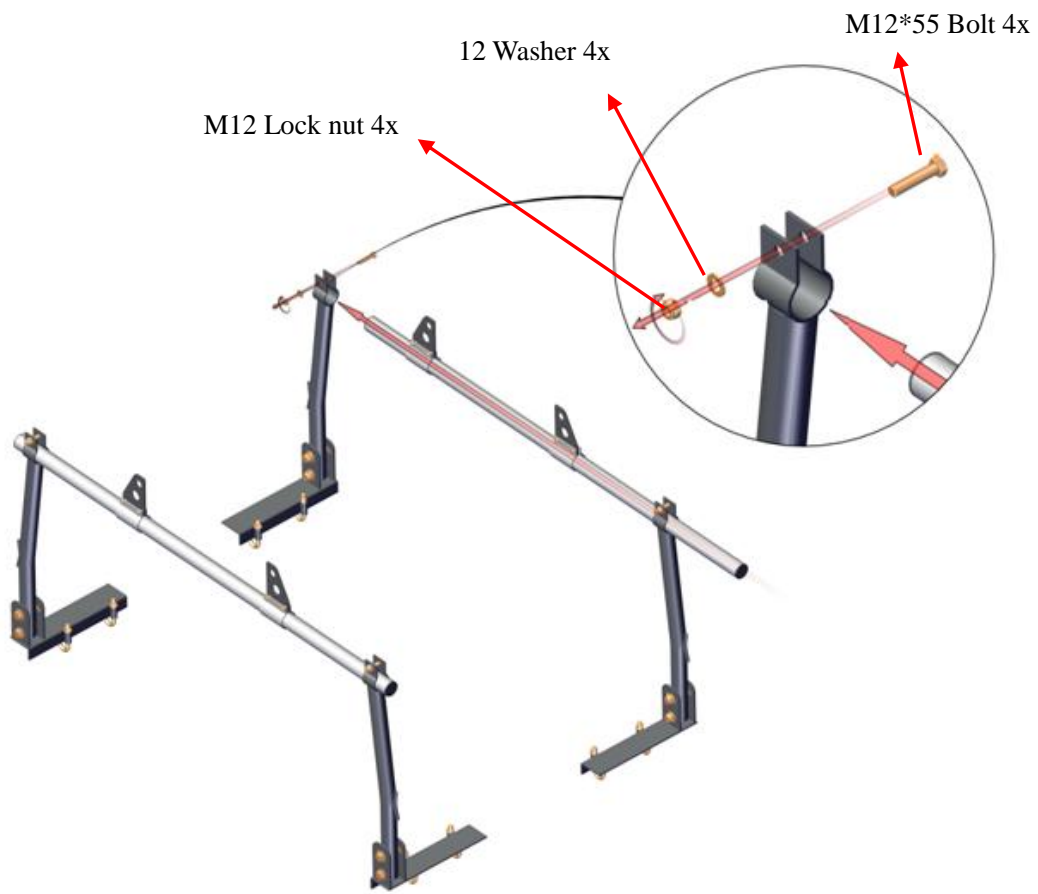
## Installation Steps



1. Slide 2 mounting sleeves (14) onto one of the cross bars (4). Insert the triangular stops(13) into the mounting sleeve(14), secure with M8\*25 Bolts(15) and 8 washers(16),8 spring washers(17),M8 nuts(18). Repeat for 4 triangular stops.

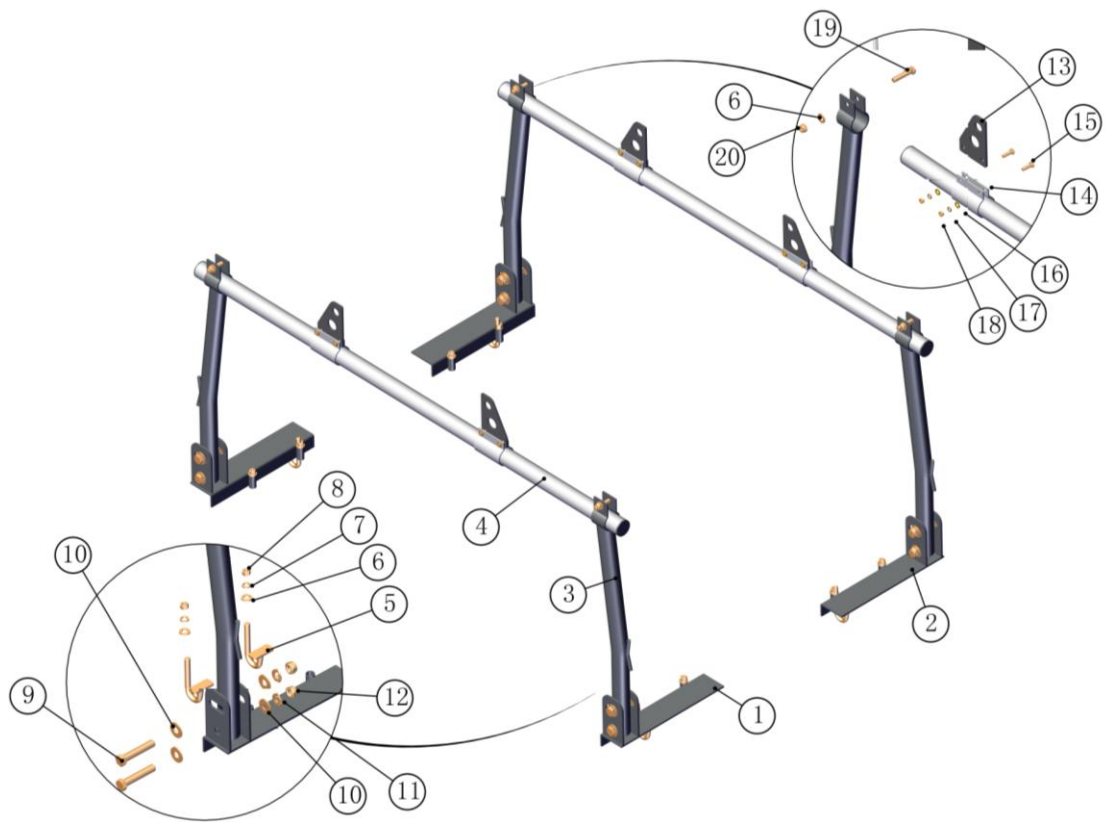


2. Take the bottom of the post (3) and line up the holes on the post (3) with the holes for the base(1&2), secure with M16\*85 bolts (9), 16 washers (10), 16 spring washers (11) and M16 lock nut (12). Repeat for 4 posts and bases.
3. Place the base that connecting with post (3) on the side rail of truck bed, secure with clamp(5), and tighten with M12 nut(8), 12 washer(6), and 12 spring washer(7). Repeat for 4 bases.



4. Place the assembled cross bar onto the opening tops of each post (3), tighten with M12\*55 Bolts (19), 12 washers (6), and M12 Lock nuts (20).

## Explosion diagram and parts list



Item#	Description	Q'ty	Item #	Description	Q'ty
1	Base A	2	11	16 Spring washer	8
2	Base B	2	12	M16 Lock nut	8
3	Post	4	13	Triangular Stop	4
4	Cross Bar	2	14	Mounting sleeve	4
5	Clamp	8	15	M8*25 Bolt	8
6	12 washer	12	16	8 washer	8
7	12 spring washer	8	17	8 spring washer	8
8	M12 nut	8	18	M8 nut	8
9	M16*85 Bolt	8	19	M12*55 Bolt	4
10	16 Washer	16	20	M12 Lock nut	4