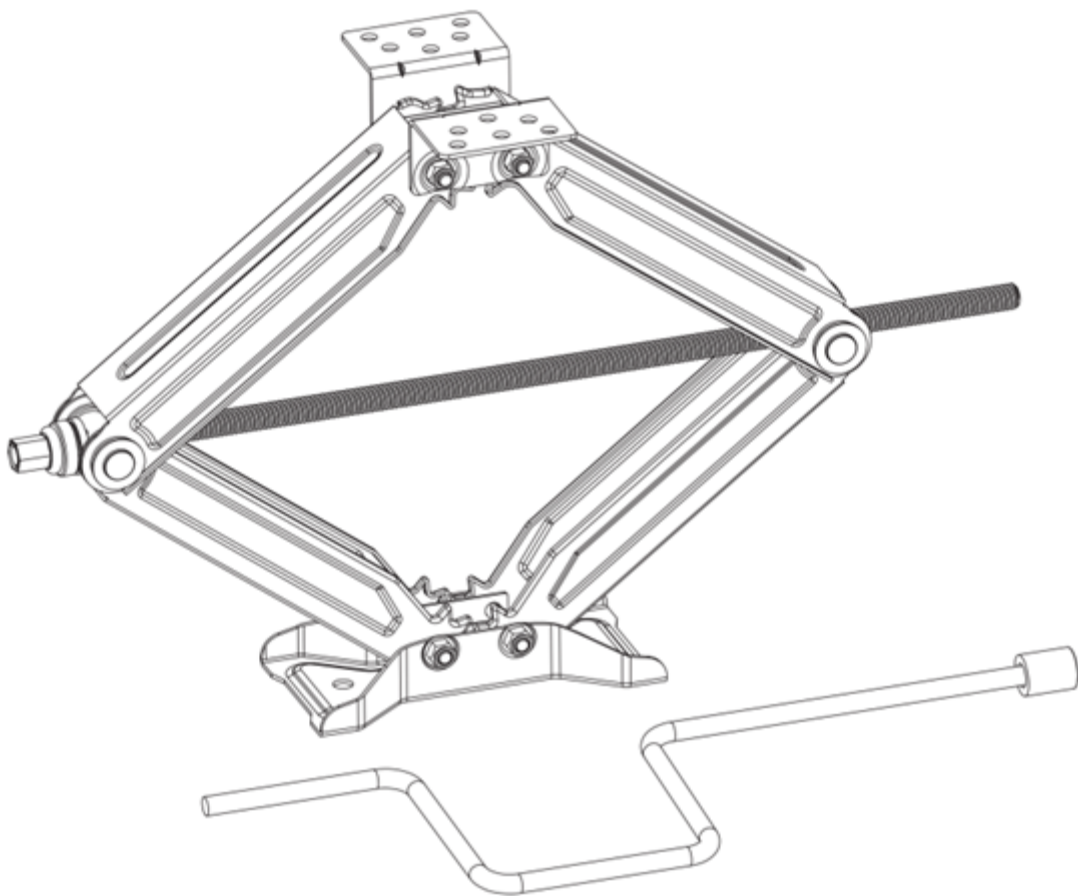




## Instructions for Part # Stabilizer-Jack-HC-2



### General Guidelines

Read carefully and understand all **ASSEMBLY AND OPERATION INSTRUCTIONS** before operating. Failure to follow the safety rules and other basic safety precautions may result in serious personal injury.

## INTENDED USE

- Stabilizer jack are designed for leveling and stabilizing recreational vehicles, campers and trailers.
- Anything that extends beyond the lines is at risk of damage or destruction from off-road driving, entering or exiting driveways, or uneven terrain.
- DO NOT use this jack to lift tires off ground or lift excessive weight, it may cause damage of vehicle frame and door jam.
- DO NOT raise the corner or extreme ends of trailer to excessive height, it may cause the damage of trailer.
- DO NOT use this stabilizer jack to change tires. DO NOT use cheater bar or impact wrench.
- DO NOT exceed rated capacity.
- DO NOT apply a load to this jack below 13-3/4" in height.
- Keep out from under trailer/RV, keep hands away from scissor mechanism, keep children away.
- Always use on hard and flat surface, always block the wheels.
- Failure to follow instructions may result personal injury and/or property damages.
- Some RV sub-frame are not capable to handling extra forces beyond it intended design strength to support cabin weight. Contact your RV manufacturer about the sub frame strength information before installing these stabilizer jacks.

## TECHNICAL SPECIFICATIONS

Property	Specification
Item#	2130
Ext Height	24"
Lift Capacity (lbs.)	5,000

## Tools and Components Required

- C-clamps
- 50' string
- Electric drill
- 1/8" drill bit
- 11/32" drill bit Arc welder(Used only if welding jacks to frame)
- 9/16" socket
- Appropriate hardware (Required if not welding)
- Ratchet w/extension
- Lithium grease
- Appropriate safety protection (gloves, eye protection, etc.)

## GENERAL SAFETY RULES



**WARNING:** Read and understand all instructions. Failure to follow all instructions listed below may result in serious injury.



**CAUTION:** Do not allow persons to operate or assemble this electric jack until they have read this manual and have developed a thorough understanding of how the jack works.



**WARNING:** The warnings, cautions, and instructions discussed in this instruction manual cannot cover all possible conditions or situations that could occur. It must be understood by the operator that common sense and caution are factors which cannot be built into this product, but must be supplied by the operator.

## SAVE THESE INSTRUCTIONS

## IMPORTANT SAFETY CONSIDERATIONS

### JACK USE AND CARE

- **Do not modify the jack in any way.** Unauthorized modification may impair the function and/or safety and could affect the life of the equipment. There are specific applications for which the jack was designed.

- **Always check for damaged or worn out parts before using the jack.** Broken parts will affect the jack operation. Replace or repair damaged or worn parts immediately.
- **Do not force the jack.** Do not attempt to lift more than the maximum lifting capacity of 5000-lb.

## Where to Find the Correct Location for Installation

### For recreational trailer or 5th wheel:

#### Step 1a:

Park on level ground. Chock the tires and check the ground clearance.

#### Step 2a:

From the front corner of the trailer frame, draw a string to the bottom of the front tire. Repeat the procedure from the rear trailer frame to the bottom of the rear tire as seen in the illustration.

Note:

Anything that extends beyond the lines is at risk of damage or destruction from off-road driving, entering or exiting driveways, or uneven terrain.

### For RV/Motorhome:

#### Step 1b:

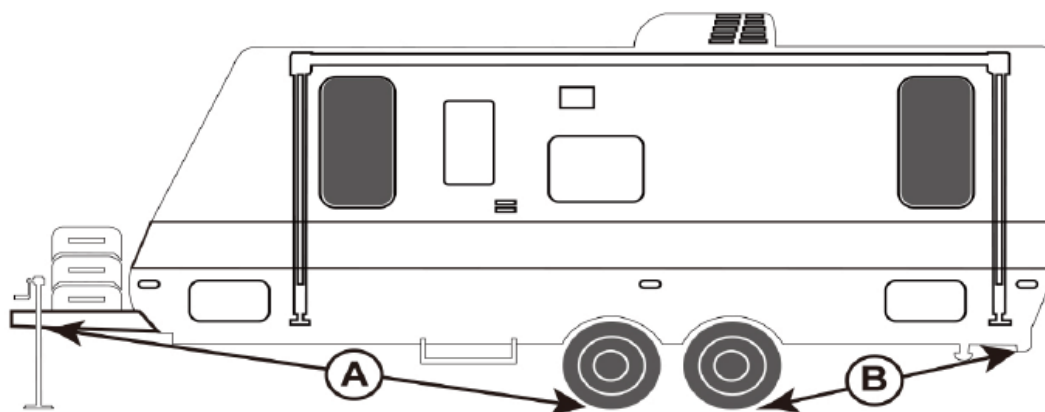
Park the RV on level ground and apply the emergency brake. Check for suitable ground clearance and chock all of the vehicle's tires.

#### Step 2b:

From the front bumper to the bottom of the front tire, draw a string. Repeat the process drawing a string from the overhang, or rear bumper to the bottom of the rear tire.

Note:

Any objects that extend past the lines is at risk for damage, destruction, or falling off due to uneven ground conditions, entering or leaving driveways, or excursions off-road.



## When Finding Your Vehicle's Mounting Placement, check:

1. Ground clearance suitability
2. Jack handle receivers are accessibly placed
3. There is sufficient clearance for other under-frame components

## Installation

### Step 3:

For any compatible vehicle, either in the front or the rear of the vehicle, place the jack closest to the frame. Make sure to stay within the previously placed string's perimeter. Hold the completely collapsed jack in place with C-clamps or Vice Grips. The handle receivers are to be placed outward, but must not extend past the trailer.

- Check the placement by opening and closing the jack handle. This ensures there is ample space for movement, without obstruction from the vehicle's chassis or under frame components, such as exhaust pipe, etc.
- If necessary, move the scissor jack to find an unimpeded placement.

### Step 4:

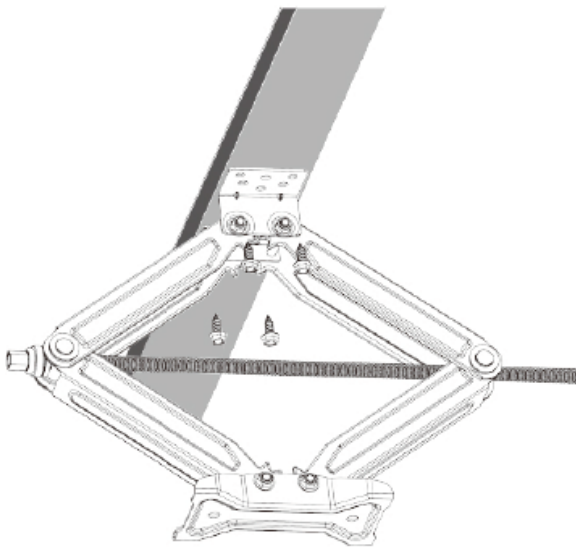
Once an acceptable position for all of the jacks is found, open the jacks until they touch the ground. It is important to use enough pressure to ensure the jacks do not move during the final installation processes.

**Caution:** During either bolt or welding installation, make sure drilling or welding will not damage any components under the chassis: fuel or brake lines, water, gas, electrical, or generator fuelines, water heater, holding tank plumbing.

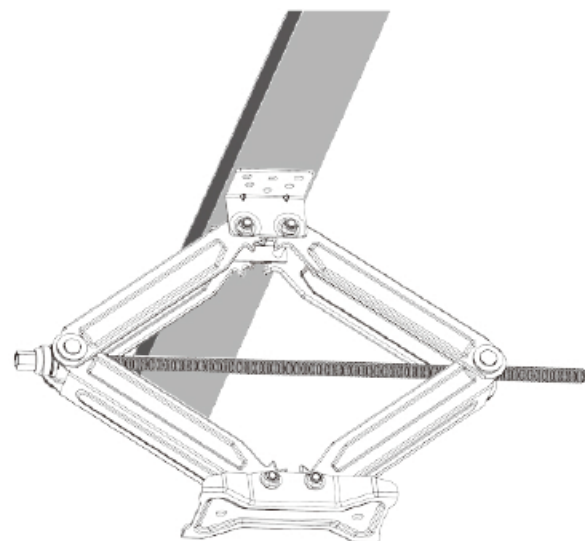
### Step 5: For Bolting Installation

Once the scissor jack placement is located, use the mounting plate as a template, and on the vehicle frame, mark the location of the holes. Remove the jack.

- Use a hammer and center punch to mark the placement of the center of each hole.
- Use 1/8" bit to create pilot holes and an 11/32" drill bit to finish drilling the holes.
- Replace the jack, use a 9/16" socket and ratchet, attach the scissor jacks to the frame using 4 self tapping 3/8"x1" screws (Figure 1).
- Use lithium grease to lubricate the scissor jack leveler screw. This step should be repeated yearly.



**Figure 1**



**Figure 2**

### **Step 6: For Welding Installation**

- Use welding manufacturer's safety recommendations during installation.
- Once jack placement is determined, weld the mounting plates to the vehicle's frame. Use four 1" welds for this step (Figure 2).
- Use lithium grease to lubricate the scissor jack leveler screw. This step should be repeated yearly.

## **OPERATION**

### **Step 1:**

Park on level ground. Engage emergency brake and tire chocks.

### **Step 2:**

Using either landing gear or tongue jack, level the front and back of the vehicle.

### **Step 3:**

Beginning on the lowest side of the vehicle, crank the scissor jack down first. The jacks on the other sides are used to further stabilize the vehicle.

# Product Warranty and Liability

**GENERAL PRODUCT WARRANTY:** Products purchased from the Authorized Dealer (original place of purchase) or Merchant (“Dealer”) will be free of defects in material and workmanship at the time of receipt, and will meet the specifications stated at the place of purchase transaction or online at the Dealer’s website, under normal use and service when correctly installed, operated and maintained. This product warranty is effective for the period of time stated below, unless otherwise stated in the product instructions or depicted in the product advertisement. **All Authorized Dealer warranties are NON-TRANSFERABLE** and cover only the original end purchaser. This limited warranty does not cover products purchased through non-authorized dealers. Non-authorized dealer receipts are not accepted for warranty verification.

**\*\*\*Warranty claims must be made directly to the original place of purchase.\*\*\***

**WARRANTY PERIOD:** This warranty remains in force for one year from the date of the product’s accepted delivery. The Authorized Dealer offers a one year manufacturer’s warranty for most products unless otherwise specified on the product advertisement.

**WARRANTY SERVICE:** The Authorized Dealer will replace any defective or malfunctioning part at no charge, including payment of the shipping costs of parts or replacement product to and from the manufacturer. The purchaser is responsible for labor charges. If the product does not meet specifications as depicted in the advertisement, the Authorized Dealer will refund the full purchase price of the product.

Questions regarding the warranty on a specific product and warranty claims should be directed to the Authorized Dealer with whom the purchase transaction was made.

**WARRANTY LIMITATIONS:** The above warranty does not apply to products that are repaired, modified or altered by any party other than the Authorized Dealer; are subjected to unusual physical stress or conditions (such as overloaded ramps or corrosion), natural disaster, governmental actions, wars, strikes, labor disputes, riots, theft, vandalism, terrorism or any reason beyond reasonable control; are damaged due to improper installation, misuse, abuse, accident or negligence in use, storage, transportation or handling, or tampering; or to products that are considered consumable items or items requiring repair or replacement due to normal wear and tear.

Product should be inspected prior to signing for delivery. Product damage incurred during shipping, unless noted on the Bill of Lading at the time of delivery, renders this warranty void.

**LIMITED LIABILITY:** In no event shall THE AUTHORIZED DEALER be liable to the purchaser or any third party for any indirect, incidental, consequential, special, exemplary or punitive damages arising out of the use of the product, including, without limitation, property damage, loss of value of the product or any third party products that are used in or with the product, or loss of use of the product or any third party products that are used in or with the product.

