



# TRANSITIONS® Angled Entry Mat

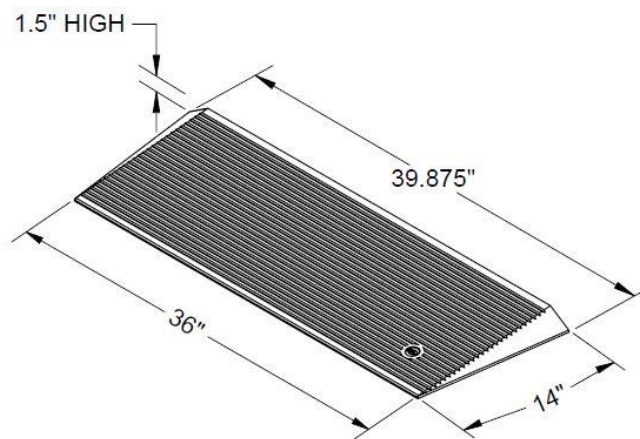
## Technical Specifications

MODEL	TAEM 1.5	TAEM 2.5
MADE 100% RECYCLED RUBBER	✓	✓
SLIP-RESISTANT SURFACE	✓	✓
AVAILABLE COLORS	Black, Storm Grey, or Hazelnut Brown	Black, Storm Grey, or Hazelnut Brown
USABLE SIZE (H x L x W)	1.5" x 14" x 36"	2.5" x 25" x 36"
OVERALL SIZE (H x L x W)	1.5" x 14" x 40"	2.5" x 25" x 43"
WEIGHT*	14 lbs.	31 lbs.
WEIGHT CAPACITY (DO NOT EXCEED)	850 lbs.	850 lbs.
FOR WHEELCHAIRS & SCOOTERS	✓	✓
USAGE GUIDELINES (RISE)**	1.5"	2.5"
WARRANTY	Lifetime Limited	Lifetime Limited

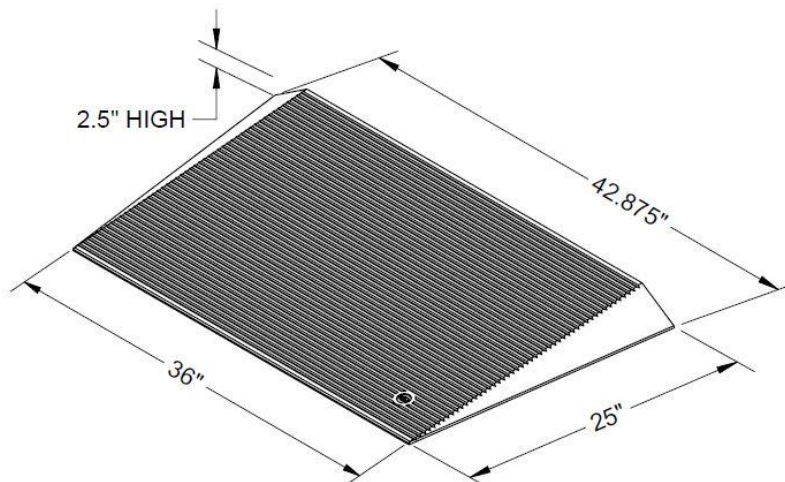
\* Weights and dimensions are approximate and subject to change.

\*\* Consult your equipment's owner guide for proper degree of incline. Never exceed its recommendations.

### TAEM 1.5



### TAEM 2.5



© EZ-ACCESS®, a division of Homecare Products, Inc. All rights reserved.

All text and images contained in this document are proprietary and may not be shared, modified, distributed, reproduced, or reused without the express written permission of EZ-ACCESS.