

Installation Manual

ADDENDUM

7' & 8' Platform, Legs, Guards, & Handrail Installation

This addendum covers the special requirements for installing platform, legs, guards and handrail components for the 5' x 7' and 5' x 8' Titan Series Commercial Ramp System. For additional instructions, refer to the main manual titled *Titan Series Commercial Ramp System Installation Manual*.

- ⚠ Read and follow all instructions/warnings prior to assembly and use. To obtain a copy of complete instructions, warnings, and cautions please call 1-800-258-8503.
- ⚠ Load rating: 100 lbs. psf live load, 300 lbs. concentrated.
- ⚠ Consult factory for any assembly configuration not covered in this addendum.
- ⚠ Do NOT use if ramp is damaged or unstable.
- ⚠ **CAUTION:** Refer to your equipment's (wheelchair or scooter) Owner Guide for the proper degree of incline/decline and chair direction before attempting ramp use. Never exceed its recommendations.
- ⚠ **IMPORTANT:** Use ramp only with a qualified helper.

1. INSTALLING PLATFORM LEGS:

- 1.1 Legs for the 5' x 7' platform (Fig. 1a) are installed in the same manner as the 5' x 5' and 6' x 6' platforms. Refer to the main manual titled *Titan Series Commercial Ramp System Installation Manual*.
- 1.2 The 5' x 8' platform has two additional legs that must be installed at the midpoint of the 8' side. Install all six legs in the platform, set the platform at the desired height, and tighten the eight setscrews in the corner pockets securely. Refer to the main manual titled *Titan Series Commercial Ramp System Installation Manual* for additional information.
- 1.3 For the two legs installed in the "center" pockets, **do not tighten the setscrews** until after the guard has been installed (Fig. 1b).
- 1.4 If the leg is in a location that will be unguarded or on the ramp side of a platform, mark the leg at the top of the center pocket, lift the leg up, cut the top of the leg off approximately 1/8" below the mark and drop the leg back into place (Fig. 2 & 3).

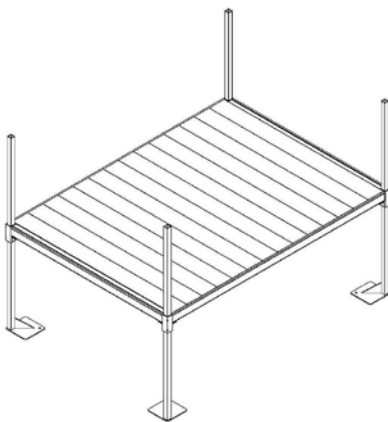


Fig. 1a (5x7 Platform)

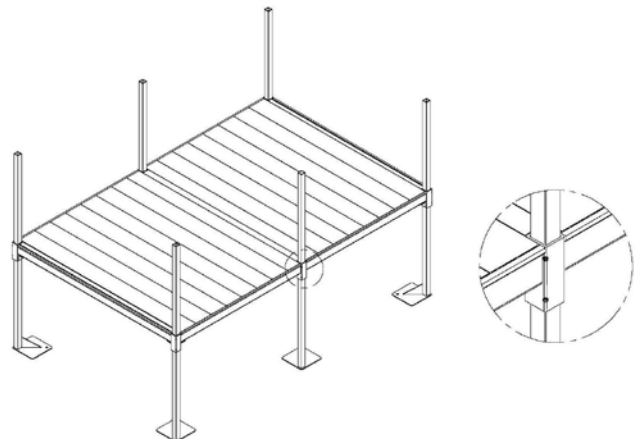


Fig. 1b (5x8 Platform)

2. INSTALLING GUARDS AND FILLER SECTIONS:

- 2.1 After the ramps are set, install 5' guards and corner posts as described in the main manual depending on the platform configuration. The 7' guard is installed in the same manner as shorter guards. Refer to the main manual titled *Titan Series Commercial Ramp System Installation Manual* for installation instructions.
- 2.2 For the 8' platform guard, the center post in the guard is installed over the leg in the center of the 8' side of the platform (Fig. 4).
- 2.3 The 7' and 8' filler sections are installed adjacent to ramps in the same manner as the 5' & 6' filler sections depending on the configuration. Refer to the main manual titled *Titan Series Commercial Ramp System Installation Manual*.
- 2.4 Make sure all the plugs are installed in the top of the guard and filler section posts and that all fasteners are tightened securely, including the four setscrews in the "center" pockets of the 8' platform.

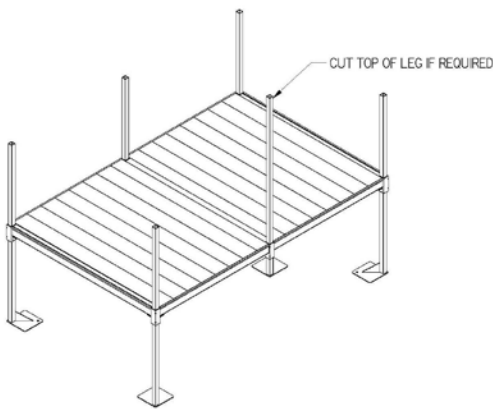


Fig. 2

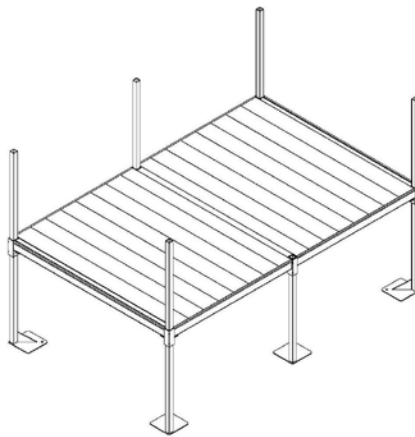


Fig. 3

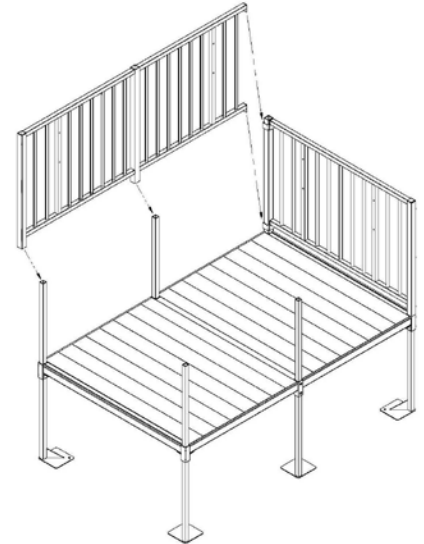


Fig. 4

3. RETURNING HANDRAILS ON A TOP PLATFORM (LANDING):

- 3.1 The handrails on the outside of 5' x 7' and 5' x 8' turn platforms are returned to a guard in the same manner as the 5' x 5' and 6' x 6' platforms. Refer to the main manual titled *Titan Series Commercial Ramp System Installation Manual* for installation instructions.
- 3.2 The handrail return on the inside corner of 5' x 7' and 5' x 8' turn platforms begins in the same manner as the 5' x 5' and 6' x 6' platforms. Connect the 90° elbow to the ramp handrail using a ring joiner as shown in Fig. 36 in the main manual titled *Titan Series Commercial Ramp System Installation Manual*.
- 3.3 Using another ring joiner, connect the handrail extension stub (provided with the guard filler sections for the 5' x 7' and 5' x 8' platforms) to the elbow. Level the handrail extension stub and tighten the joiner setscrews (Fig. 5).
- 3.4 Attach two handrail brackets and spacers to the two square pickets in the guard filler section by drilling 5/16" holes through the square pickets and securing using two 5/16"-18 x 3" long button head bolts, nuts and washers.
- 3.5 Attach the elbow and handrail extension stub to the handrail brackets using two 1/4" x 1" long self-drilling square drive screws.
- 3.6 Install the cap on the end of the handrail extension stub and tighten all fasteners securely.

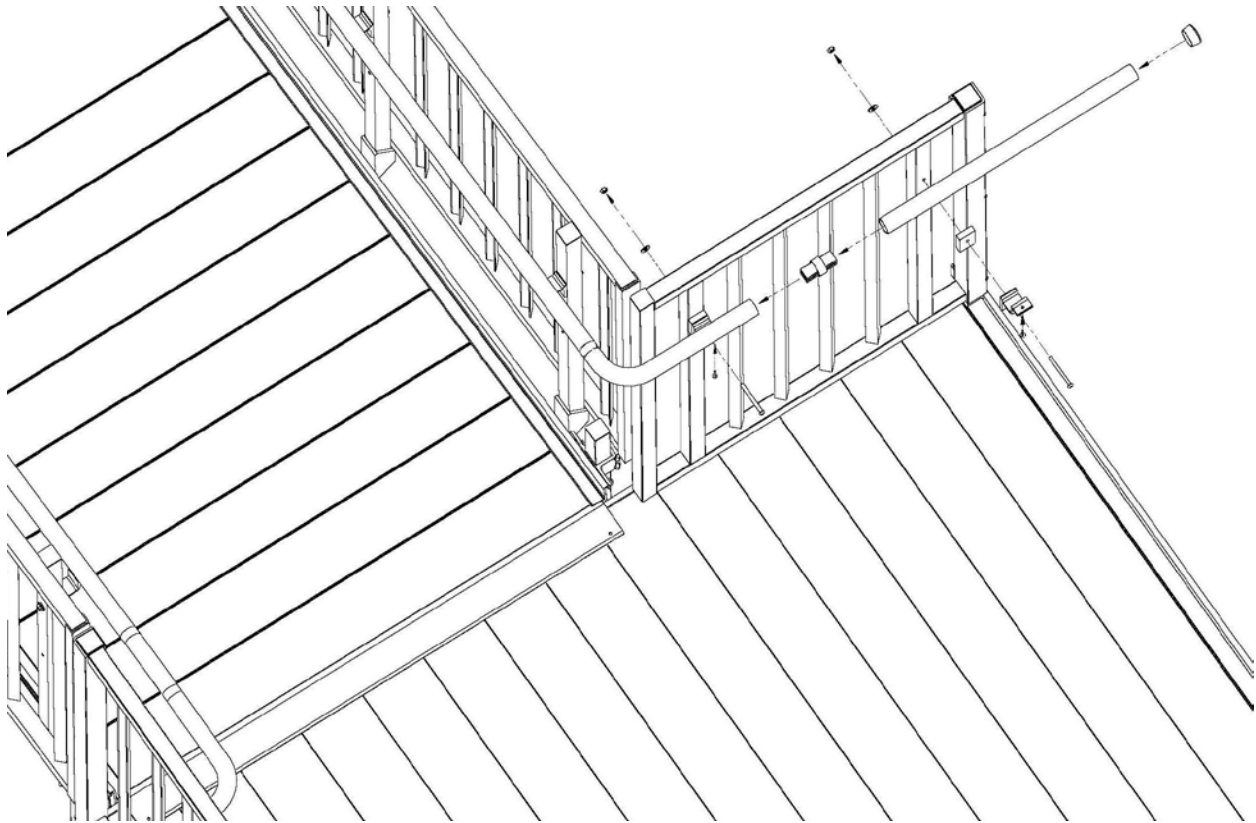


Fig. 5

4. CONNECTING HANDRAILS ON A TURN-BACK PLATFORM:

- 4.1 The handrails on the outside of 5' x 7' and 5' x 8' turn-back platforms are returned to a guard in the same manner as the 5' x 5' and 6' x 6' platforms. Refer to the main manual titled *Titan Series Commercial Ramp System Installation Manual* for installation instructions.
- 4.2 The handrail connection on the inside corner of 5' x 7' and 5' x 8' turn-back platforms begins in the same manner as the 5' x 5' and 6' x 6' platforms. Connect the 90° elbows to the ramp handrail using ring joiners as shown in Fig. 37 in the main manual titled *Titan Series Commercial Ramp System Installation Manual*.
- 4.3 Using additional ring joiners, connect the handrail extension stubs (provided with the guard filler sections for the 5' x 7' and 5' x 8' platforms) to the elbows and in the center. Trim the handrail extension stubs and elbows as needed (Fig. 6).
- 4.4 Attach four handrail brackets and spacers to the four square pickets in the guard filler section by drilling 5/16" holes through the square pickets and securing using four 5/16"-18 x 3" long button head bolts, nuts and washers.
- 4.5 Attach the elbows and handrail extension stubs to the handrail brackets using four 1/4" x 1" long self-drilling square drive screws.
- 4.6 Tighten all fasteners securely.

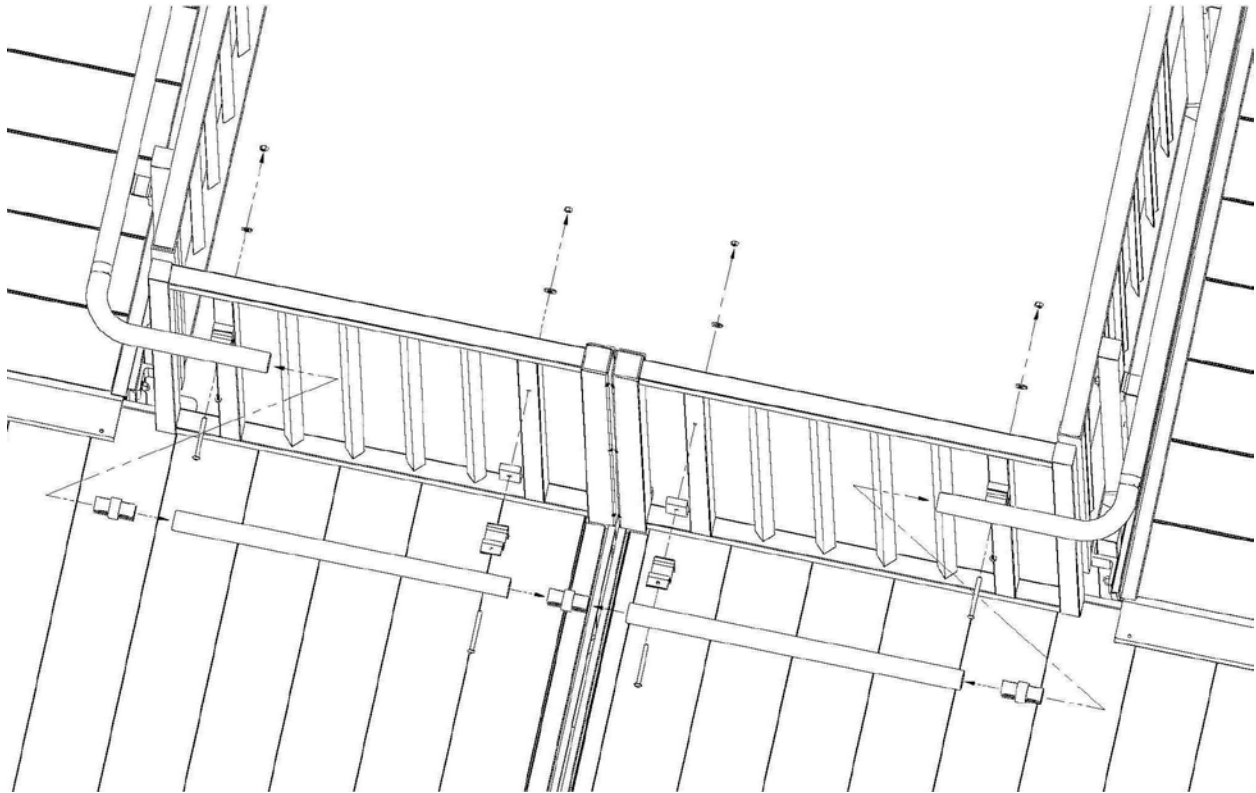


Fig. 6