



Heavy Duty Spare Tire Carrier OWNER'S MANUAL



WARNING:

Carefully read and understand all **ASSEMBLY AND OPERATION INSTRUCTIONS** before operating. Failure to follow the safety rules and other basic safety precautions may result in serious personal injury.

Model # TTF-08HD

Thank you very much for choosing this product! For future reference, please complete the owner's record below:

Model: _____ Purchase Date: _____

Save the receipt, the warranty, and these instructions. It is important that you read the entire manual to become familiar with this product before you begin using it.

This product is designed for certain applications only. The manufacturer cannot be responsible for issues arising from modification. We strongly recommend that this product not be modified and/or used for any application other than that for which it was designed. If you have any questions relative to a particular application, DO NOT use the product until you have first contacted us to determine if it can, or should, be performed on the product.

For technical questions, please call **1-218-943-6296**.

INTENDED USE

The Heavy Duty Spare Tire Carrier fits most trailer tongues up to 3" wide and 5" high and will accept from 4 holes to 8 holes. It allows you to easily mount your heavy duty spare tire up and away from the trailer.

TECHNICAL SPECIFICATIONS

Item	Description
Capacity	120 lbs.
Overall Dimensions	24" L x 12" H
Pre-drilled Holes	7/16"
Construction	Welded, heavy-duty steel

GENERAL SAFETY RULES



WARNING: Read and understand all instructions. Failure to follow all instructions listed below may result in serious injury.



CAUTION: Do not allow persons to operate or assemble this spare tire carrier until they have read this manual and have developed a thorough understanding of how the spare tire carrier works.



WARNING: The warnings, cautions, and instructions discussed in this instruction manual cannot cover all possible conditions or situations that could occur. It must be understood by the operator that common sense and caution are factors that cannot be built into this product, but must be supplied by the operator.

SAVE THESE INSTRUCTIONS

WORK AREA

- **Keep work area clean**, free of clutter, and well-lit. Cluttered and dark work areas can cause accidents.
- **Keep children and bystanders** away while operating a spare tire carrier. Distractions can cause you to lose control, so visitors should remain at a safe distance from the work area.

PERSONAL SAFETY

- **Stay alert**, watch what you are doing, and use common sense when using a spare tire carrier. Do not use a spare tire carrier while you are tired or under the influence of drugs, alcohol, or medication. A moment of inattention while operating a spare tire carrier may result in serious personal injury.
- **Dress properly**. Do not wear loose clothing, dangling objects, or jewelry. Keep your hair, clothing, and gloves away from moving parts. Loose clothes, jewelry, or long hair can be caught in moving parts.
- **Use safety apparel and equipment**. Use safety goggles or safety glasses with side shields that comply with current national standards or, when needed, a face shield. Use a dust mask if working in dusty work conditions. This applies to all persons in the work area. Also use non-skid, safety shoes, hardhats, gloves, dust collection systems, and hearing protection when appropriate.
- **Read and understand all instructions** and safety precautions as outlined in all manufacturers' manuals for the trailer you are using. Make sure to mount the Heavy Duty Spare Tire Carrier to the manufacturer's recommended mounting positions.

SPARE TIRE CARRIER USE AND CARE

- **Do not modify the Heavy Duty Spare Tire Carrier in any way**. Unauthorized modification may impair the function and/or safety and could affect the life of the equipment. There are specific applications for which the spare tire carrier was designed.
- **Always check for damaged or worn-out parts before using the Heavy Duty Spare Tire Carrier**. Broken parts will affect the Heavy Duty Spare Tire Carrier operation. Replace or repair damaged or worn parts immediately.
- **Do not exceed the Heavy Duty Spare Tire Carrier load capacity**.
- **Mount the Heavy Duty Spare Tire Carrier to balance evenly**. Uneven mounting may cause personal injury to the operator
- **Store idle spare tire carrier**. When spare tire carrier is not in use, store it in a secure place out of the reach of children. Inspect it for good working condition prior to storage and before re-use.

PRE-ASSEMBLY

1. Secure the unloaded trailer with wheel chocks (blocks) on a hard, flat surface capable of supporting the weight of the trailer, the Heavy Duty Spare Tire Carrier, and the required tools.
2. Raise the trailer tongue and secure it with two supports, one on each side of the trailer tongue.
3. Position the Mounting Bracket (#2) in a predetermined position against the side of the trailer tongue.

Note: The Heavy Duty Spare Tire Carrier should be located to the side of the trailer tongue.

Note: The angled Tire Mounting Plate should be positioned upward (above) the Trailer Tongue Plate (plate that attaches to the trailer tongue).



Trailer Tongue

ASSEMBLY

STEP 1:

Attach the two Mounting Brackets (#1) to the Carrier Body (#2). Place the Mounting Brackets (#1) (containing 6 holes) flat against the trailer tongue so that the edges of the Mounting Brackets (#1) curve out away from the trailer tongue. Insert four Hex Bolts (#5) through the Mounting Brackets (#1) as close to the trailer tongue as possible. Slide on four Flat Washers (#8), four Spring Washers (#7), and thread on four Nuts (#6). Use a torque wrench to tighten the Nuts (#6) to 90 ft. lbs.

STEP 2:

Mount the tire on the Carrier Body (#2) with the valve facing outward so that the tire air pressure can be checked at any time.

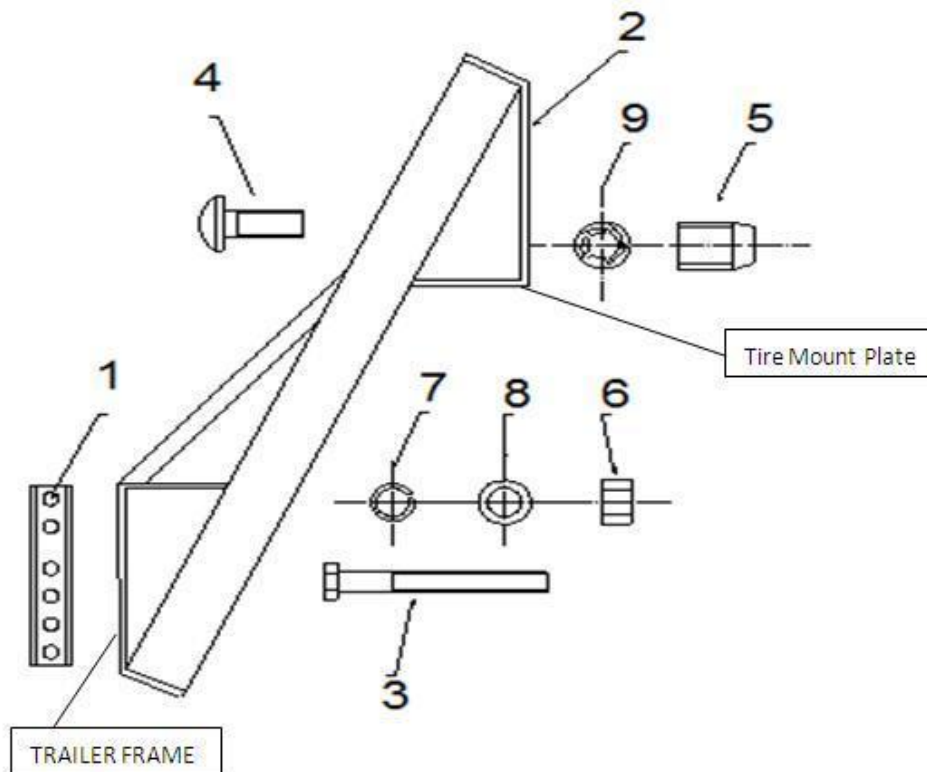
STEP 3:

Insert three Carriage Bolts (#4) through the back of the Tire Mounting Plate and through the wheel lug holes. Use three Retainer Clips (#9) and three Nuts (#5) to secure the tire in place. Securely tighten and torque all hardware to 90 ft. lbs.

MAINTENANCE

- **Maintain your Heavy Duty Spare Tire Carrier.** It is recommended that the general condition of any Heavy Duty Spare Tire Carrier be examined before it is used. Keep your Heavy Duty Spare Tire Carrier in good repair by adopting a program of conscientious repair and maintenance. If any abnormal vibrations or noise occurs, have the problem corrected before further use. Have necessary repairs made by qualified service personnel.

DIAGRAM & PARTS LIST



Part#	Description	Qty.	Part#	Description	Qty.
1	Mounting Bracket	2	6	Nut M7/16"	4
2	Carrier Body	1	7	Spring Washer 7/16"	4
3	Hex Bolt M7/16"x4-1/2"L	4	8	Flat Washer 7/16"	4
4	Carriage Bolt M1/2"x1-3/4L"	3	9	Retainer Clip 1/2"	3
5	Nut M1/2"	3			

For replacement parts and technical questions, please call **1-218-943-6296**.

WARRANTY

One-year limited parts warranty.



TG
 PO BOX 203
 Miltona, MN 56354