



Folding Receiver Work Bench

OWNER'S MANUAL



WARNING:

Read carefully and understand all **ASSEMBLY AND OPERATION INSTRUCTIONS** before operating. Failure to follow the safety rules and other basic safety precautions may result in serious personal injury.

Item# TTF-2422FWB

Thank you very much for choosing this product! For future reference, please complete the owner's record below:

Model: _____ Purchase Date: _____

Save the receipt, warranty and these instructions. It is important that you read the entire manual to become familiar with this product before you begin using it.

This product is designed for certain applications only. The manufacturer cannot be responsible for issues arising from modification. We strongly recommend this product not be modified and/or used for any application other than that for which it was designed. If you have any questions relative to a particular application, DO NOT use the product until you have first contacted us to determine if it can or should be performed on the product.

For technical questions please call **1-218-943-6296**.

INTENDED USE

Use as a work bench on the go and on the job.

TECHNICAL SPECIFICATIONS

Item	Description
Capacity	200 lbs
Work Bench Size	24" x 21-13/16"

GENERAL SAFETY RULES



WARNING: Read and understand all instructions. Failure to follow all instructions listed below may result in serious injury.



CAUTION: Do not allow persons to operate or assemble this Work Bench until they have read this manual and have developed a thorough understanding of how the Work Bench works.



WARNING: The warnings, cautions, and instructions discussed in this instruction manual cannot cover all possible conditions or situations that could occur. It must be understood by the operator that common sense and caution are factors which cannot be built into this product, but must be supplied by the operator.

SAVE THESE INSTRUCTIONS

WORK AREA

- **Keep work area clean**, free of clutter and well lit. Cluttered and dark work areas can cause accidents.
- **Keep children and bystanders** away while operating a Work Bench. Distractions can cause you to lose control, so visitors should remain at a safe distance from the work area.
- **Be alert of your surroundings.** Using a Work Bench in confined work areas may put you dangerously close to cutting tools and rotating parts.

PERSONAL SAFETY

- **Stay alert**, watch what you are doing and use common sense when using a Work Bench. Do not use a Work Bench while you are tired or under the influence of drugs, alcohol or medication. A moment of inattention while operating a Work Bench may result in serious personal injury.
- **Dress properly.** Do not wear loose clothing, dangling objects, or jewelry. Keep your hair, clothing and gloves away from moving parts. Loose clothes, jewelry or long hair can be caught in moving parts.
- **Use safety apparel and equipment.** Use safety goggles or safety glasses with side shields which comply with current national standards, or when needed, a face shield. Use a dust mask if working in dusty work conditions. This applies to all persons in the work area. Also use non-skid safety shoes, hardhat, gloves, dust collection systems, and hearing protection when appropriate.

Folding Receiver Work Bench USE AND CARE

- **Do not modify the Work Bench in any way.** Unauthorized modification may impair the function and/or safety and could affect the life of the equipment. There are specific applications for which the Work Bench was designed.
- **Always check for damaged or worn out parts before using the Work Bench.** Broken parts will affect the Work Bench operation. Replace or repair damaged or worn parts immediately.
- **Do not exceed the Work Bench load capacity.**
- **Distribute the load evenly.** Uneven loads may cause the Work Bench to tip, resulting in personal injury to the operator or others.
- **Use the Work Bench on flat and level surfaces** capable of supporting the Work Bench and its maximum load.
- **Store idle Work Bench.** When Work Bench is not in use, store it in a secure place out of the reach of children. Inspect it for good working condition prior to storage and before re-use.

ASSEMBLY

1. Install Frame (#13) with Screw (#11) and Spring Washer (#12).
2. Insert Frame (#13) into Receiver Tube (#5), tighten with Bolt (#6), Mount Plate (#7), Washer (#8), Spring Washer (#9) and Nut (#10) for suitable height.
3. Put Anti-Wobble Block (#2) into Receiver Tube (#5) with Screw (#1).
4. Insert Receiver Tube (#5) into vehicle, secure with Hitch pin (#4) and Clip (#3).
5. Tighten the Anti-Wobble Block (#2) to the hitch receiver with Screw (#1).

OPERATION



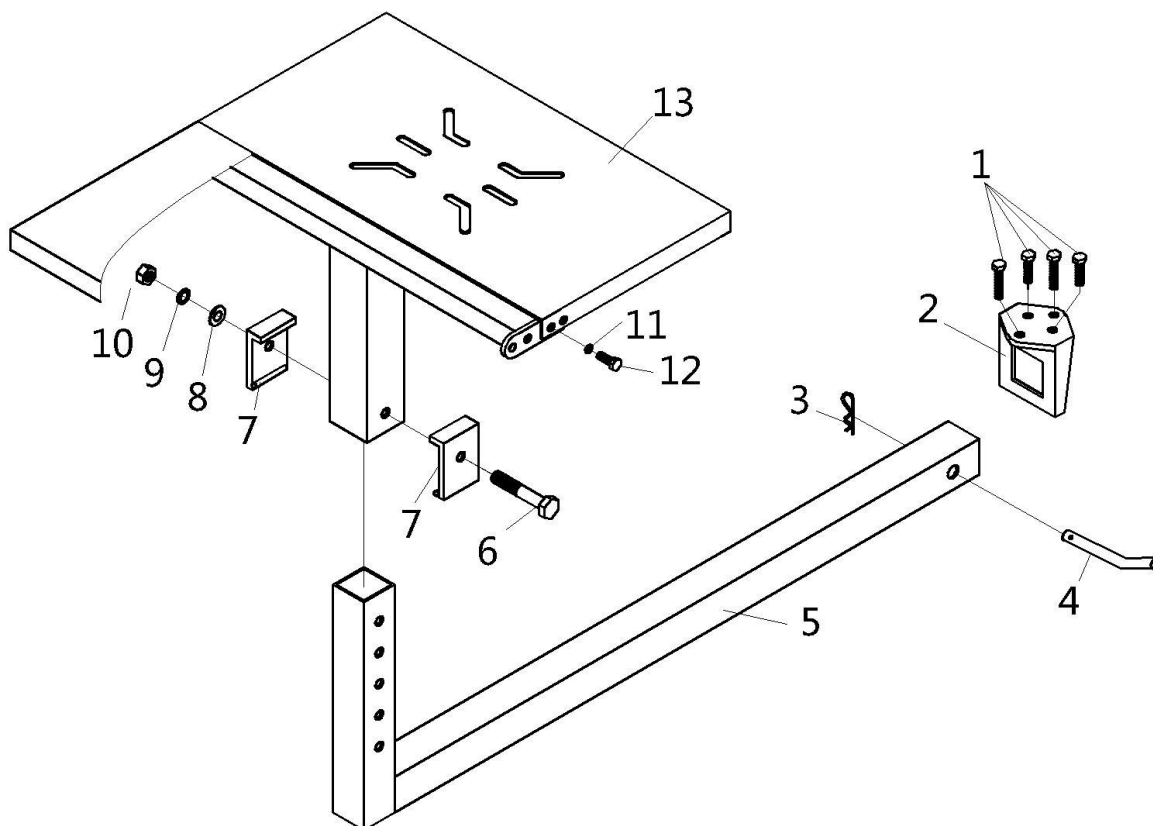
WARNING:

- Always secure the Work Bench as close to your vehicle as possible, minimizing the distance of the Work Bench and its load from your vehicle.
- Be aware of dynamic loading! Dropping or bouncing a load may briefly create excess load, causing personal injury and/or product failure.
- Turn off the vehicle's ignition and set the parking brake before loading an object onto the Work Bench or unloading.
- Keep the Work Bench clean and dry at all times.
- Only use the Work Bench with a properly installed Class III or Class IV 2 inch hitch receiver capable of supporting the Work Bench and its load.

MAINTENANCE

- **Maintain your Work Bench.** It is recommended that the general condition of any Work Bench be examined before it is used. Keep your Work Bench in good repair by adopting a program of conscientious repair and maintenance. If any abnormal vibrations or noise occurs, have the problem corrected before further use. Have necessary repairs made by qualified service personnel.

DIAGRAM & PARTS LIST



Part#	Description	Qty.	Part#	Description	Qty.
1	Screw M10X40	4	2	Anti-Wobble Block	1
3	Clip Φ 4	1	4	Hitch Pin Φ 5/8"	1
5	Receiver Tube	1	6	Bolt M12x120	1
7	Mount Plate	2	8	Washer 12	1
9	Spring Washer 12	1	10	Nut M12	1
11	Screw M10X20	4	12	Spring Washer 10	4
13	Frame	1			

For replacement parts and technical questions, please call **1-218-943-6296**.

WARRANTY

One-year limited parts warranty



PO BOX 203
Miltona, MN 56354

MADE IN CHINA