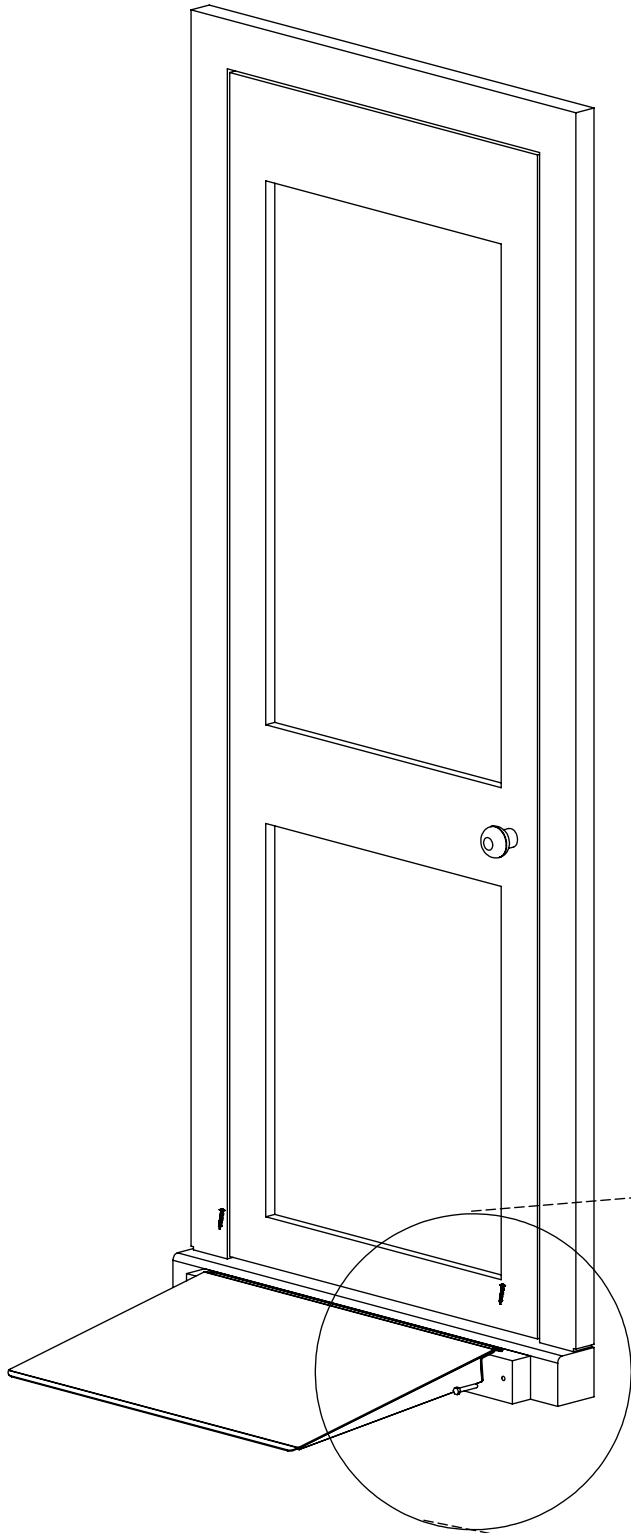
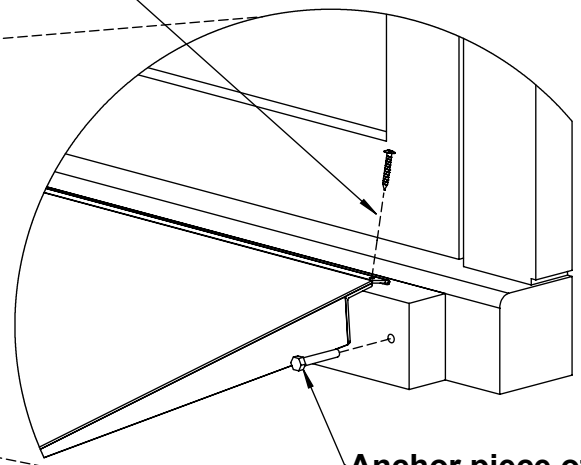


Threshold Application

Note: If the bottom of the door drags on the threshold or if the threshold prevents the door from opening, anchor an appropriately sized piece of wood to the exterior of the home as shown and secure the threshold to it with the hardware provided.



Secure threshold to the piece of wood with hardware provided



Anchor piece of wood to house securely