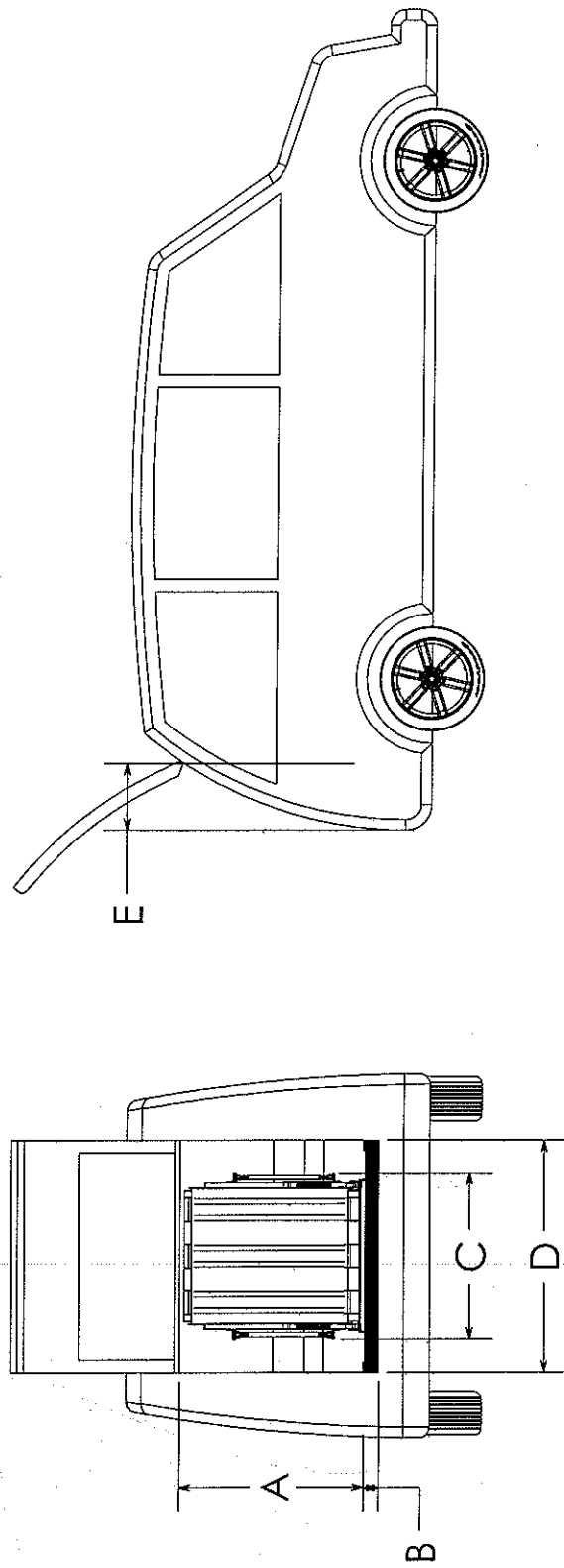


VAN RAMP INSTALLATION INSTRUCTIONS



Determine dimension "A" by measuring from van floor to top of door opening then subtracting height of threshold (if present) dimension "B". Conversion kit may be required if threshold is present.

Minimum Dimensions Required				
Model	A	D	E	
VAN727	37"	34"	18"	
VAN827	41"	34"	18"	

Set folded ramp in van doorway making sure ramp has clearance on both sides. Ramp should clear rear door by a minimumum 1/4" when closed.

Mark ramp mounting plate location on van floor. Remove ramp and drill four 7/16" holes through van floor. (make sure that no wires, brake lines, fuel lines, tanks etc. will be disturbed) Set ramp back in van using holes in floor as template, mark underside of mounting plate. Drill four 7/16" holes in mounting plate.

Bolt ramp in place using four 5/16" x 2" bolts and self-locking nuts. Make sure to use flat washers on underside of van floor.