

Warning

A warning indicates a potentially hazardous situation which, if not avoided, could result in death or serious injury.

1. Read all instructions and save them for later reference.
2. Follow all warnings and instructions marked on the product.
3. Do not stand on the Versa-Haul.
4. Do not ride any vehicle during loading.
5. Store Versa-Haul carrier in a safe place.
6. Do not exceed vehicle tongue weight rating.
7. VH-JS carrying capacity is **limited to 500 lbs. max.** Your vehicle suspension and hitch may limit the hauling capacity of the carrier. For more information on vehicles and hauling capacities, visit www.versahaul.com.
8. Improper use of carrier could result in death or serious injury.
9. Do not put Versahaul onto a 5th wheel trailer or any other kind of trailer.
10. **The VH-JS is designed for stand up model jet skis and will not support larger sit down style wave runners, please do not attempt to carry more than carrier can safely hold.**

Manufacturer Information

Manufacturer's Name: BNK, Inc.

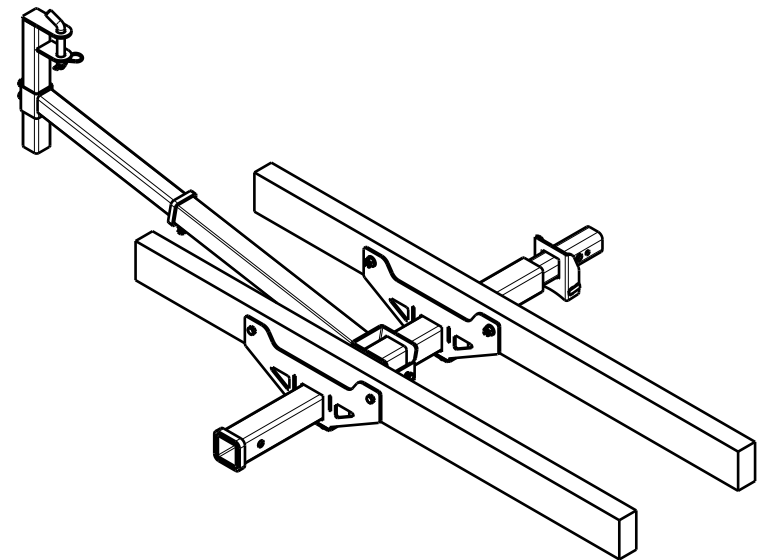
Manufacturer's Address:

BNK, Inc.
9341 S. St. Rd. 39
Winamac, IN 46996
(574) 278-7149

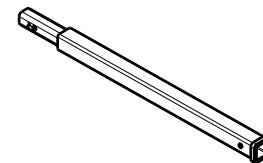
Product Name: Versa-Haul
Product Description: Jet-Ski Carrier
Model Number(s): VH-JS

Serial number _____
(please fill in serial number affixed to Versa-Haul)

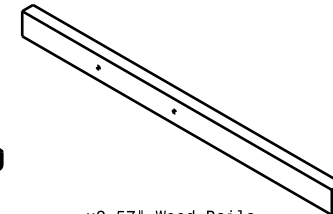
VH-JS INSTRUCTION BOOKLET



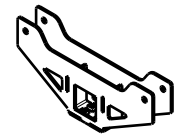
PARTS LIST:



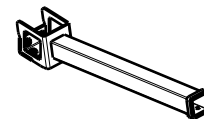
x1 Main Tube



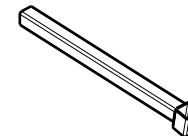
x2 57" Wood Rails



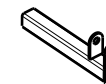
x2 Center Bracket



x1 Arm-Base Tube



x1 Arm Tube



x1 Holder Tube



x1 Anti-Tilt Bracket



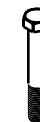
x1 Hitch Pin
x1 Cotter Pin



x12 3/8"x1" bolt



x4 3/8"x3/4" bolt



x4 7/16"x3" bolt

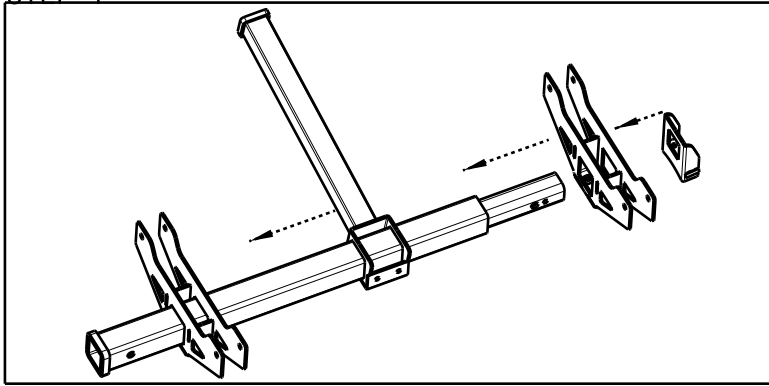


x4 7/16" washer



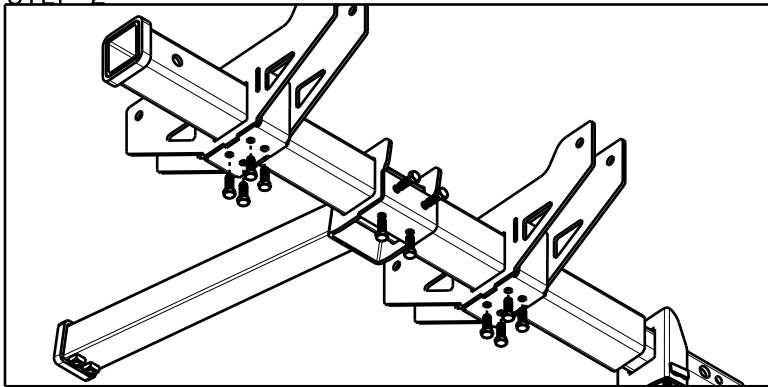
x4 7/16" nut

STEP 1



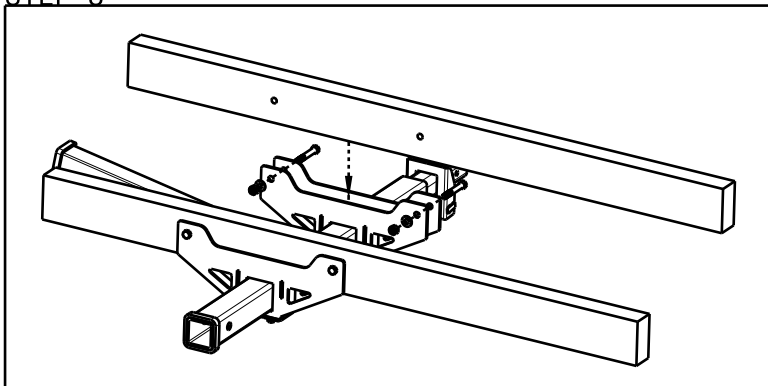
Insert the Center Brackets, Arm-Base Tube, and Anti-tilt Bracket onto the Main Tube in the order as shown.

STEP 2



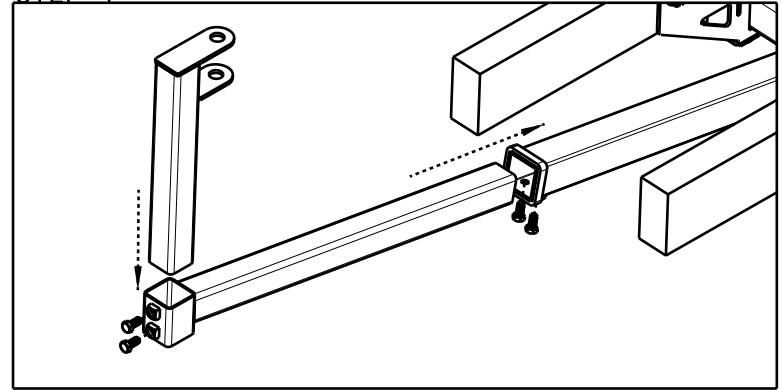
Tighten the 3/8"x1" bolts onto the Center Brackets and the Arm-Base Tube. The Center Brackets and Arm-Base Tube positions can be rearranged to fit your Jet-ski.

STEP 3



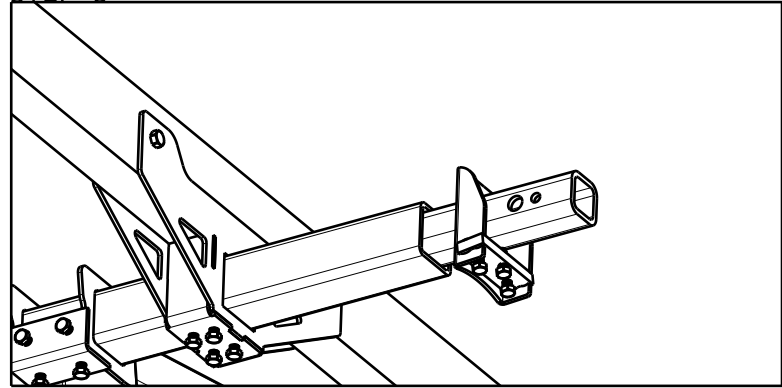
Insert the wood blocks onto the Center Brackets and secure them using the 7/16"x3" Bolts, 7/16" Washers, and 7/16" Nuts.

STEP 4



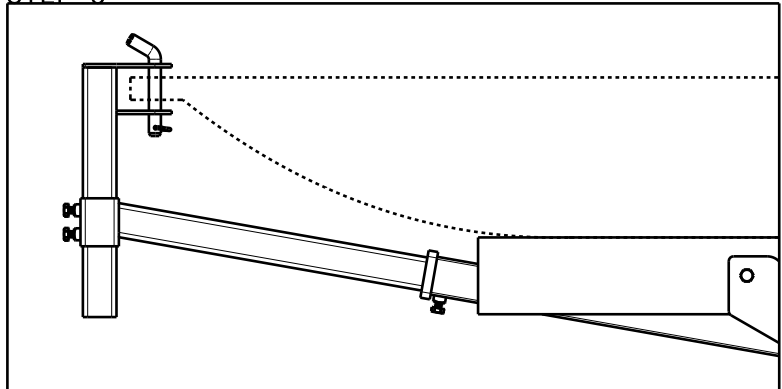
Assemble the Holder Tube, Arm Tube, onto the Arm-Base Tube as shown. Tighten them using the 3/8"x3/4" Bolts. The position of the Arm Tubes can be rearranged to fit your Jet-ski.

STEP 5



Insert the carrier into your hitch receiver. Once the carrier is secured with your hitch pin, push the anti-tilt bracket against the lip on your hitch receiver and tighten the 3/8" bolts, sides first, followed by the middle one.

STEP 6



The VH-JS can be adjusted to fit your personal Jet-ski. Once loaded, the jet-ski can be secured using the Hitch Pin and the Cotter Pin.