

# Warning

A warning indicates a potentially hazardous situation which, if not avoided, could result in death or serious injury.

1. Read all instructions and save them for later reference.
2. Follow all warnings and instructions marked on the product.
3. Do not stand on the Versa-Haul.
4. Do not ride any vehicle during loading.
5. Store Versa-Haul carrier in a safe place.
6. Do not exceed vehicle tongue weight rating.
7. Only use with class III hitch.  
Most class III hitches limit Versa-Haul to 500 lbs. total hauling capacity.
8. Improper use of carrier could result in death or serious injury.
9. Do not put Versahaul onto a 5th wheel trailer or any other kind of trailer.
10. **VH-LG carrying capacity is limited to 700 lbs. max. Your vehicle suspension and hitch may limit the hauling capacity of the carrier.** For more information on vehicles and hauling capacities, visit [www.versahaul.com](http://www.versahaul.com)

## Manufacturer Information

Manufacturer's Name: BNK, Inc.

Manufacturer's Address:

BNK, Inc.  
9341 S. St. Rd. 39  
Winamac, IN 46996  
(574) 278-7149

Product Name: Versa-Haul

Product Description: Lawn & Garden Carrier

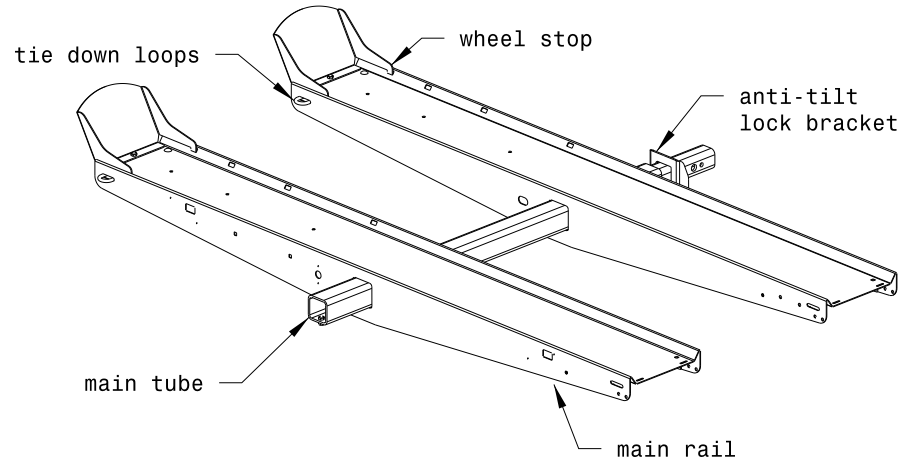
Model Number(s): VH-LG

Serial number \_\_\_\_\_

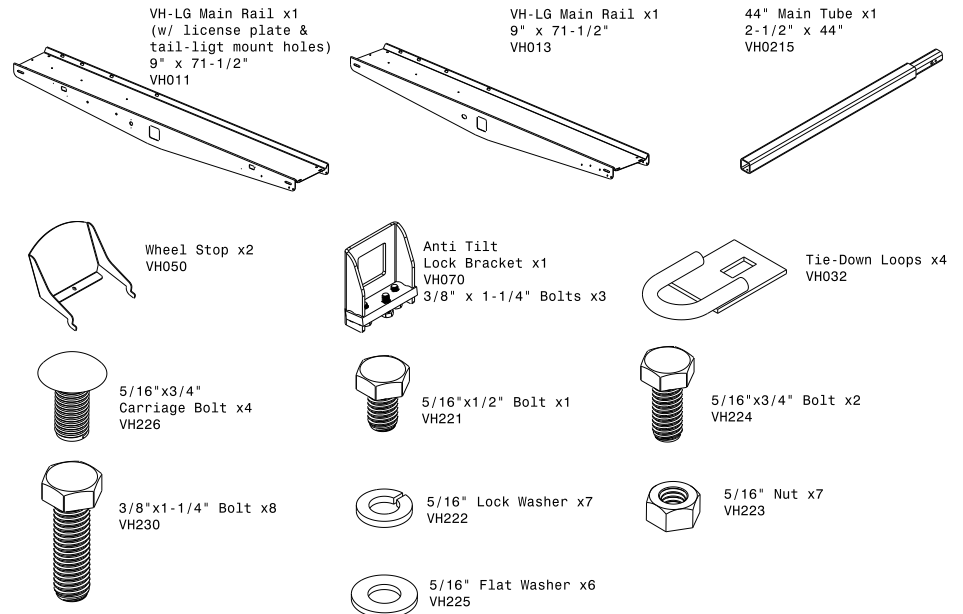
(please fill in serial number affixed to Versa-Haul)

## VH-LG Instruction Booklet

\*VH-LG RK:Ramp Kit Instructions on separate sheet

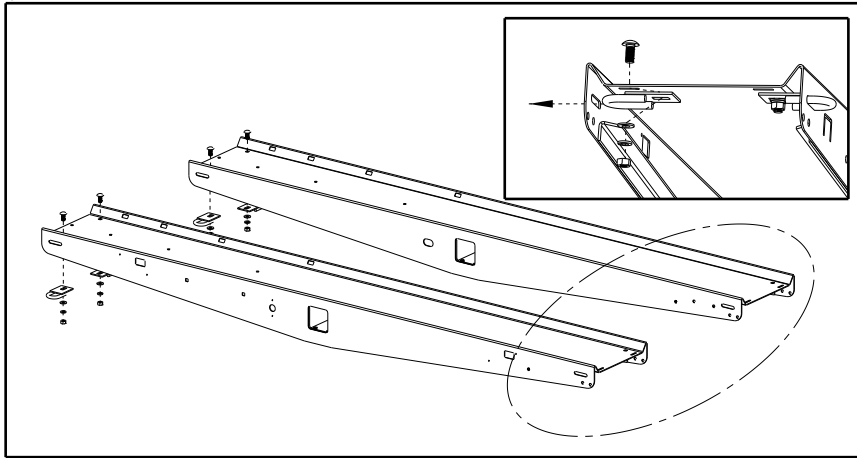


### Parts:



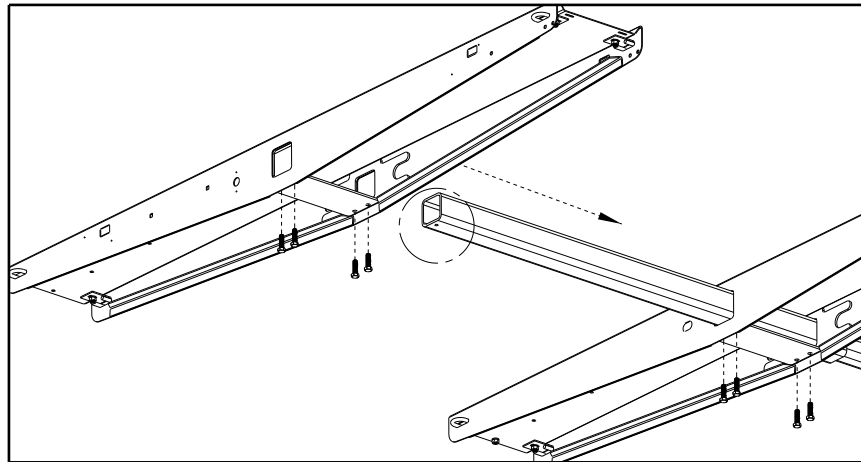
Tools Needed: 9/16" Socket, 1/2" Wrench - for VH-LG Rails  
7/16" Wrench - for VH-LG RK:Ramp Kit

### STEP 1



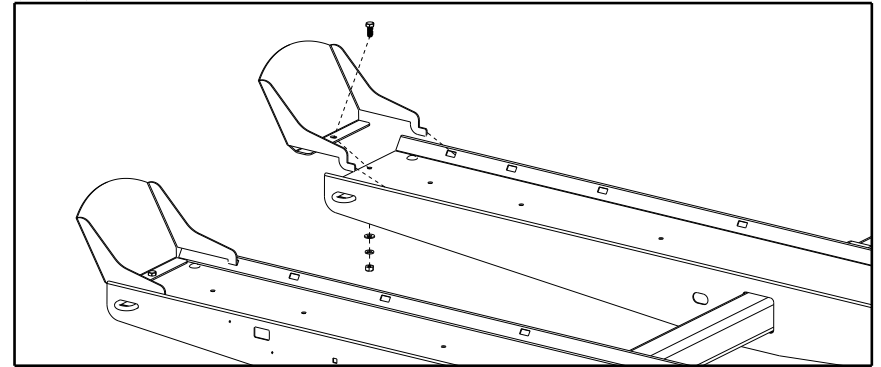
Insert the Tie Down Loops into the Main Rail and fasten them with the 5/16" x 3/4" Carriage Bolts, Flat Washers, Lock Washers, and Nuts in that order. Insert the Loops from the inside of the rail. If you have the VH-LG RK:Ramp Kit, the circled area is where you install the ramp brackets.

### STEP 2



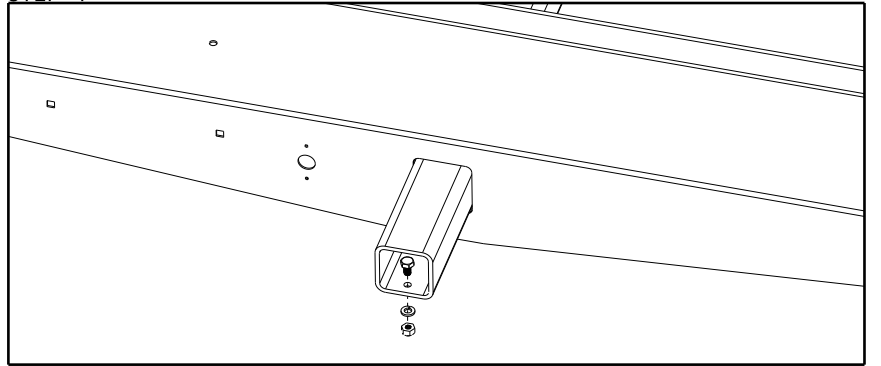
Insert the Main Tube into the Main Rails. Make sure the main rail with tail-light mount holes and license plate holes is to the rear when on vehicle. Slide the main rails to desired spacing and lock tight with the 3/8"x1-1/4" Bolt. Make sure that the hole on the Main Tube (circled) is on the same side as the 3/8"x1-1/4" Bolts.

### STEP 3



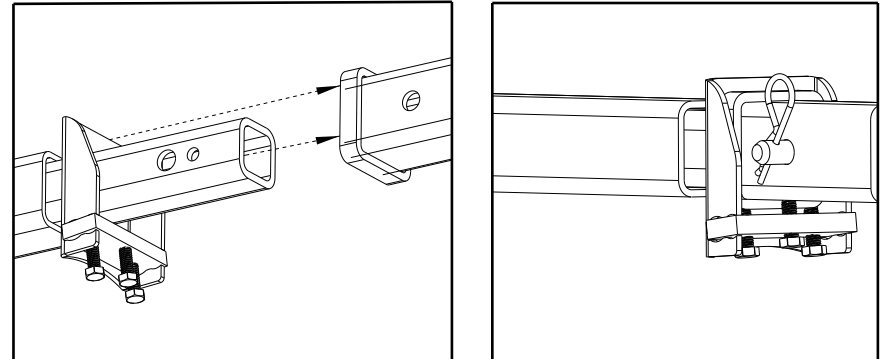
Insert the Wheel Stop into the slots on the top of the Main Rail at the appropriate position and fasten with 5/16" Bolt, Flat Washer, Lock Washer, and Nut.

### STEP 4



As a safety precaution, install the 5/16"x1/2" Bolt into the end of the Main Tube. Lock the Bolt into place with a Lock Washer and Nut.

### STEP 5



To attach the assembled VersaHaul to your class III or IV 2" receiver, first place the Anti-Tilt Lock Bracket as shown on the Main Tube. Be sure the flat side of the Bracket is facing the carrier. Insert the unit into your receiver. Insert hitch pin and on opposite side insert hair pin. Push the Lock Bracket all the way against the receiver then tighten all three 3/8"x1-1/4" hex head screws with the 9/16" Socket.