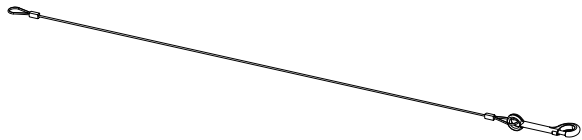
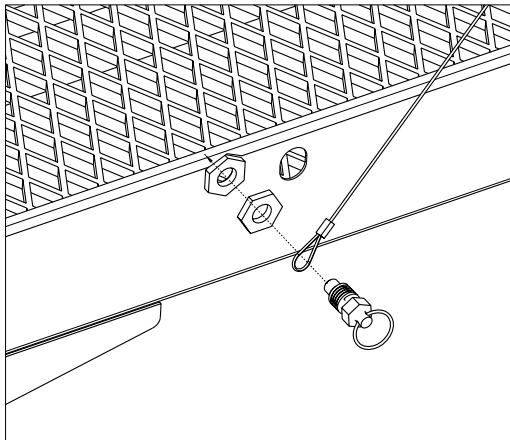


Safety Lanyard Instructions



STEP 1

- Secure the Lanyard to the Pull Pin on the VH-MS Tray as shown.



STEP 2

- Push the small button on the snap-hook and latch over the expanded metal on the ramp when the ramp is in its standing position as shown. Extend the lanyard as far as possible before latching.
- Remove the hook when the ramp is stored flat on the tray, or when extended out. The Lanyard can be hooked on the ring of the pull pin when not in use such that it does not touch the ground.

