



Viking SOLUTIONS

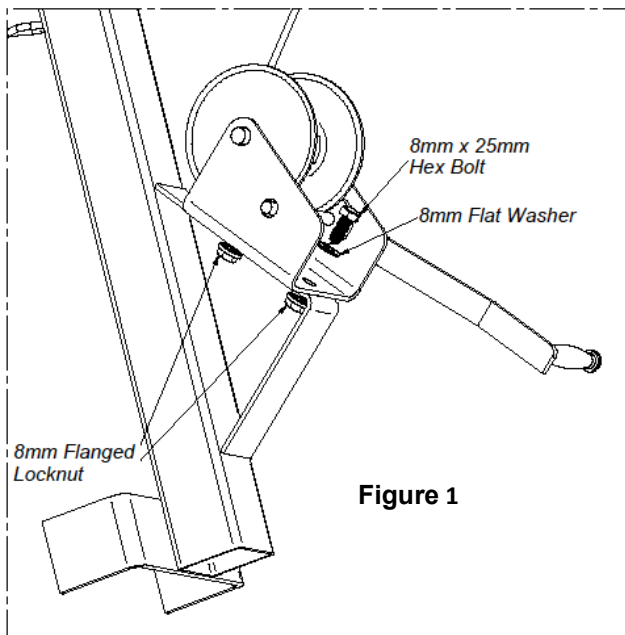
Kwik-Hoist Tree Mounted Game Hoist

Assembly and Use Instructions

Assembly Tools Required:
Slip Joint or Vice-Grip Pliers
13mm Box or Open End Wrench

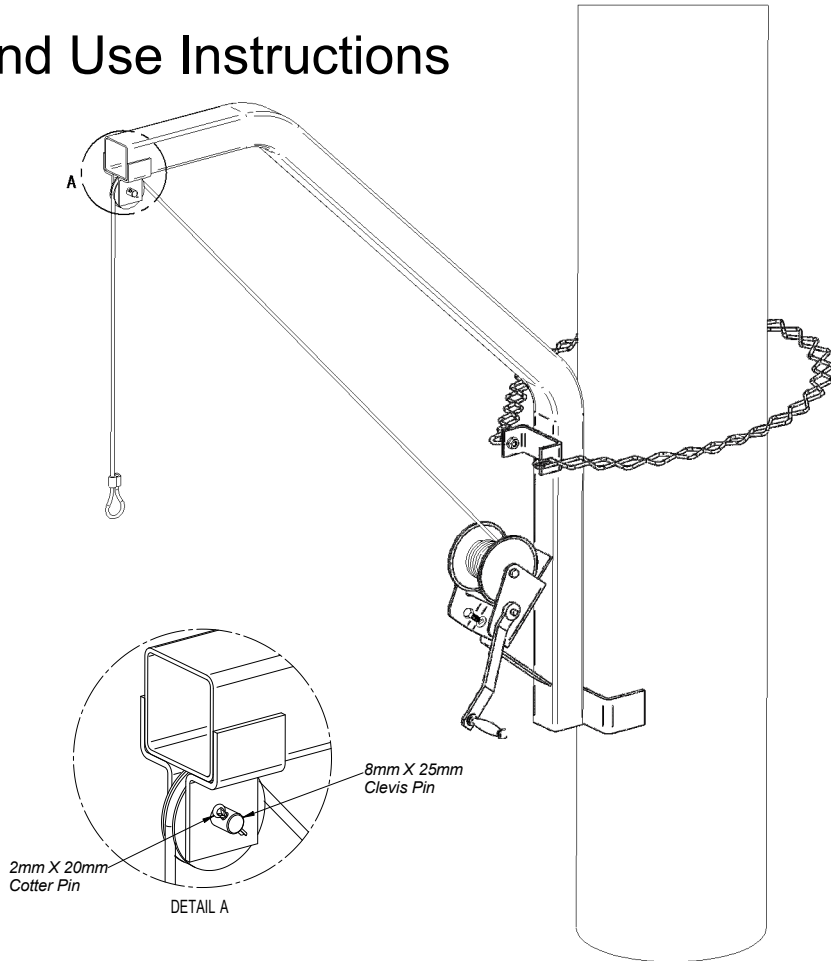
Step 1: Mounting the Cable Winch

The winch is mounted to the winch bracket using two 8mm hex bolts, two flat washers and two flanged locknuts. Mount the winch to the bracket as shown in figure 1. Tighten the hex bolts securely.



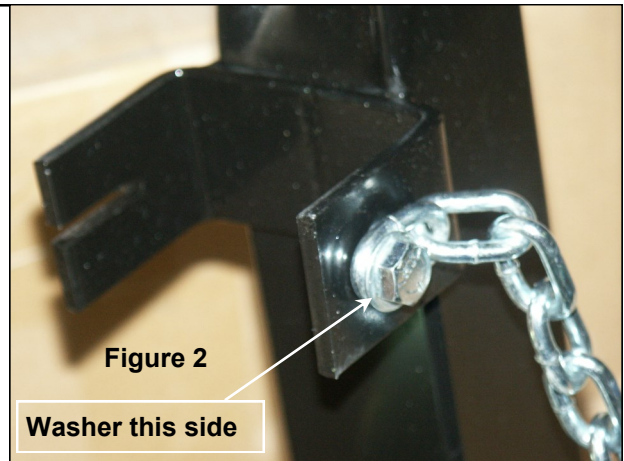
Step 2: Pulley Attachment

Position the cable around the pulley as shown in Detail A. Align the pulley between the pulley brackets and insert the 8mm Clevis Pin through the bracket and pulley. Secure the pin using the 2mm Cotter Pin and flare one side of the pin using pliers.



Step 3: Chain Attachment

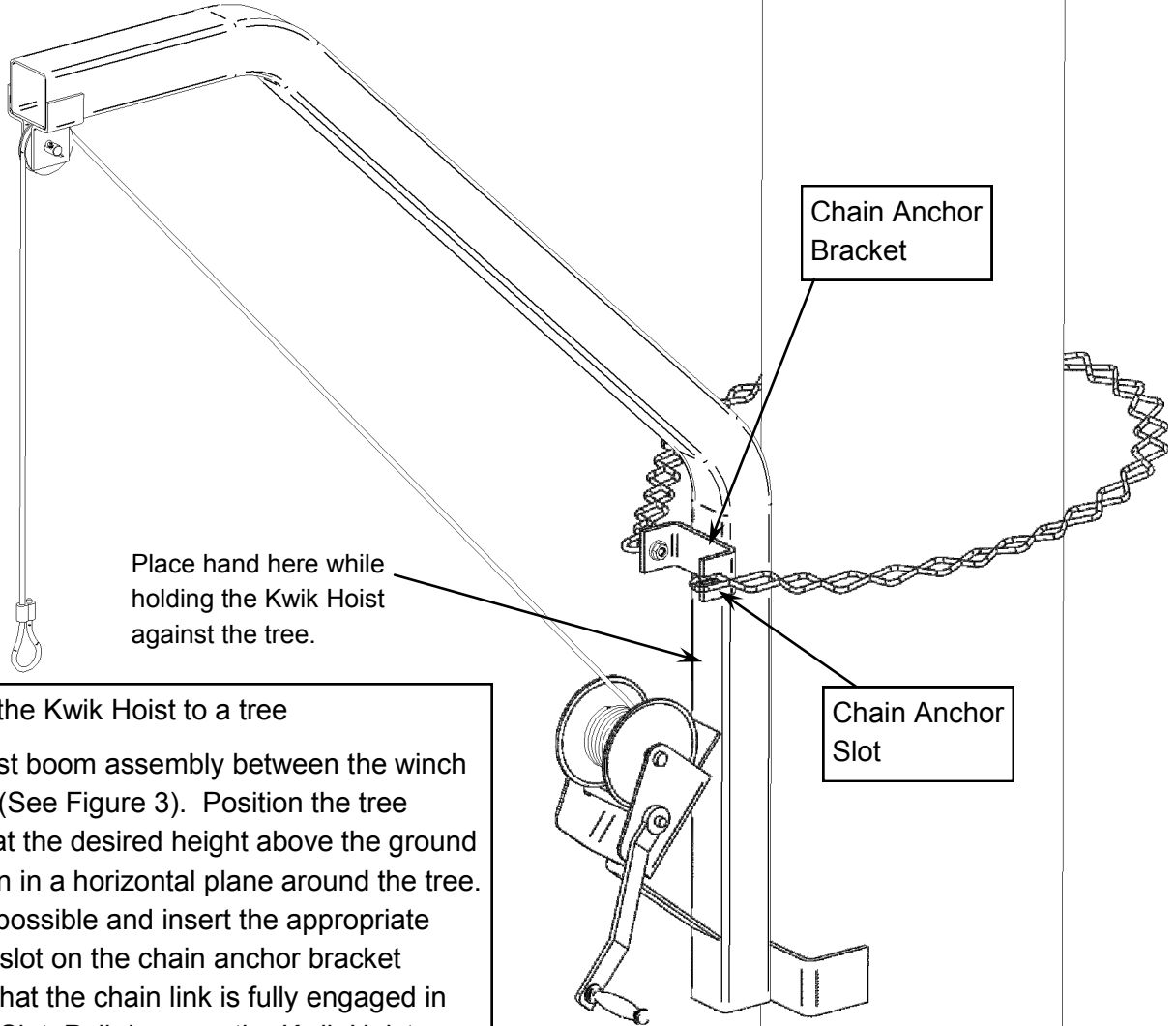
Attach one end of the tree chain to the hole in the chain anchor bracket using one 8mm hex bolt, washer and nylon insert locknut. Be certain the washer is on the chain side as shown in figure 2. Tighten the nut securely.



Tighten the nut securely.

Instructions for using the Kwik Hoist

Warning: Failure to read and follow all instructions may result in serious injury or death. Do not exceed the maximum capacity of 300 Lbs. Use only for lifting harvested game animals. Minimum tree diameter is 7". Do not use on trees larger than the chain length provided. Always verify the anti-reverse ratchet lever is properly engaged before lifting.



Step 1: Attaching the Kwik Hoist to a tree

Hold the Kwik Hoist boom assembly between the winch and cable anchor (See Figure 3). Position the tree stand-off bracket at the desired height above the ground and wrap the chain in a horizontal plane around the tree. Remove all slack possible and insert the appropriate chain link into the slot on the chain anchor bracket (Figure 3). Verify that the chain link is fully engaged in the Chain Anchor Slot. Pull down on the Kwik Hoist assembly to securely bind the hoist to the tree.

Step 2: Attach your gambrel (not included) to the cable winch hook. Be sure the hook safety latch securely closes behind the gambrel. Disengage the anti-reverse ratchet and lower the gambrel as necessary to connect your game animal. Engage the anti-reverse ratchet and lift the animal to the desired height using the hand winch.

Always disconnect the Kwik Hoist from the tree when not in use and store appropriately. Call or email with any questions regarding the use of this product.