

48 in. DELUXE ALUMINUM CARGO CARRIER WITH RAMP

OWNER'S MANUAL



WARNING:

Read carefully and understand all **ASSEMBLY AND OPERATION INSTRUCTIONS** before operating. Failure to follow the safety rules and other basic safety precautions may result in serious personal injury.

WCC-500A

Thank you for purchasing the WCC-500A Deluxe Aluminum Cargo Carrier with Ramp. For future reference, please complete the owner's record below:

Model: _____ Purchase Date: _____

Save the receipt, warranty and these instructions. It is important that you read the entire manual to become familiar with this product before you begin using it.

This equipment is designed for certain applications only. The manufacturer is not responsible for issues arising from its modification and strongly recommends that it not be modified and/or used for any application other than that for which it was designed. If you have any questions relative to a particular application, DO NOT use the equipment until you first contact the place of purchase to determine if it can or should be performed on the product.

TECHNICAL SPECIFICATIONS

Capacity	500 lbs. (227kg)
Construction	Extruded aluminum carrier and ramps. Formed steel hitch and hitch plate. Carbon steel hardware. Thermoplastic end caps.
Vehicle Hitch Receiver Size	2 in. (5cm) (Vehicle hitch requires a Class III or Class IV tow rating.)

GENERAL SAFETY RULES



WARNING: Read and understand all instructions. Failure to follow all instructions listed below may result in serious injury.



CAUTION: Do not allow persons to operate or assemble this aluminum cargo carrier until they have read this manual and have developed a thorough understanding of how the aluminum cargo carrier works.



WARNING: The warnings, cautions, and instructions discussed in this instruction manual cannot cover all possible conditions or situations that could occur. It must be understood by the operator that common sense and caution are factors which cannot be built into this product, but must be supplied by the operator.

SAVE THESE INSTRUCTIONS

WORK AREA

- **Keep work area clean**, free of clutter and well lit. Cluttered and dark work areas can cause accidents.
- **Keep children and bystanders** away while operating the aluminum cargo carrier. Distractions can cause you to lose control, so visitors should remain at a safe distance from the work area.
- **Be aware of all power lines, electrical circuits**, water pipes and other mechanical hazards in your work area, particularly those hazards below the work surface hidden from the operator's view that may be unintentionally contacted and may cause personal harm or property damage.
- **Be alert of your surroundings**. Using the aluminum cargo carrier in confined work areas may put you dangerously close to cutting tools and rotating parts.

PERSONAL SAFETY

- **Stay alert**, watch what you are doing and use common sense when using the aluminum cargo carrier. Do not use the aluminum cargo carrier while you are tired or under the influence of drugs, alcohol or medication. A moment of inattention while operating an aluminum cargo carrier may result in serious personal injury.
- **Dress properly**. Do not wear loose clothing, dangling objects, or jewelry. Keep your hair, clothing and gloves away from moving parts. Loose clothes, jewelry or long hair can be caught in moving parts.
- **Use safety apparel and equipment**. Use safety goggles or safety glasses with side shields which comply with current national standards, or, when needed, a face shield. Use a dust mask in dusty work conditions. This applies to all persons in the work area. Also use non-skid safety shoes, hardhat, gloves, a dust collection system, and hearing protection when appropriate.

ALUMINUM CARGO CARRIER USE AND CARE

- **Do not modify the aluminum cargo carrier in any way**. Unauthorized modification may impair the function and/or safety and could affect the life of the equipment. There are specific applications for which the aluminum cargo carrier was designed.
- **Always check for damaged or worn out parts before using the aluminum cargo carrier**. Broken parts will affect the aluminum cargo carrier's operation. Replace or repair damaged or worn parts immediately.
- **Do not exceed the aluminum cargo carrier load capacity**.
- **Distribute the load evenly**. Uneven loads may cause the aluminum cargo carrier to tip, resulting in personal injury to the operator or others. To minimize the effects of dynamic loading, make sure the load is centered on the carrier.
- **Use the aluminum cargo carrier on flat and level surfaces** capable of supporting the aluminum cargo carrier and its maximum load. Pulling or pushing a load on a slanted or uneven surface can result in loss of control.
- **Prior to transporting a load**, make sure the ramp of the carrier is folded and secured. The load itself must also be properly secured to the carrier.
- **Storing the aluminum cargo carrier**. When the aluminum cargo carrier is not in use, store it in a secure place out of the reach of children. Inspect it for good working condition prior to storage and before re-use.



WARNING! Flammable cargo can ignite from exposure to heat. Be aware of the possible fire risk and property damage resulting from the vehicle's exhaust system pointing at or running near the cargo in the carrier. Do not use if this condition exists.

ASSEMBLY

Carrier Assembly

Read the entire Important Safety Information section at the beginning of this manual including all text under subheadings therein prior to setup or use of this product. **Note: For additional information regarding the parts listed in the following pages, refer to Parts List and Assembly Diagram in the manual.**

1. Set Bed (32) on a flat, secure work area able to support weight of Carrier.
2. Use Small Bolts (12) and Nuts (13) to connect all Supports (28-31) to Bed. **Note: Do not fully tighten Bolts, and make sure Supports with Reflectors (31) are on the same side.**
3. Use small Bolts and Nuts to connect Top Frame (1) to top of Supports. **Note: Make sure the ends of the Top Frame face the open side.**
4. Use wrench and/or screwdriver (sold separately) to tighten all Bolts and Nuts until Carrier Bed frame is secure.
5. With assistance, flip over Carrier Bed frame and use Bolts (22, 25), Washers (23) and Nuts (24) to fasten Hitch Bar (26) to Carrier Bed's underside. **Note: Make sure the Hitch Bar extension is OPPOSITE the side of the Bed with the reflectors. All Bolts should be tightened securely.**
6. Use Washers (3) and Nuts (4) to attach Tie Down Hooks (2) to each corner of Carrier Bed. **Note: Make sure all Bolts are tightened securely.**
7. Use Large Bolts (10) and Lock Nuts (9) to attach Ramp (6) to open side of Carrier Bed. **Note: Do not over tighten connections. There should be enough give to allow the Ramp to pivot freely.**
8. Swing Ramp up, and use Pins (11) and Lock Pins (8) to lock Ramp in upright position.

Mounting Carrier to Hitch Receiver

1. Remove Hitch Pin (17) and Lock Pin (18) from front of Hitch Bar (26).
2. Slide Anti-Tilt Bracket (16) over end of Hitch Bar. Make sure large, open end of Anti-Tilt Bracket faces hitch receiver on car **and bolts face downward.**
3. With assistance, lift empty Carrier and slide open end of Hitch Bar into hitch receiver. Secure it with Hitch Pin (17) and Lock Pin (18).
4. Slide Anti-Tilt Bracket (16) up against hitch receiver. Tighten the two bolts against underside of hitch receiver collar.


OPERATION

1. Pull Pin (11) to unlock Ramp.
2. Turn down Ramp and make sure end of Ramp (6) rests flat on solid, level surface when loading and unloading equipment. Secure load in place using appropriate tie downs, ropes, etc. (not included). **Do not exceed the 500 lbs. maximum weight capacity. Weight inside the Carrier should be evenly distributed.**
3. Turn up Ramp and secure with Pins (11) and Lock Pins (8) to lock Ramp in upright position. The Carrier is now ready to transport a load.

IMPORTANT: Maintain labels and nameplates on the Carrier. These contain important safety information. If unreadable or missing, contact your supplier for a replacement.



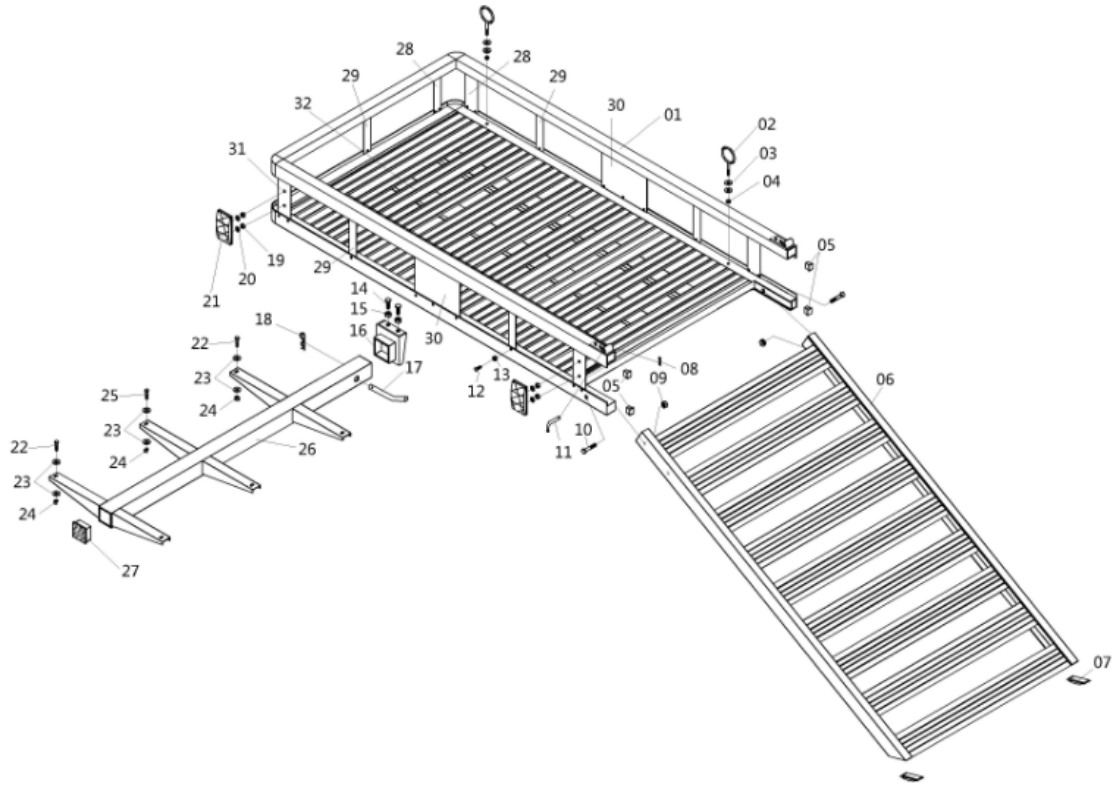
WARNING: NEVER impede or block vehicle exhaust. Always keep exhaust pipe and exhaust path clear.

1. This Carrier has a maximum weight capacity of **500 lbs.** Do not exceed the 500 lb capacity.
2. Always secure the Carrier as close to your vehicle as possible, minimizing the distance of the Carrier and its load from your vehicle.
3. Beware of dynamic loading! Dropping or bouncing a load may briefly create excess load, causing personal injury and/or product failure.
4. Inspect before use, including all bolts and nuts in the Carrier. Do not use if damaged.
5. Turn off the vehicle's ignition and set the parking brake before loading an object onto the Carrier or unloading.
6. Review and understand all instructions and warnings set forth by the manufacturer of the vehicle that the carrier will be used with.
7. The ends of the Carrier's Ramps (6) must rest flat on a solid, level surface when loading and unloading an object.
8. Keep the Carrier clean and dry at all times.
9. This product is not a toy. Keep it out of reach of children.
10. Never ride a motorized object (powered scooters, lawn tractors, ATVs, etc.) onto or off the Carrier. Only load/unload with the motorized object **empty** of cargo and people.
11. Follow D.O.T. (Department of Transportation) guidelines for installation and use.
12. Secure the load on the Carrier with ropes, and/or tie downs (not included) before transporting.
13. Only use the Carrier with a properly installed **Class III or Class IV** 2 inch hitch receiver capable of supporting the Carrier and its load.
14. The warnings, precautions, and instructions discussed in this manual cannot cover all possible conditions and situations that may occur. It must be understood by the operator that common sense and caution are factors which cannot be built into this product, but must be supplied by the operator.
16.  **WARNING! Flammable cargo can ignite from exposure to heat.** Be aware of the possible fire risk and property damage resulting from the vehicle's exhaust system pointing at or running near the cargo in the carrier. Do not use if this condition exists.

MAINTENANCE

- **Maintain your aluminum cargo carrier.** It is recommended that the general condition of any aluminum cargo carrier be examined each time before it is used. Keep your aluminum cargo carrier in good repair by adopting a program of conscientious repair and maintenance. If any abnormal vibrations or noise occur, have the problem corrected before further use. Have necessary repairs made by qualified service personnel.
 - **BEFORE EACH USE**, inspect the general condition of the Carrier. Check misalignment, loose or damaged parts and any other condition that may affect its safe operation.
 - **BEFORE EACH USE**, make sure any dirt, debris, oil, grease, etc. are cleaned off the Carrier. Clean the Carrier with a clean, moist cloth. Do not use solvents.
 - **PERIODICALLY** check all hardware for tightness.

DIAGRAM & PARTS LIST



Part #	Description	Qty.
1	Top Frame	1
2	Tie down Hook	4
3	Washer	8
4	Nut	8
5	Plug	4
6	Ramp	1
7	Foot Rubber	2
8	Lock Pin	2
9	Nut	2
10	Large Bolt	2
11	Pin	2
12	Small Bolt	46
13	Nut	46
14	Bolt	2
15	Nut	2
16	Anti-Tilt Bracket	1

Part #	Description	Qty.
17	Hitch Pin	1
18	Lock Pin	1
19	Nut	4
20	Spring Washer	4
21	Reflector	2
22	Bolt	4
23	Washer	12
24	Nut	6
25	Bolt	2
26	Hitch Bar	1
27	Tube Plug	1
28	Small Support	6
29	Middle Support	4
30	Big Support	2
31	Support with Reflector	2
32	Carrier Bed	1