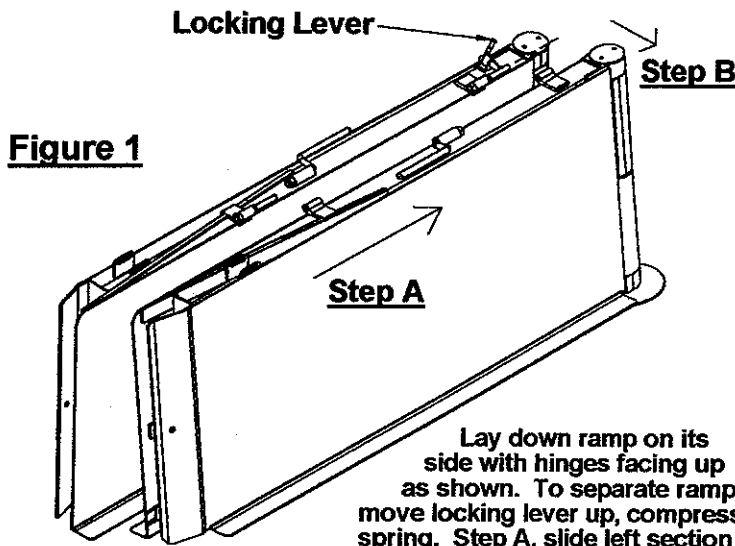


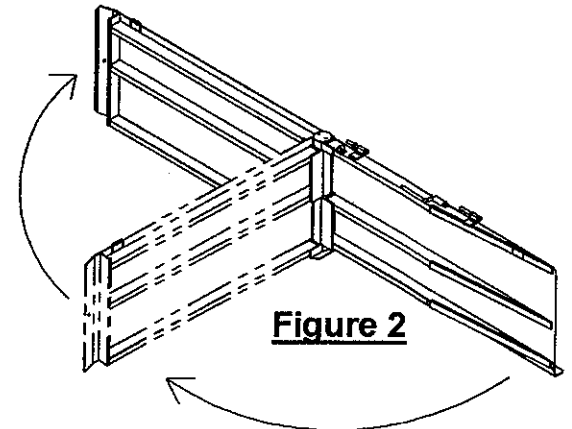
# Ramp Layout Instructions

**WARNING: DO NOT use ramp until video has been watched. Read booklet and ramp layout instructions carefully. DO NOT use ramp unless ramp is anchored down.**



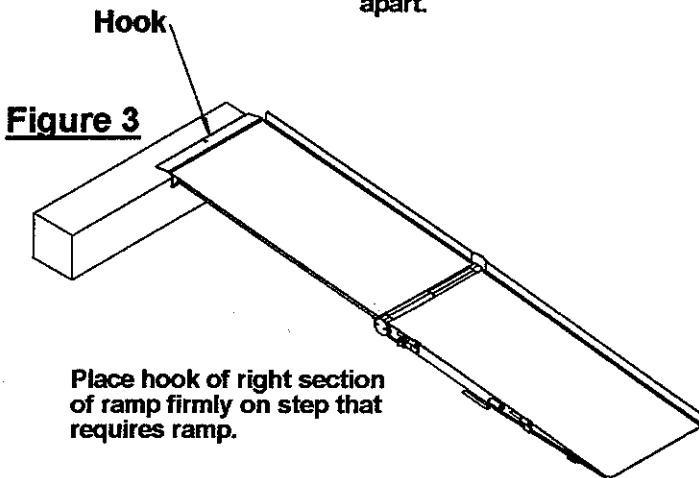
**Figure 1**

Lay down ramp on its side with hinges facing up as shown. To separate ramp move locking lever up, compressing spring. Step A, slide left section of ramp up so that bolts slide out of hinges. Step B, separate ramp sections and set apart.



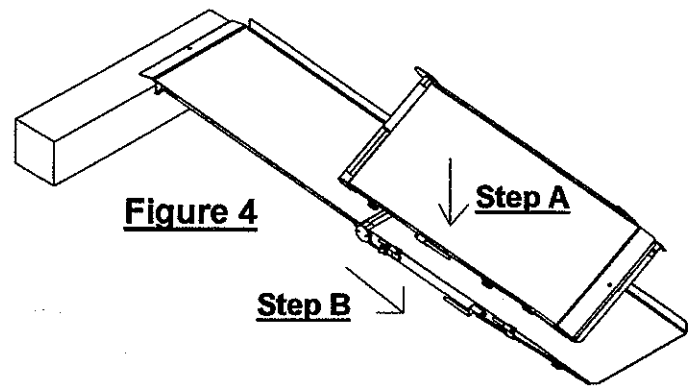
**Figure 2**

After separating ramp sections, pick up right section and fold out to full length.



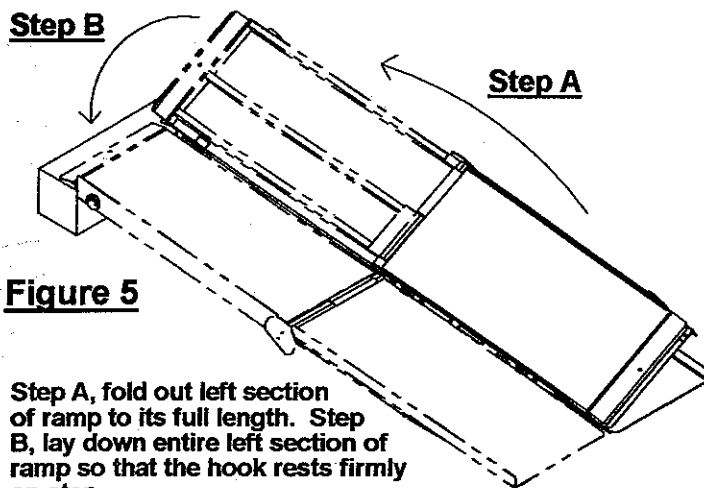
**Figure 3**

Place hook of right section of ramp firmly on step that requires ramp.



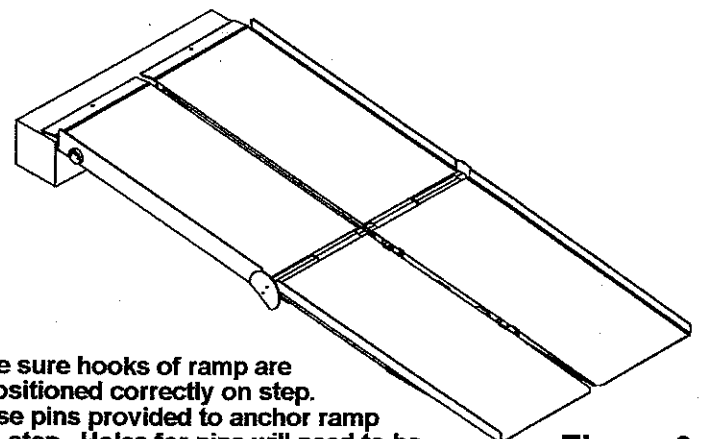
**Figure 4**

Next pick up left section of ramp. Step A, with hinges on ramp facing down, first lower ramp so that hinges line up with the bolts on the right section of ramp. Then Step B, slide hinges of left section of ramp into bolts so that both sections are attached again.



**Figure 5**

Step A, fold out left section of ramp to its full length. Step B, lay down entire left section of ramp so that the hook rests firmly on step.



**Figure 6**

Be sure hooks of ramp are positioned correctly on step. Use pins provided to anchor ramp to step. Holes for pins will need to be drilled at this time. DO NOT use ramp unless ramp is anchored down.

**IMPORTANT:** These instructions apply to wherever you will be using the ramp. Please take note of the slope chart in booklet to be sure the ramp is at a proper and safe incline.