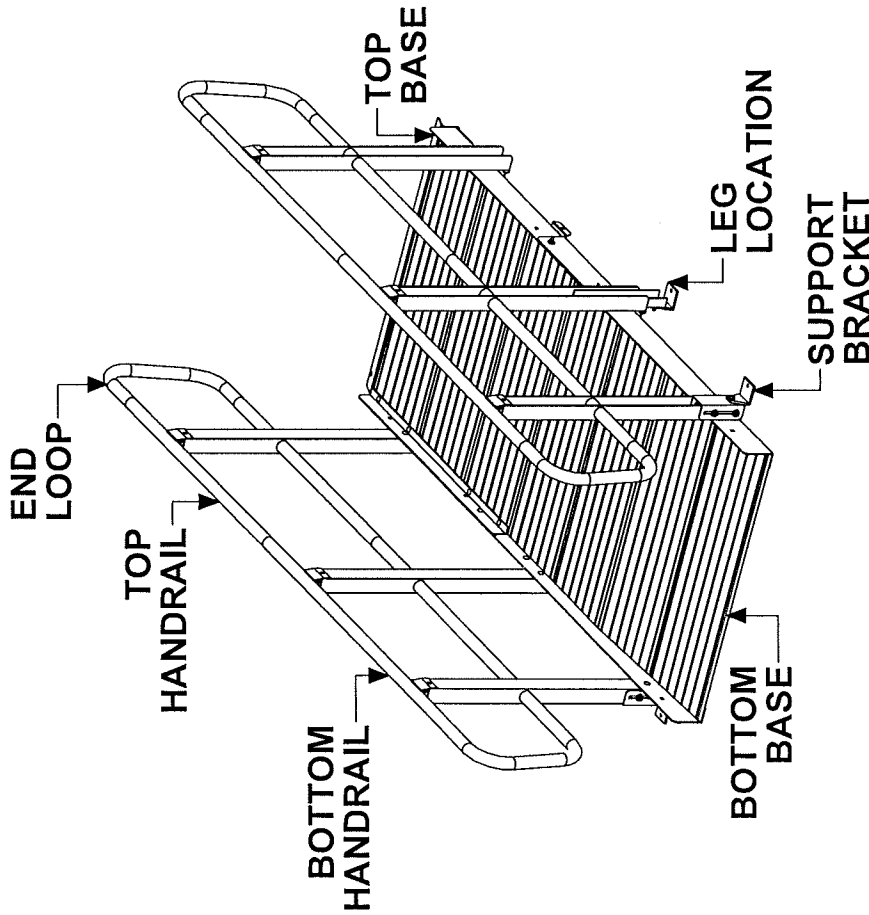


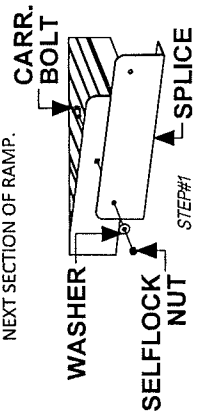
OnTrac Double Section Assembly



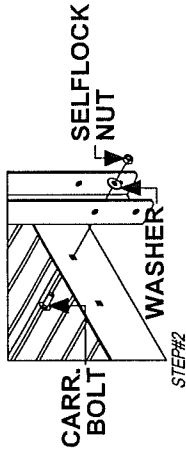
TOOLS REQUIRED:

- CORDLESS DRILL
- #2 PHILLIPS BIT
- 5/32 ALLEN WRENCH
- RACHET
- 1/2" DEEP WELL SOCKET
- 1/2" WRENCH
- 1/4" MASONRY BIT
- TAPE MEASURE

STEP#1: SPLICE TOP & BOTTOM BASES. PLACE RAMP SPLICE OVER RAMP FRAME ALIGN HOLES, RUN CARR. BOLT THROUGH RAMP FRAME AND SPLICE, FASTEN ON OUTSIDE EDGE WITH A WASHER AND SELFLOCK NUT. REPEAT PROCESS WITH NEXT SECTION OF RAMP.

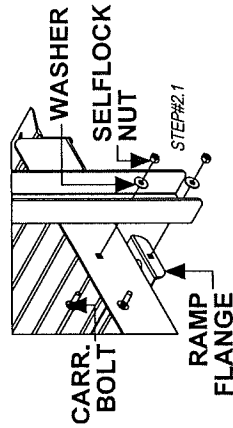


STEP#2: ATTACH HANDRAIL AT THE BOTTOM END OF RAMP RUN CARR. BOLT THROUGH RAMP FRAME AND POST CHANNEL, FASTEN WITH A FLAT WASHER AND SELFLOCK NUT, LEAVING HARDWARE LOOSE ENOUGH TO POSITION HANDRAIL FOR STEP#2.1.

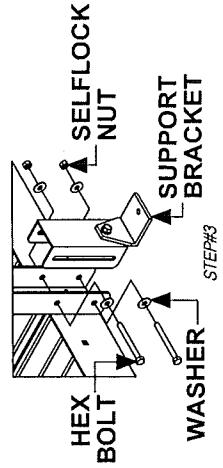


STEP#2.1: ATTACH HANDRAIL AT TOP END OF RAMP, RUN CARR. BOLT THROUGH THE RAMP FLANGE AND HANDRAIL POST FASTEN WITH WASHER AND SELFLOCK NUT. RUN A CARR. BOLT THROUGH THE FRAME OF THE RAMP AND THE HANDRAIL CHANNEL AND FASTEN WITH WASHER AND SELFLOCK NUT. ATTACH POST (MIDDLE OF RAMP) USING JAM NUT INSTEAD OF SELFLOCK NUT.

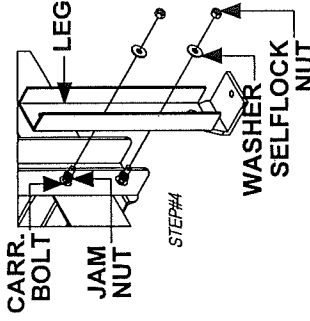
NOTE: DOWNWARD PRESSURE ON THE HANDRAIL POST MAY BE NEEDED TO LINE UP THE HOLE IN THE FRAME AND HOLE IN THE RAMP POST



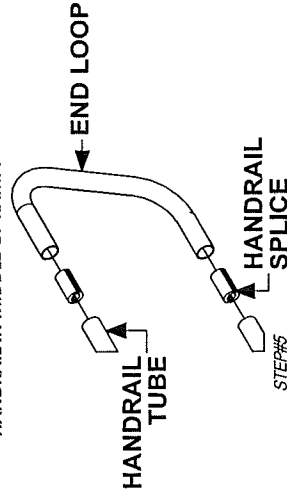
STEP#3: ATTACH SUPPORT BRACKETS ATTACH SUPPORT BRACKETS AT BOTTOM OF RAMP, SLIP SUPPORT BRACKET CHANNEL OVER THE POST CHANNEL RUN HEX BOLT THROUGH SLOTTED HOLES OF THE SUPPORT BRACKET AND ROUND HOLES OF THE HANDRAIL POST WITH A WASHER ON BOTH SIDES FASTEN WITH SELFLOCK NUT.



STEP#4: ATTACH LEGS ATTACH RAMP LEGS AT MIDDLE POST LOCATION OF RAMP (POST ATTACHED WITH JAM NUTS), PLACE LEG CHANNEL INSIDE OF THE POST CHANNEL WITH ALREADY INSTALLED CARR. BOLTS COMING THROUGH THE SLOT IN THE LEG CHANNEL, FASTEN WITH A WASHER AND SELFLOCK NUT, DO NOT TIGHTEN ALL OF THE WAY UNTIL RAMP HEIGHT HAS BEEN SET.



STEP#5: ATTACH END LOOPS ATTACH END LOOPS USING HANDRAIL SPLICE, SLIDE HANDRAIL SPLICE IN THE TOP & BOTTOM HANDRAIL TUBES WITH THE SET SCREW ALIGNED WITH THE NOTCH IN THE HANDRAIL TUBE. SLIDE END LOOP OVER THE HANDRAIL SPLICE AND TIGHTEN SET SCREW. **NOTE: USE SAME METHOD TO SPLICE HANDRAIL IN MIDDLE OF RAMP.**



STEP#6: ANCHOR RAMP DOWN, WITH RAMP POSITIONED IN ITS FINAL RESTING PLACE, ANCHOR RAMP TO GROUND USING THE SUPPLIED CONCRETE SCREWS AND PRE-DRILLED HOLES IN THE RAMP HOOK. ANCHOR AT BOTTOM END OF RAMP USING THE HOLE IN THE SUPPORT BRACKET FOOT, USING SCREWS OR LAG BOLTS INTO THE EXISTING CONCRETE, HARDWARE FOR ANCHORING AT BOTTOM OF RAMP NOT SUPPLIED.

