

WARNING

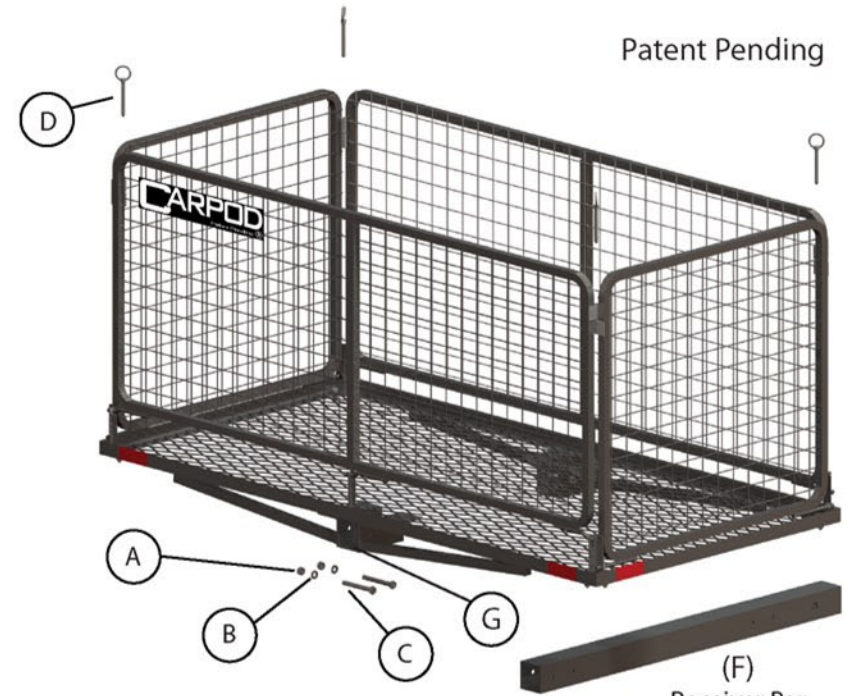
- . Make sure all hardware connections are secure before each use.
- . Never exceed receiver hitch manufacturer's tongue weight rating.
- . Do NOT allow exhaust fumes to blow on loaded cargo – It's a fire hazard.
- . Never exceed maximum static BASE LOAD capacity of 450 Lbs. (evenly distributed).
- . Do NOT transport flammable items such as gas, propane, etc.
- . Carpod is not intended for transporting humans or live stock.
- . Never exceed maximum SIDEWALL pressure load of 150 Lbs. (evenly distributed).
- . Never load cargo on top of the sidewalls in folded position.
- . Bouncing or rapid stopping of the vehicle will increase the load weight and may reduce rated capacity substantially.
- . Accessory taillight kit must be used if Cargo Carrier covers vehicle taillights.
- . When erecting/opening sidewalls DO NOT release them to free-fall.
- . CARPOD Inc. will NOT be responsible for any damage if warnings have not been heeded.

CARPOD[®]
www.carpodrack.com
info@carpodrack.com





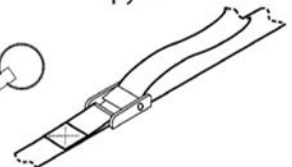
CARPOD[®]

The Versatile Carrier

ASSEMBLY AND OPERATING INSTRUCTIONS

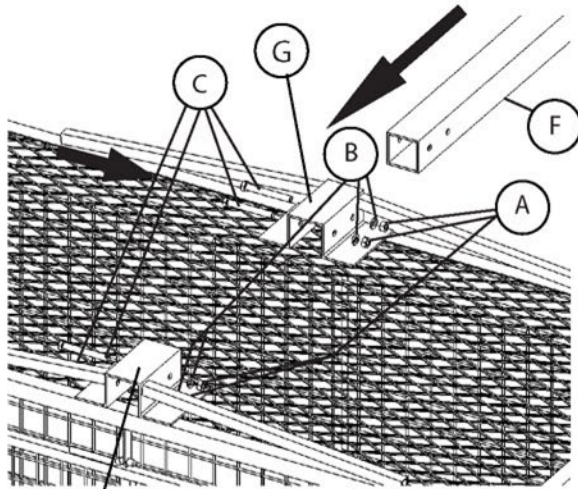


HARDWARE LIST

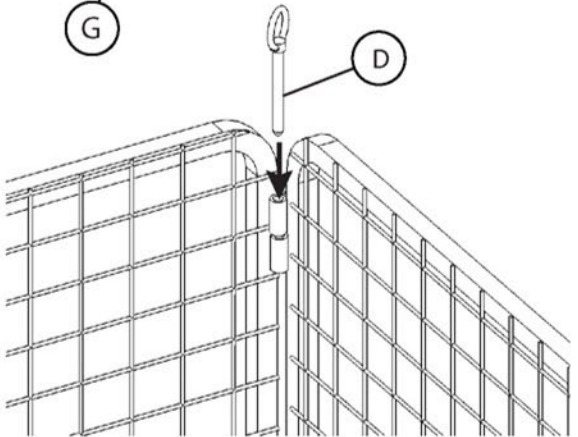
- | | | | | |
|---|---|---|---|---|
|  |  |  |  |  |
| (A)
Hex
Nylock
Nut
qty-4 | (B)
Lock
Washer
qty-4 | (C)
Hex
Bolt
qty-4 | (D)
Cotterless
Pin
qty-4 | (E)
Top
Belt
qty-1 |

(F)
Receiver Bar
qty-1

ASSEMBLY INSTRUCTIONS

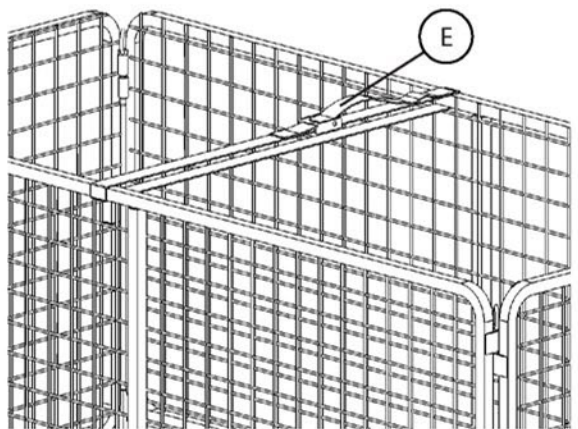


- 1) Insert the Receiver Bar (F) into the carrier's Angle Plate (G) from the opposite end of the CARPOD® sticker.
- 2) Align the carrier Angle Plate holes with the Receiver Bar holes.
- 3) Insert the four Hex Bolts (C) through the carrier Angle Plate and the Receiver Bar.
- 4) Slide the Lock washer (B) over the Hex Bolt.
- 5) Place the Hex Nylock Nut (A) on Hex Bolts (C) and tighten.



- 1) One by one open sidewalls to a vertical or open position.
- 2) Insert all four Cotterless Pins (D) into corner hinges.
- 4) When closing the sidewalls reverse the opening process.

CAUTION: When erecting/opening sidewalls DO NOT release them to free-fall.



Wrap the Top Belt (E) around the top center part of the two large sidewalls and tighten slightly until snug.

IMPORTANT NOTICE

If exhaust heat blows directly onto cargo, position load away from it. Be aware of the possible risk of fire and damage to property resulting from the vehicle's exhaust pipe pointing at the cargo. Flammable cargo can ignite from exposure to heat. Always be aware of this potential danger, and never use the Cargo Carrier if this risk exists. An extension or lift kit may be required.

SPECS

Open position 22" H, 48 3/4" W, 24" D
 Folds to a height of 5 1/4"
 Weight 49 Lbs
 Maximum Base Load Capacity 450 Lbs (evenly distributed).
 Maximum SIDEWALL pressure load of 150 Lbs. (evenly distributed).
 Cargo Capacity 13 1/4 cubic feet
 2" Receiver Some models may require hitch extender.

WARRANTY

Carpod Inc. warrants all parts (except paint finish) of Carpod® Cargo Carrier product to be free from defects in material and workmanship for a period of 90 days from date of purchase. Within this period, Carpod Inc. will correct any defect in material and workmanship by repairing or replacing any defective parts, or by providing replacement parts thereof.

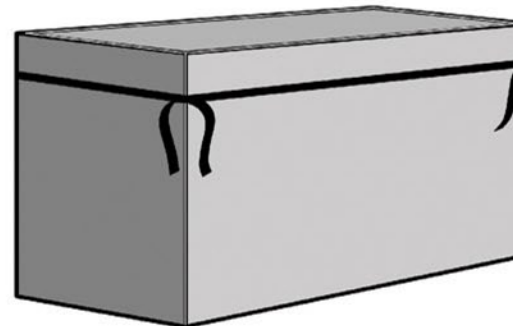
Carpod Inc. has the sole discretion to determine if a part is defective. Carpod Inc. will not be obligated to repair or replace equipment which has been repaired by others, abused, altered or misused. Carpod Inc. will not be liable for any losses due to improper or unauthorized use by the operator. Upon expiration of this limited warranty, all liability will terminate. No other warranties are expressed or implied.

NOTE: Paint finish will scratch and chip under normal use, and is not covered under this limited warranty.

ACCESSORIES

Sold Separately

CARPOD® Cargo Bag
 Item Number: M2202



CARPOD® Lockable Top Lid
 Item Number: M2201

