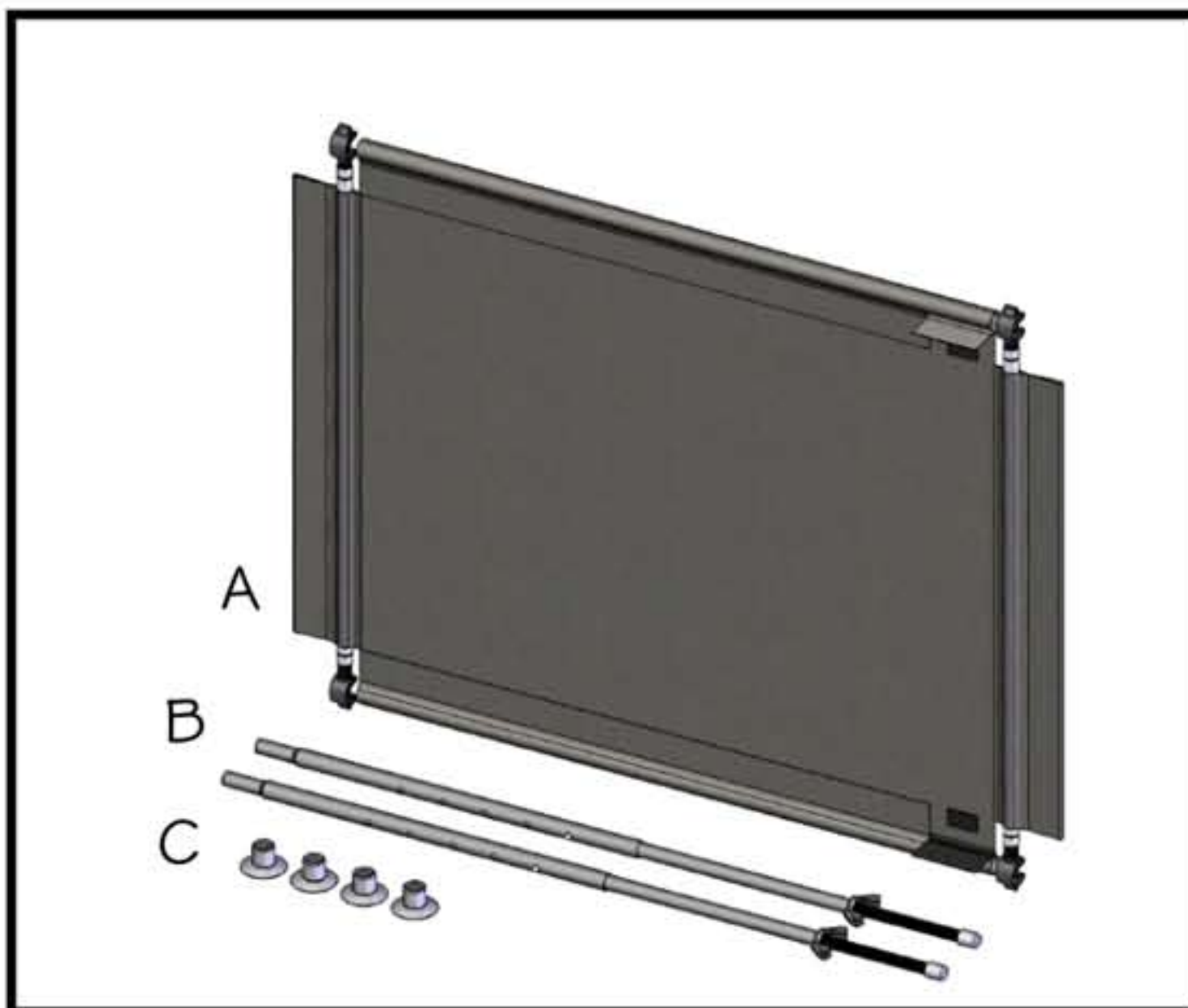


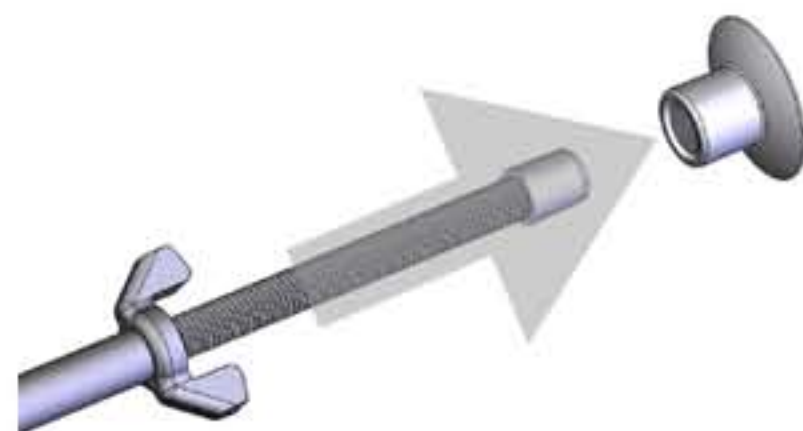
# Pet Gate

Model #: DB-07737  
 Assembly Instructions



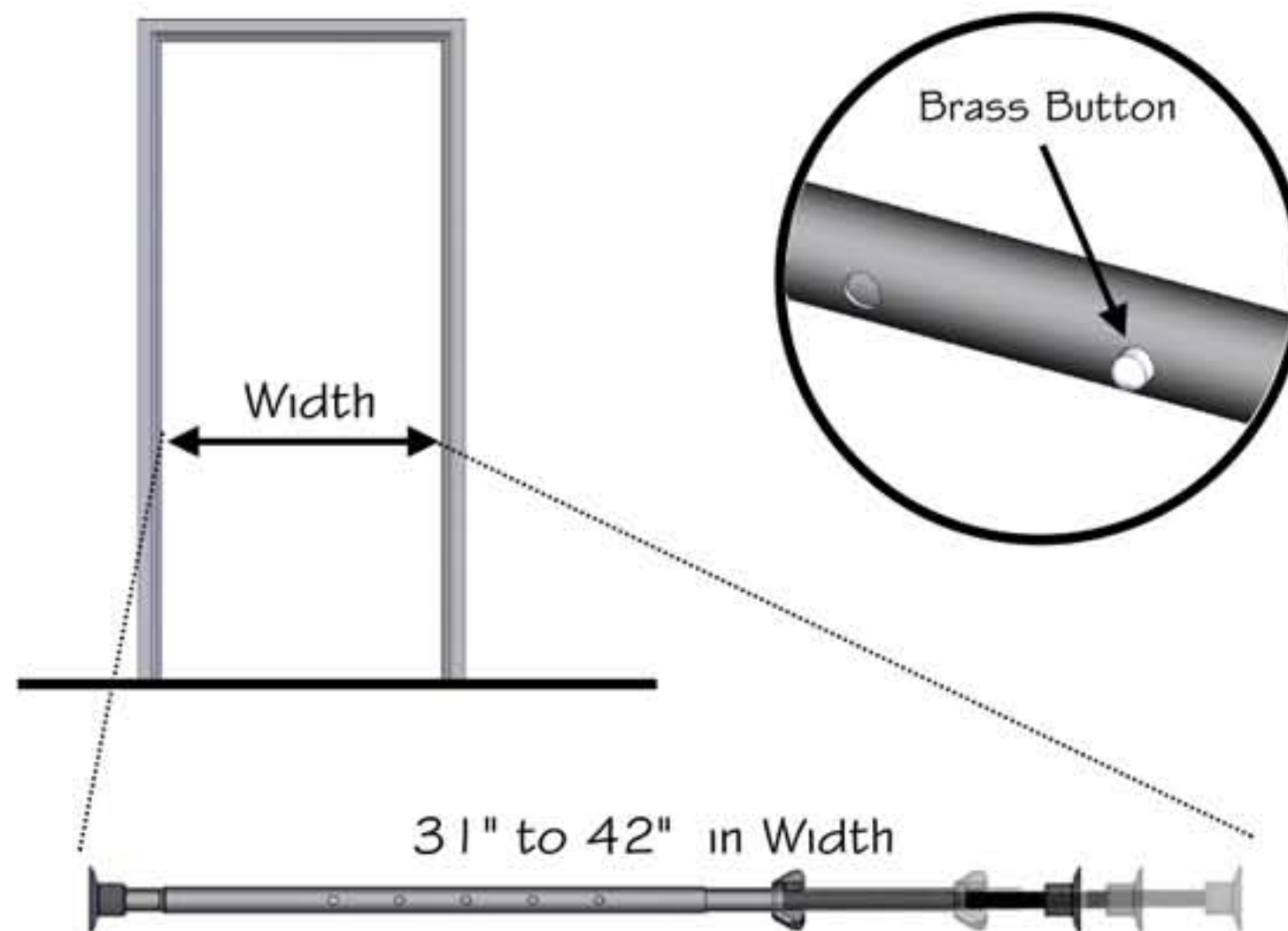
## Parts List

Letter	Description	Quantity
A	Canvas Cover	1
B	Rails for Top or Bottom	2
C	Rubber Bumpers	4



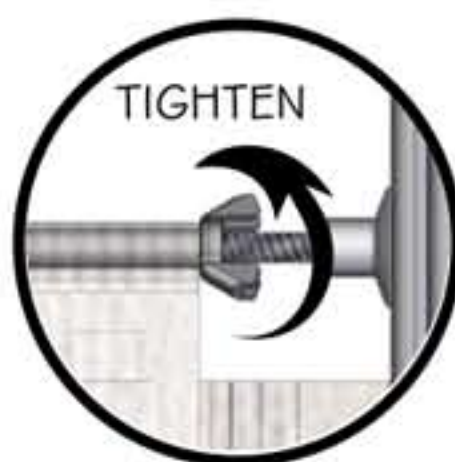
### STEP 1.

Take the 2 Rails(B) and adjust the Wing-Nut until the Rubber Bumper(C) is clear of the Wing-Nut. Place a Rubber Bumper(C) on the two ends of both Rails(B).



### STEP 2.

Using the Rails(B) with the Rubber Bumpers(C) attached, adjust the width of the Rails(B) to the opening you are going to block. The rails can be lengthened or shortened by pressing the Brass Button on each Rail.



### STEP 3.

After Step 2 is accomplished, further adjustments to the width of the rails can be accomplished by tightening the Wing-Nut.

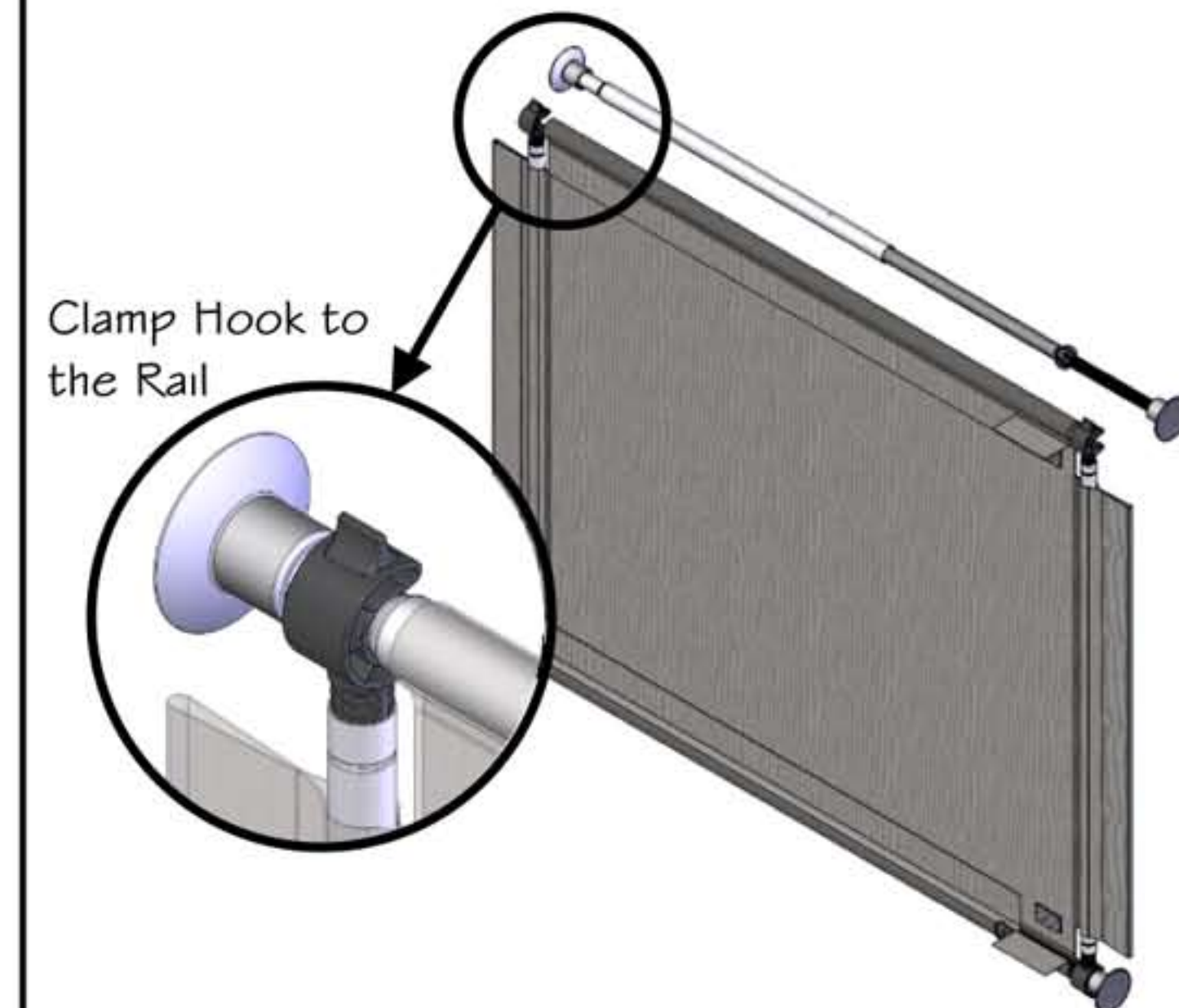
NOTE: Adjust Rails(B) until they touch each side of the opening.

### STEP 4.

Remove the Rubber Bumper(C) from the end of the Rail(B) opposite the Wing-Nut end.

### STEP 5.

Insert the ends of each Rail(B) that are now without a Rubber Bumper(C) into the top and bottom openings of the Canvas Cover(A).

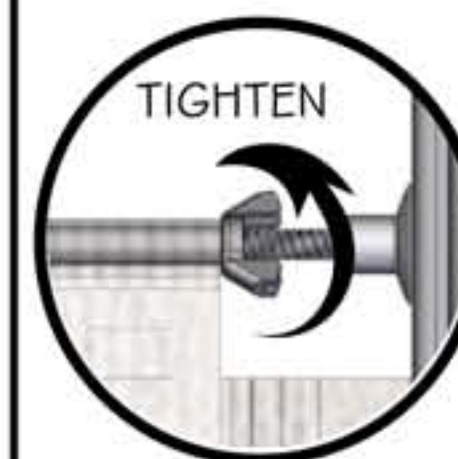


### NOTE:

Make sure that the ends of the Rails(B) with Wing-Nuts are positioned on same side of Canvas Cover(A) as the Velcro flaps.

### STEP 6.

Clamp side rail hooks to the Rails(B) (top & bottom) and both ends of Rails(B). See diagram under Step 5.



### STEP 7.

Use the Wing-Nuts on both Rails(B) to insure that the gate is snugly placed in the opening. Using pressure on both Rails(B) make sure that gate does not slip out of position.