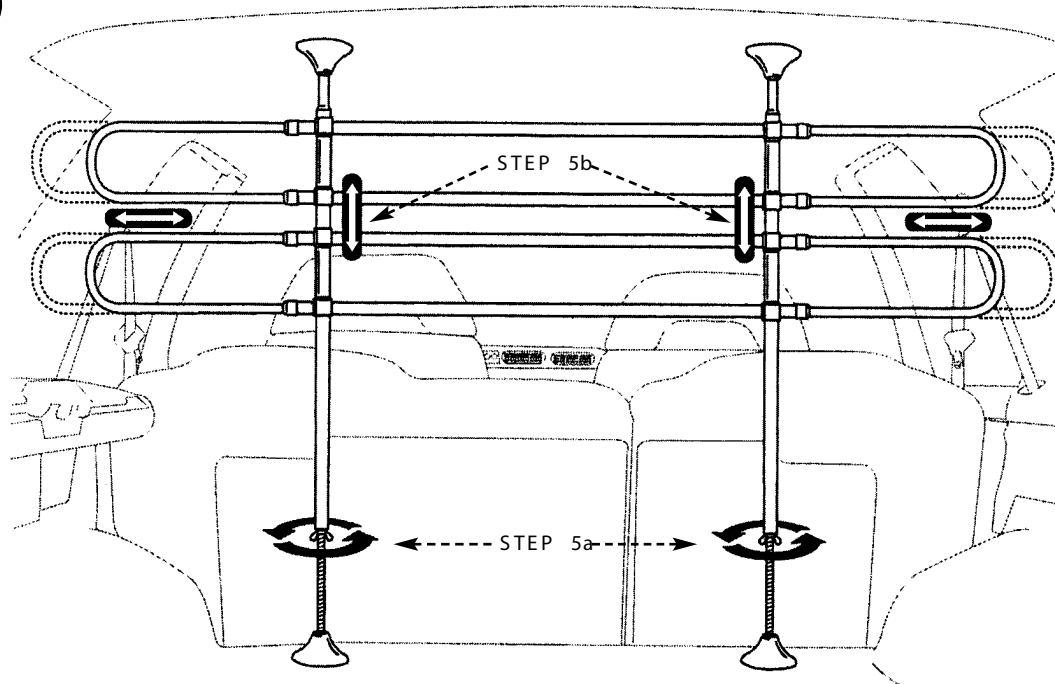


5



STEP 5a

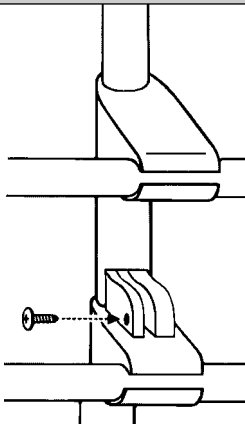
Center the assembled Pet Barrier in your vehicle with the Threaded Rod Assembly portion on the floor and extend it vertically until it is expanded snugly against the roof and floor of the vehicle. Be sure the Vertical Tubes are perpendicular to the floor. To secure the position, turn the wing nuts until they are snug against the Vertical Upright Tubes.

STEP 5b

Once the barrier is firmly installed, you can optimize the function of your Pet Barrier by adjusting the Telescoping Hoop Assemblies (A). First adjust the Telescoping Hoop Assemblies by pushing or pulling them horizontally. Then you can vertically optimize the position.

6

When the Pet Barrier is adjusted to your satisfaction, lock your adjustments in place by installing the 4 Screws (H). Thread the Screws through the thin wall portion of the Plastic Vertical Brackets (B). Tighten firmly with your phillips-head screwdriver.



NOTES

- This product is not to be used as a cargo barrier. Any use of this product for that reason voids warranty and releases manufacturer of any and all liability.
- WeatherTech[®] also offers the MW12N, an extension for the WeatherTech[®] Pet Barrier, to add height to vehicles with larger vertical cargo area.
- Check the Wing Nuts on the Vertical Tubes periodically to adjust for settling.

DB-02704

Pet Barrier

Instruction Manual



Pet Barrier

BEFORE YOU BEGIN

- Thank you for purchasing the WeatherTech™ Pet Barrier. We are confident that this product is the best on the market, and will exceed your needs.
- Please take a moment to familiarize yourself with all of the included parts listed below. If anything is missing, contact your dealer immediately.
- The WeatherTech™ Pet Barrier is easy to assemble. However, it is a stepwise and orderly process, so be patient and take your time. The letters in the instructions refer to the diagram.

1

Insert the Vertical Upright Tubes (C) through the Plastic Vertical Brackets (B) as shown.

2

Locate the end of the Threaded Rod Assembly (E) with the wing nut. Press a Support Foot (G) onto this end. Repeat with the other Threaded Rod Assembly.

There should be a Support Foot Insert on each end of the Threaded Rod

PARTS LIST

Letter	Description	Quantity
A	Telescoping Hoop Assembly	2
B	Plastic Vertical Brackets	4
C	Vertical Upright Tubes	2
D	Wing Nuts	2
E	Threaded Rod Assembly	2
F	Support Foot Inserts	4
G	Support Foot	4
H	Screws	4

YOU WILL NEED:
A phillips-head screwdriver 

3

Insert the Threaded Rod/Support Foot Assemblies into the Vertical Upright Tubes. Make sure the Wing Nuts (D) center into the Vertical Upright Tubes.

4

Install the remaining 2 Support Feet (G) onto the tops of the Vertical Upright Tubes (C).