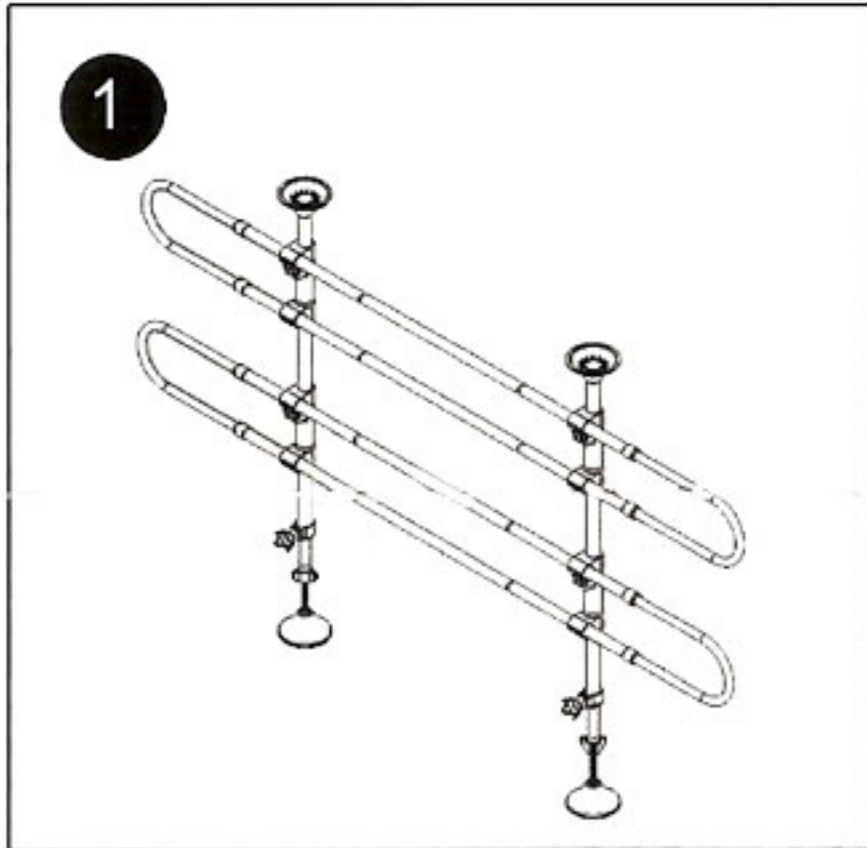
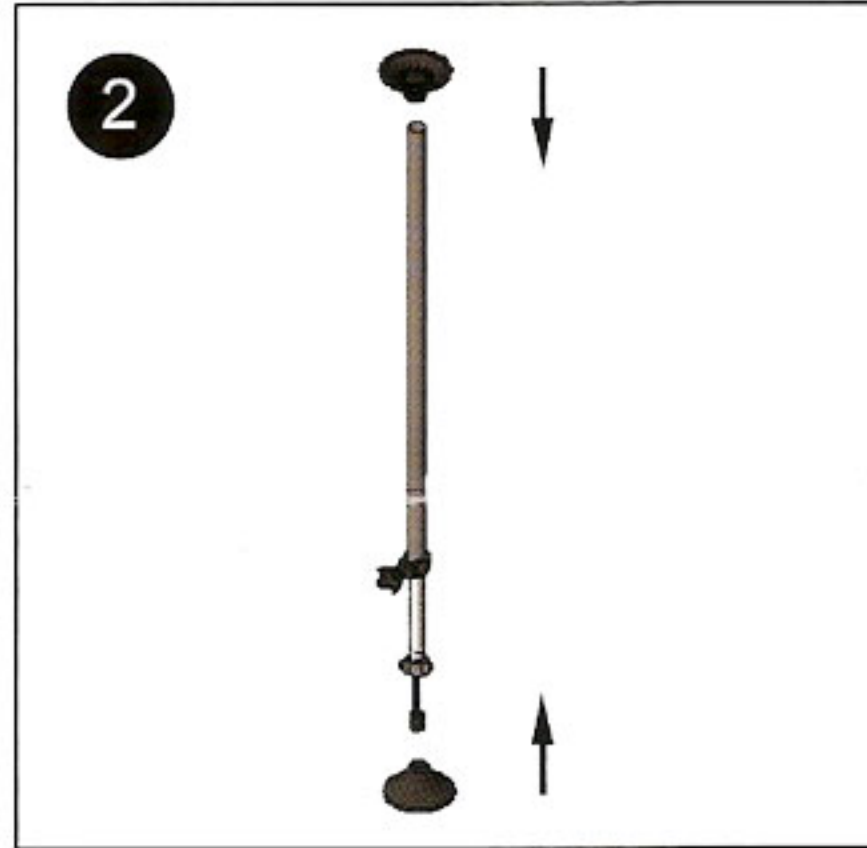


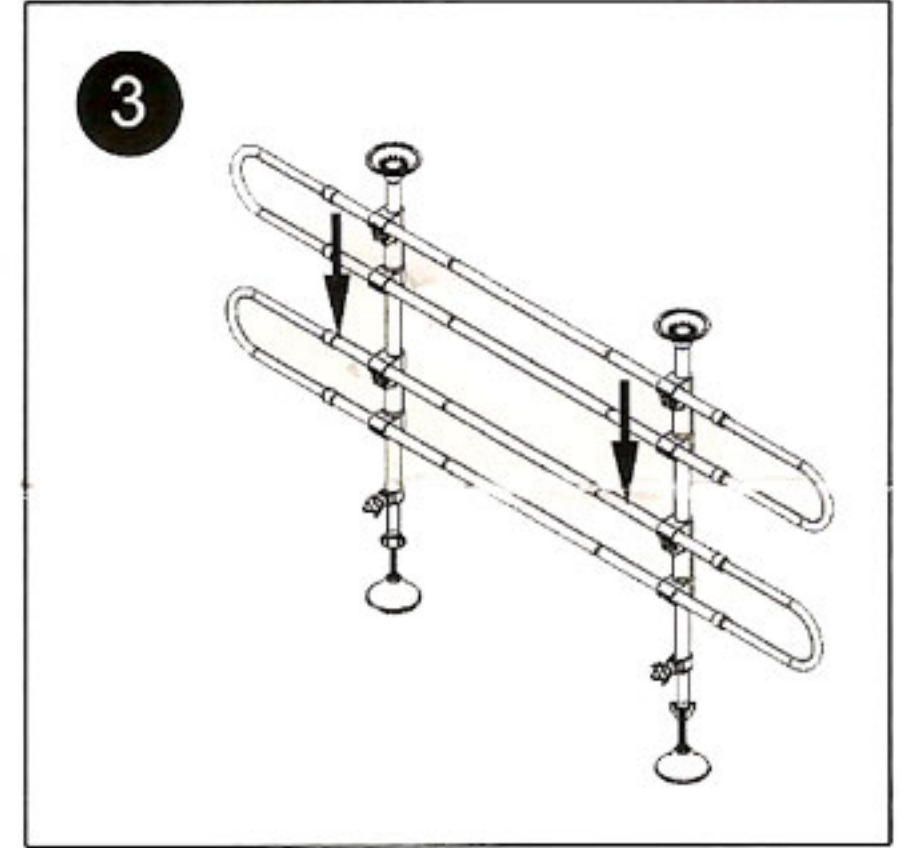
- 1** Rung
- 2** Plastic adaptor
- 3** Barrier bar
- 4** Main frame bar
- 5** Top foot pad
- 6** Bottom foot pad
- 7** Screws



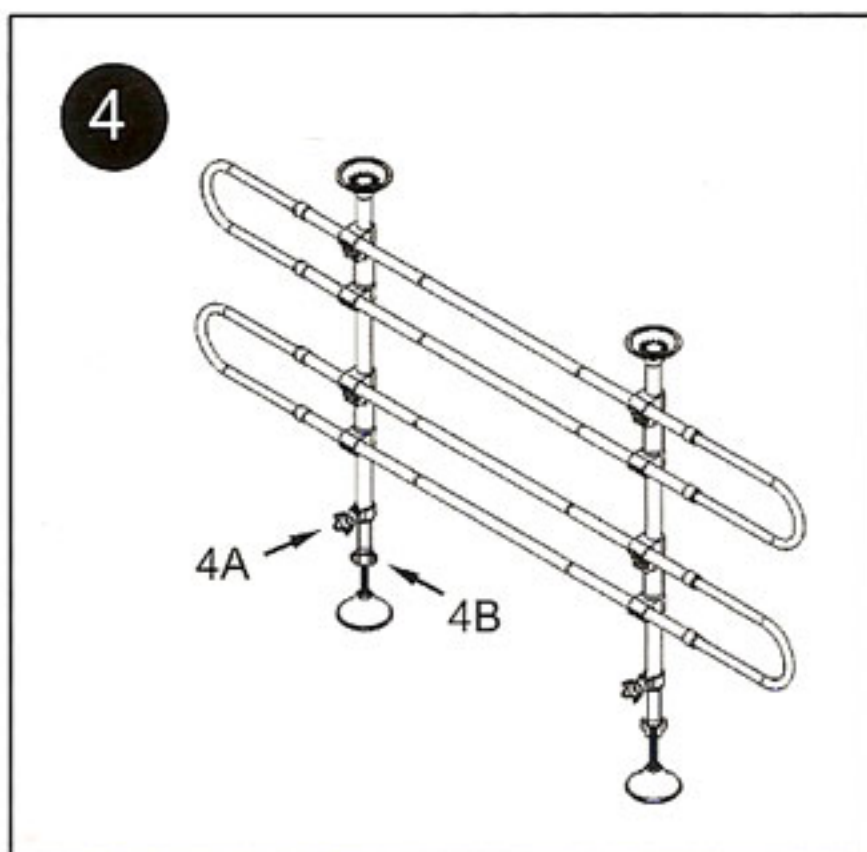
Thank you for purchasing dog barrier from us. First please check all items in the box: 4 rungs, 4 barrier bars, 2 main frame bars, 2 top food pads, 2 bottom foot pads and screws.



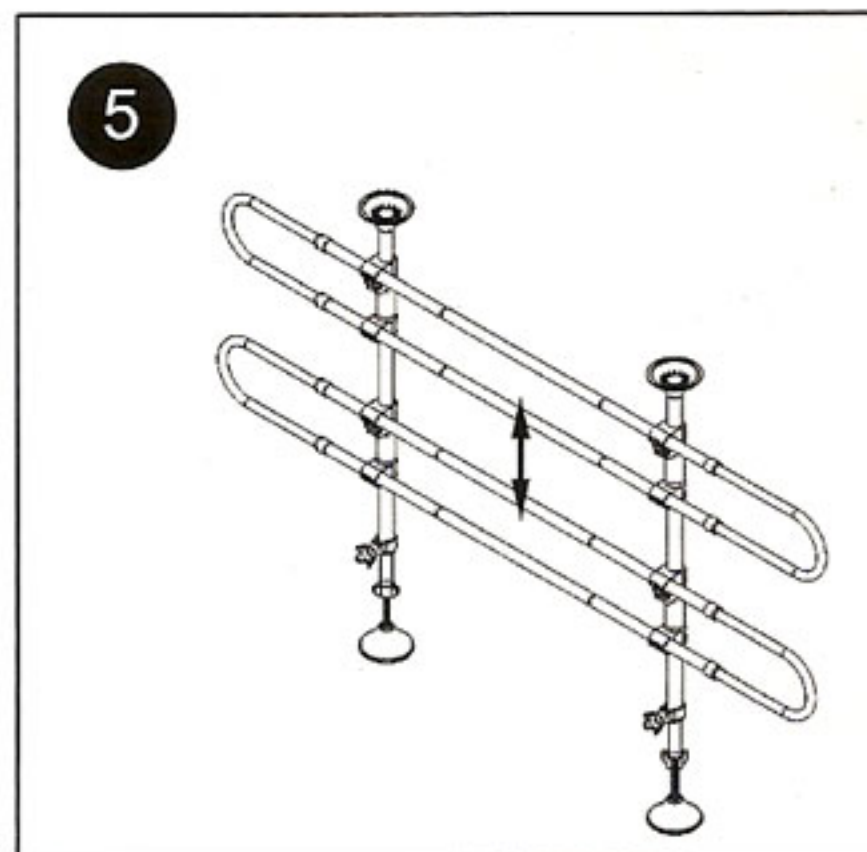
Insert top/bottom foot pads into the the main frame bar.



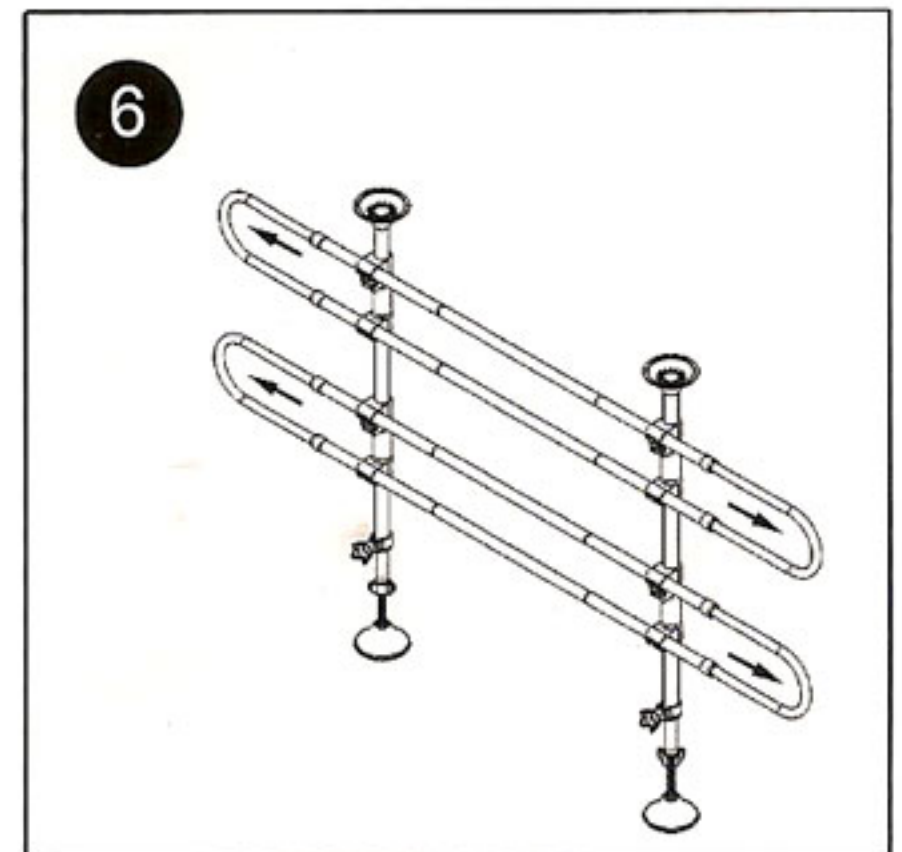
Slide the main frame bars with the plastic adjusters which can be tightened by the screws with a philips head screwdriver.



Adjust the knobs in 4A/4B for appropriate height at the back of your car. Make sure the main frame bars are firmly against the roof and floor and are parallel to each other.



Adjust the position of rung for even distribution.



Slide the rung out according to the width of the interior of your car.