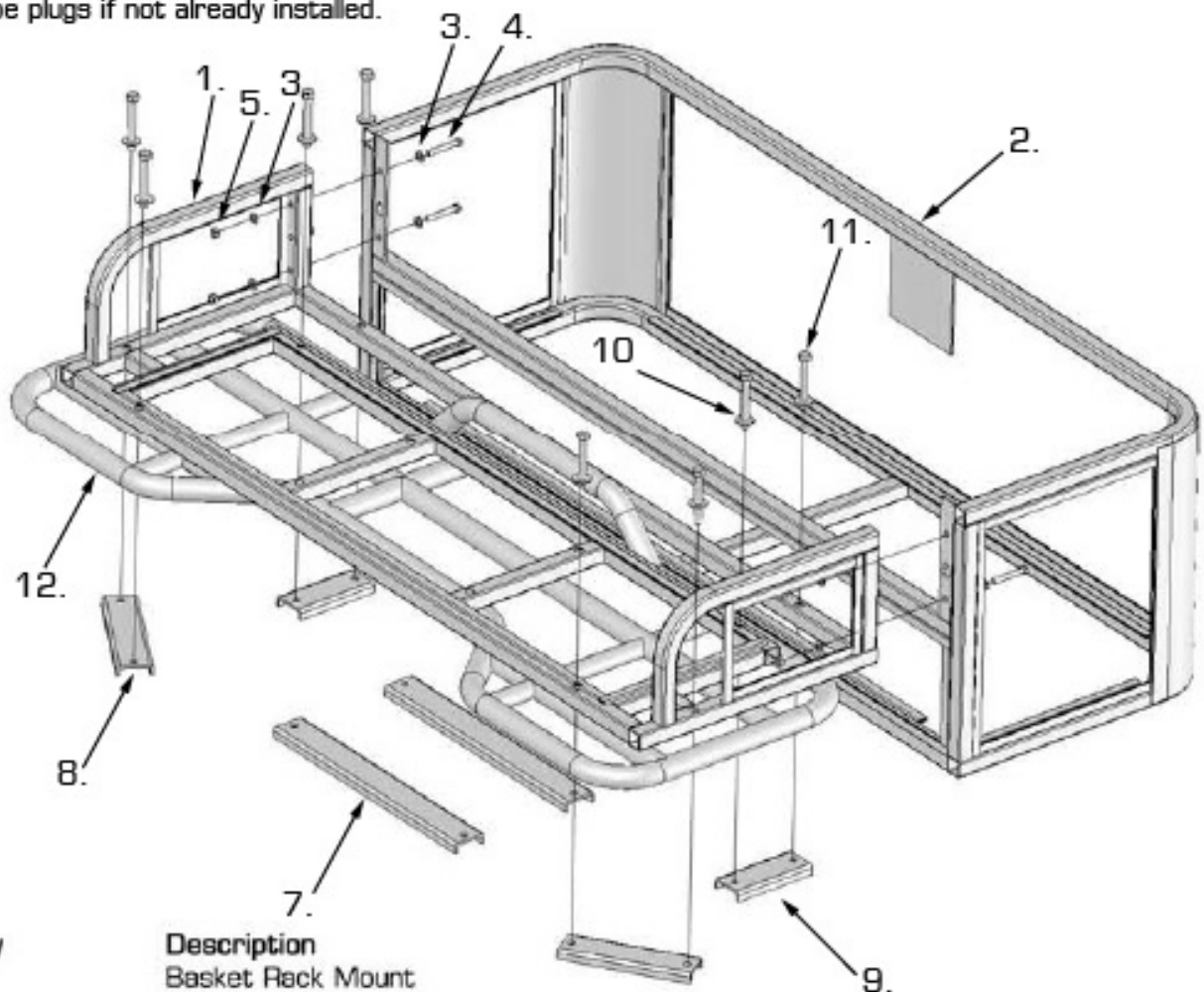


Drop Down Basket (DDB-2010)

Assembly/Mounting Instructions

1. Unpack all basket parts and identify them.
2. Position the basket rack mount so it is centered on the rear rack of the ATV. *Note, depending on the type and size of your ATV rack, the extension may have to be removed before the basket can be installed.
3. Position any two sets of mounting plates under the ATV rack so the mounting plate holes line up with the holes of the basket rack mount. Insert [8] 5/16-18 bolts through [8] washers, rack mount, and into the mounting plates. Don't tighten the bolts until all the bolts have been installed. *Note, if none of the arrangements of mounting plates will work, refer to the optional mounting instructions on the back of this sheet.
4. Align the rack mount evenly on the ATV rack and tighten bolts.
5. Obtain the drop basket back and mount to the rack mount. Secure it by using [4] 1/4-20x1/2 bolts, [8] 1/4" flat washers, and [4] 1/4" lock nuts.
6. Install tube plugs if not already installed.



Item	Qty	Description
1	1	Basket Rack Mount
2	1	Drop Basket Rack
3	8	Flat Washer, 1/2" OD
4	4	1/4-20x1 1/2" Bolt
5	4	1/4-20 Lock Nut
6	6	Tube Plugs (Already Installed)
7	2	Mounting Plate - 11.75"
8	2	Mounting Plate - 5.39"
9	2	Mounting Plate - 3.00"
10	8	5/16 Flat Washer
11	8	5/16-18x2 Bolt
12	1	Your ATV Rack

RAGE Powersport Products
 575 W. High Street
 Aurora, MO 65605
 Toll Free (800)-851-6396

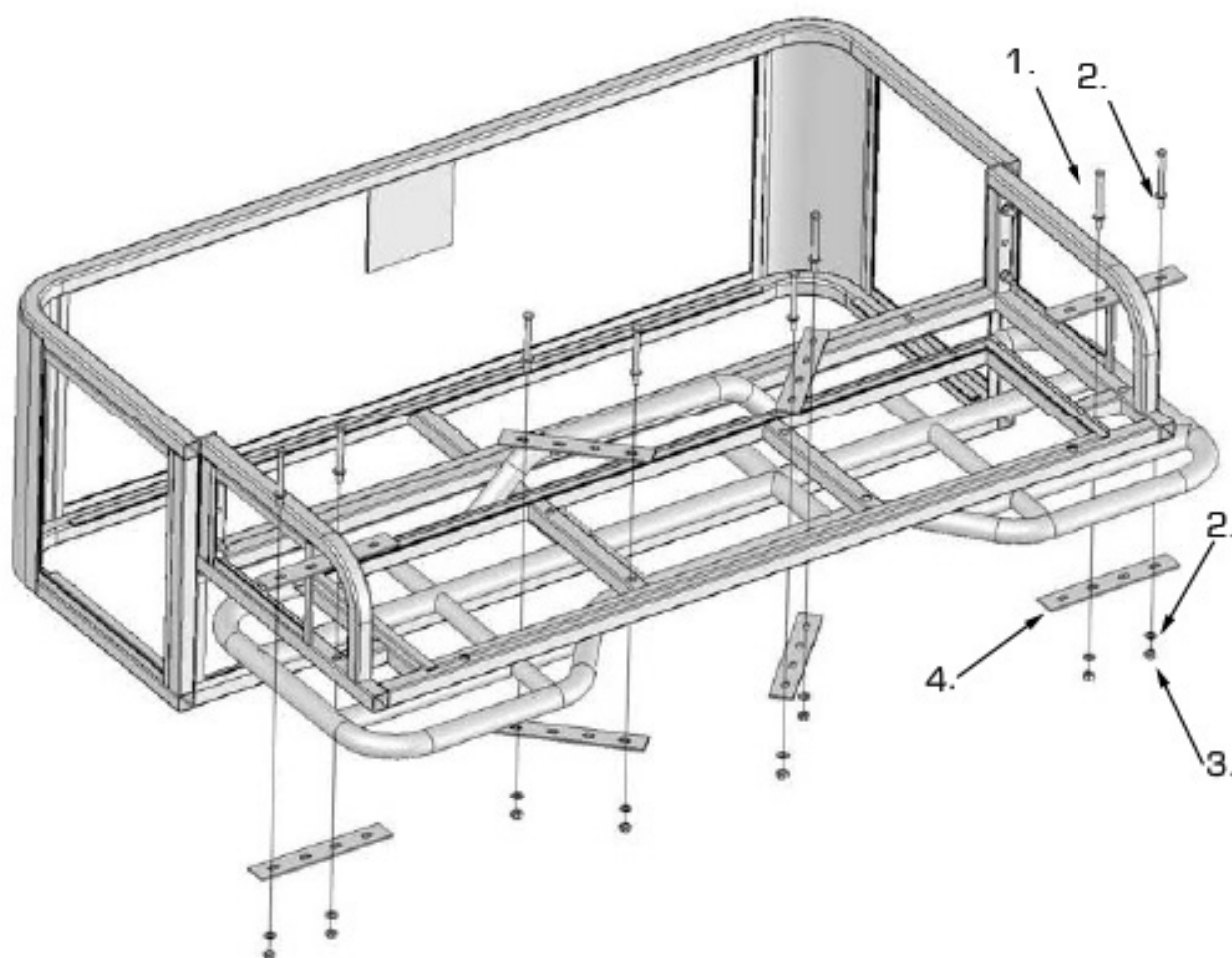


Note Hardware May Be Metric - Additional hardware should be purchased for different mounting

Drop Down Basket [DDB-2010]

Optional Mounting Instructions

1. Using [2] Mounting Brackets, [2] 1/4 20X2 1/2 Bolts, [2] 1/4" lock nuts, and [4] 1/4" flat washers, secure the basket rack mount to the ATV rack. Position the brackets so when the bolts are installed they will be on both sides of a frame rail of the basket rack mount and the ATV rack.
2. Repeat Step 1 three more times on your ATV rack. Space the mounting brackets out evenly over the surface of the bracket rack mount.
3. Obtain the drop down basket back and mount it onto the rack mount. Secure using [4] 1/4"-20X1 1/4" bolts, [8] small flat washes, and [4] Lock nuts.
4. Install tube plugs if not already installed.



Item	Qty	Description
1	8	1/4-20X2 1/2 Long Bolt
2	16	1/4 Washer
3	12	1/4 - 20 Lock Nut
4	8	Mounting Brackets

RAGE Powersport Products
575 W. High Street
Aurora, MO 65605
Toll Free (800)-851-6396



Note Hardware May Be Metric - Additional hardware should be purchased for different mounting