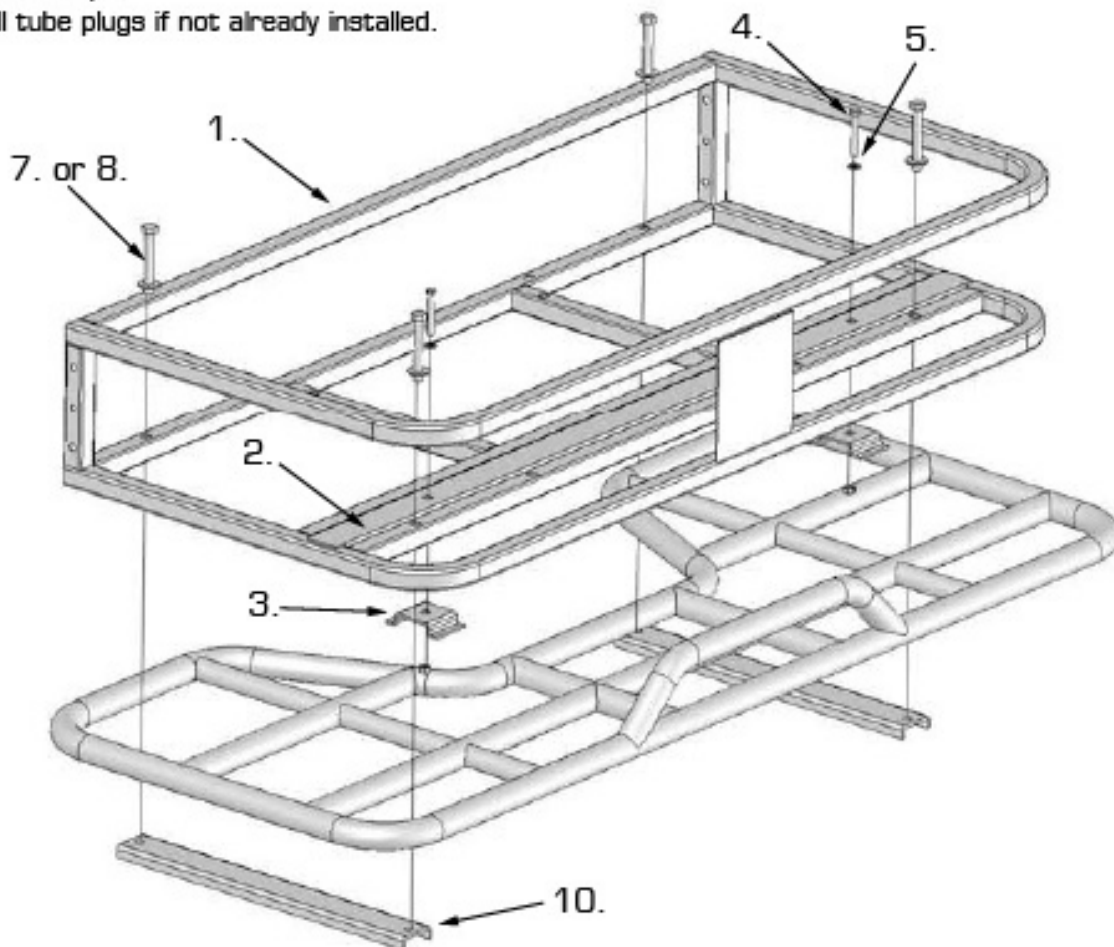


Front Basket [FB-2020]

[Recommended Mounting]

Assembly/Mounting Instructions

1. If you are mounting the basket on a metal rack with a front stop bar, as shown, remove the filler clamp and hardware prior to mounting basket on your ATV rack.
2. Position the basket on top of your ATV rack. Center the basket so the handle bars move freely.
3. Position the mounting plates under your ATV rack so the holes line up with the holes of the basket. Final position of the mounting plates depends on the type of ATV rack you have.
4. Insert [4] 5/16 Bolt through [4] 5/16 washers, and basket holes above the mounting brackets. Lightly tighten bolts. *Note, Bolt length - 2" or 3" used is determined by the thickness of your ATV rack.
5. Make sure the basket is aligned evenly on your ATV rack and securely tighten the bolts from the previous step.
6. Install tube plugs if not already installed.



Item	Qty	Description
1	1	Front Basket
2	1	Filler Clamp
3	2	Filler Brackets
4	2	1/4"X3/4" Bolts
5	2	1/4" Flat Washers
6	2	1/4" Lock Nuts
7	4	5/16"X2" Bolts
8	4	5/16"X3" Bolts
9	4	5/16" Flat Washers
10	2	Mounting Brackets

RAGE Powersport Products
 575 W. High Street
 Aurora, MO 65605
 Toll Free (800)-851-6396



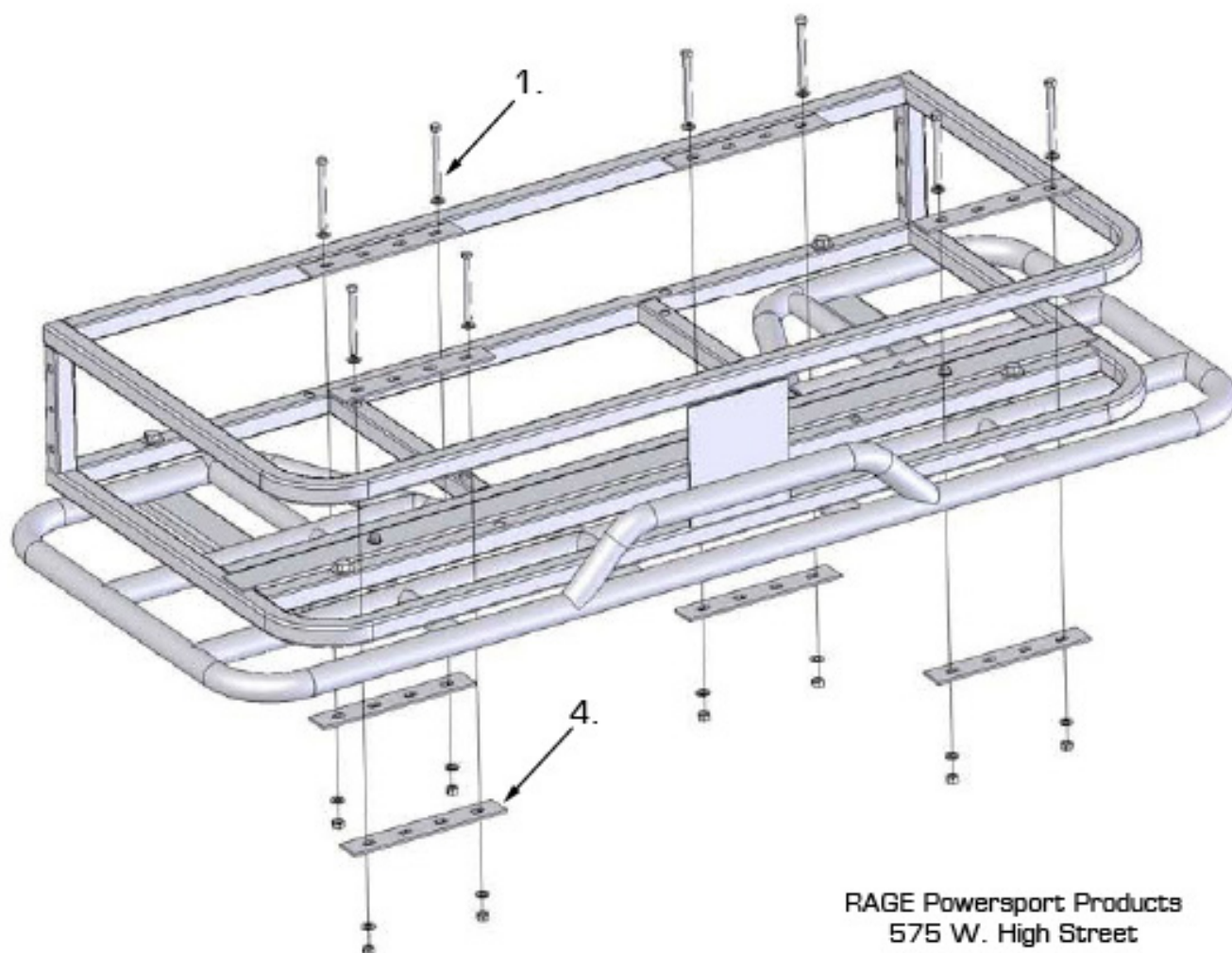
Note Hardware May Be Metric - Additional hardware should be purchased for different mounting

Front Basket (FB-2020)

[Optional Mounting]

Mounting Instructions

1. Position the basket so it is centered on the front rack of the ATV.
2. Using [2] Mounting brackets, [2] 1/4" Bolts, [2] Lock nuts, and [4] 1/4" Flat washers, secure the basket to the ATV rack as shown. Assure the bracket on the top of the basket is positioned over the square tubing of the basket frame and the lower bracket is positioned under the tubing of the ATV rack. Bolts must be installed on both sides of the tubing for proper clamping. *Note - As the bolts are tightened the expanded metal will deform.
3. Repeat previous step until all four sets of brackets holding the basket are in place. Space the remaining brackets evenly over the surface of the basket. *Note - The orientation of the mounting brackets may change depending on the type of ATV rack you have.
4. Check basket alignment and make sure all hardware is securely fastened.



Item	Qty	Description
1	8	1/4" Bolts
2	16	1/4" Flat Washers
3	8	1/4" Lock Nuts
4	8	Mounting Brackets

RAGE Powersport Products
 575 W. High Street
 Aurora, MO 65605
 Toll Free (800)-851-6396



Note Hardware May Be Metric - Additional hardware should be purchased for different mounting