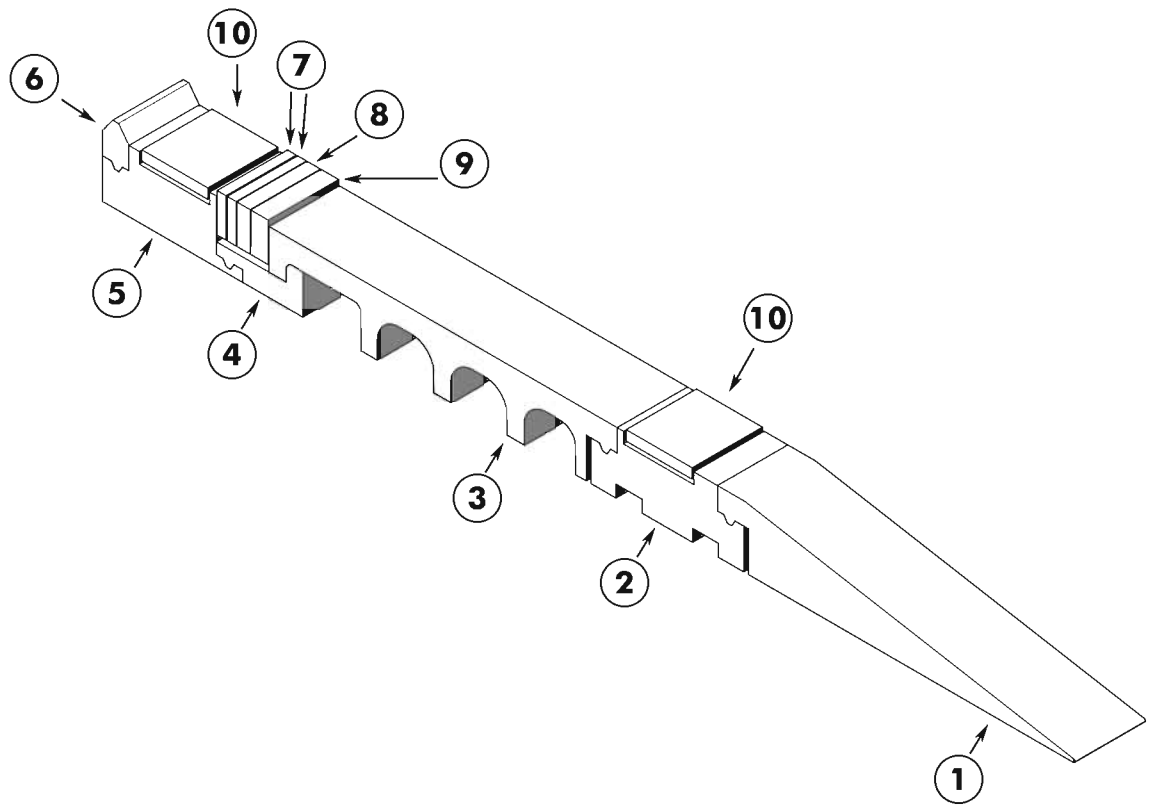


Portable Pit Stop Instructions

v.1.0

Thank you for choosing Race Ramps' Portable Pit Stop



Racer Model Shown

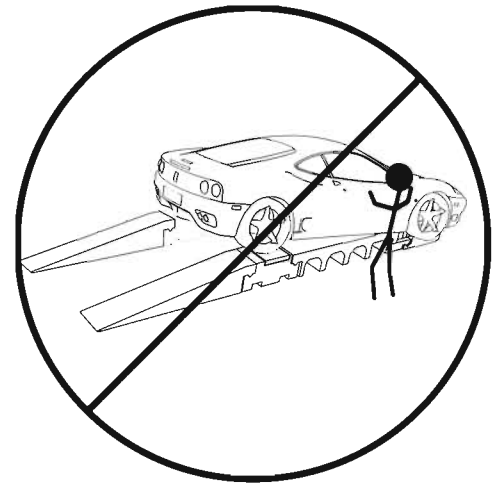


Portable Pit Stop Instructions

⚠ Warnings

Please note: PPS and Portable Pit Stop are used interchangeably throughout this guide.

- **UPON RECEIPT, IMMEDIATELY confirm that ALL pieces are included with the PPS. Consult this guide for a list of all pieces.**
- **CHECK THAT the ramps have not become DAMAGED during loading or shipping.**
- **EACH PIECE should be INSPECTED IMMEDIATELY if it is believed to have been damaged. If there are any concerns, call (866) 464-2788**
- **NO ALTERATION shall be made to these ramps. These ramps CANNOT be cut down, shaved, or modified in ANY WAY.**
- **DO NOT exceed rated capacity of 6,000lbs per PPS ramp set**
- USE ONLY on a level, relatively even surface. Remove all small hard objects such as pebbles or stone, as they can act like ball bearings and they ARE NOT an optimal surface for the PPS to used on. Dirt and sand are acceptable.
- PLACE RAMPS STRAIGHT in line with the front and rear tires. Use a tape measure to ensure they are spaced equidistant from each other the entire length. As you drive up the ramps you MUST stay in center of them, WHEELS POINTED STRAIGHT AHEAD!
- Drive up the ramps with both tires centered on the ramps. DO NOT drive up the ramps with any part of the tire overlapping the edge
- USE ALL PIECES described in the manual. DO NOT attempt to use these ramps in any other way than what is described in this manual.
- MAKE SURE to properly interlock the ramps when using them.
- DO NOT use other materials such as wood or metal in conjunction with the ramps. This includes using jacks or other lifting devices on the surface of the ramp. ONLY use such tools or materials on applicable surfaces, as described in this guide. Only attachments and/or adapters supplied by the manufacturer shall be used.
- DO NOT disconnect brakes, engines, transmission components, drive train, drive shaft, universal joints, or wheels without properly bracing and stabilizing the vehicle.
- NEVER ACCELERATE OR APPLY BRAKES SUDDENLY. Proceed slowly and cautiously. Once the vehicle reaches the top of the ramps, apply brakes only to prevent traveling too far.
- When tires touch front stop area of ramps, PLACE VEHICLE IN PARK (or in reverse gear for manual transmissions). SET EMERGENCY BRAKES. Always use included wheel chocks!
- BEFORE starting work on your vehicle, BE SURE both tires are properly positioned on the ramp's support platform. Use caution in positioning your body clear of danger. Shake vehicle sideways and endways to be sure vehicle and ramps are stable.
- WORKING ON OR UNDER A VEHICLE CAN BE DANGEROUS! Use extreme caution when using the PPS.
- If any doubts exist as to the safe use of this product, remove from service until resolved.
- This warning shall be conveyed in the operator's native language before use of this product is authorized. Make certain that the operator thoroughly understands the inherent dangers associated with the use and misuse of these ramps.
- Any lack of adherence to the above stated warnings can result in voidance of warranty, vehicular damage, or serious personal injury!
- The ramps shall be maintained in accordance with these warnings. It is recommended that these ramps be inspected before and after each use for damage.



Brute Industries, Inc. makes no other warranty whatsoever, expressed or implied, regarding this product including merchantability or fitness of a particular purpose. In no event will Brute Industries, Inc. or its authorized dealers be liable for incidental or consequential damages, even if those damages result from negligence or other fault.

If you have any questions, please call Brute Industries, Inc. Customer Service at (866) 464-2788

Portable Pit Stop Instructions

Overview

The Portable Pit Stop comes in two different models; the Racer model, and the Standard model. The Racer model contains a 2.5" cutout for using a standard 15x15x2.5" scale in. It also features a spacer for filling the gap created when a scale is not in use. The Standard model does not have these features. This guide is applicable to both models; if you have the Standard model, skip the steps regarding the scale cutouts and spacers.

TOOLS REQUIRED FOR ASSEMBLY:
Tape measure

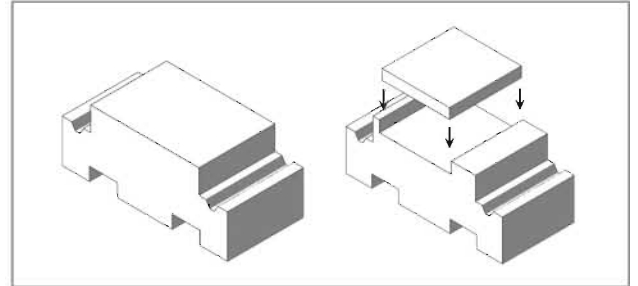


fig. 1 - Standard and Racer model

The Portable Pit Stop ramp system is a lightweight, convenient way to get your vehicle up in the air. It can be used on most surfaces, including sand, dirt, asphalt, concrete etc.

The Portable Pit Stop is adjustable for wheelbase lengths of 98-110".

You can also remove various sections of the ramp once the car is fully secured on top of the PPS platform.

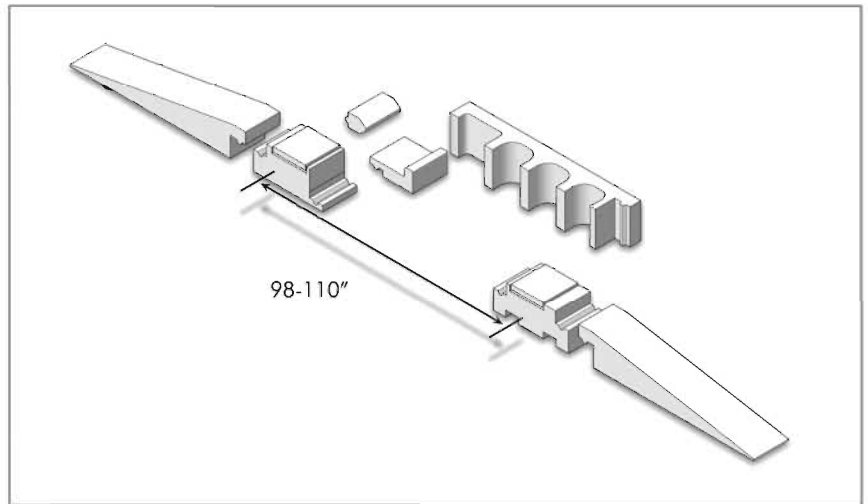
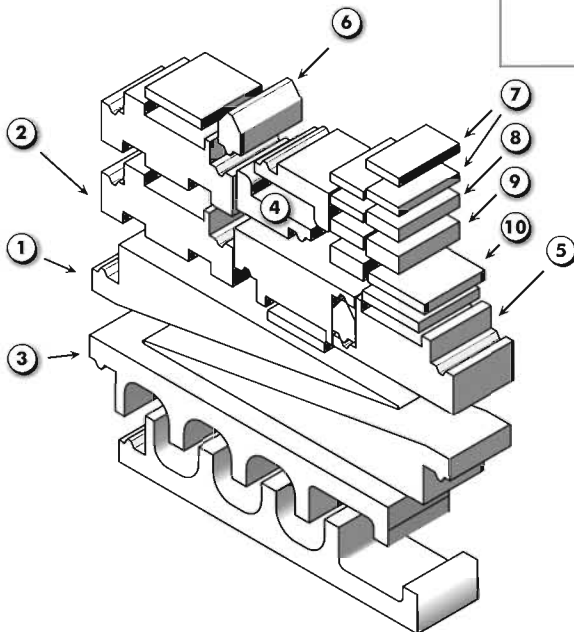


fig. 2 - adjustability



The PPS is also designed so it can be stored in a tight, convenient space when it is not in use.

The ramps (piece 1) are designed to work on both ends, so you do not have to back off.

MAX VEHICLE WEIGHT 6,000LBS

Portable Pit Stop Instructions

Preparation and Assembly

First, examine all the parts that came shipped with the PPS. Refer to the below diagram to make sure you have all the pieces.

- ① Ramp Piece
- ② Front Scale Blocks
- ③ Arched Bridge Piece
- ④ Wheelbase Adjustment Piece
- ⑤ Rear Scale Blocks
- ⑥ Wheel Stop Piece
- ⑦ 2x Wheelbase Spacers
- ⑧ Wheelbase Spacer
- ⑨ Wheelbase Spacer
- ⑩ Scale Spacer

Manual

Jack Plates

Wheel Chocks

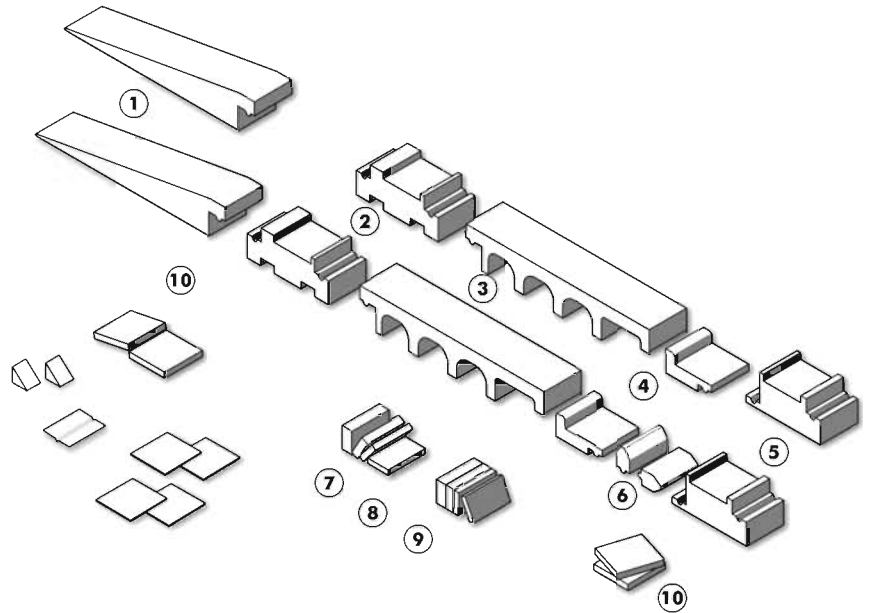
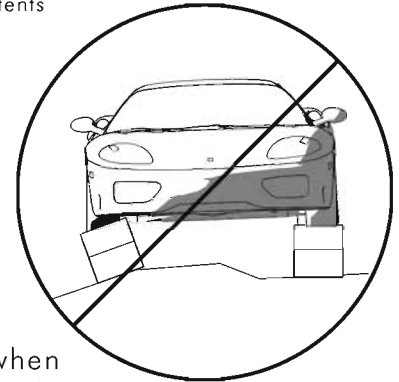


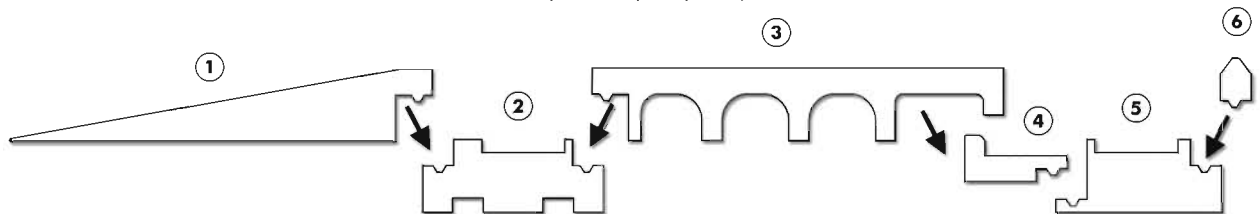
fig. 3 - PPS Package Contents

Take a few minutes to clear your workspace of small debris or particles, such as pebbles or stones. If you are on a hard surface such as asphalt or cement, these can act like small ball bearings and ARE NOT an optimal surface for the PPS to be assembled on, plus they aren't comfortable to work on. Dirt, sand, or grass is acceptable; just make sure it is level.



Make sure you have adequate room for assembling the PPS. You will need at least 19' of space to drive on and back off the PPS when it is fully assembled. If you plan on driving up the PPS and driving down the opposite side, you will to make sure you have adequate space for both the vehicle and the PPS.

Place piece 5 and 6 where you want your front tire to be. From there, place piece 4, 3, 2, and 1 all in order. Make sure each piece properly interlocks.



Measure the distance between the front and rear tires (wheelbase), and the distance between the left and right tires (width) of your vehicle.

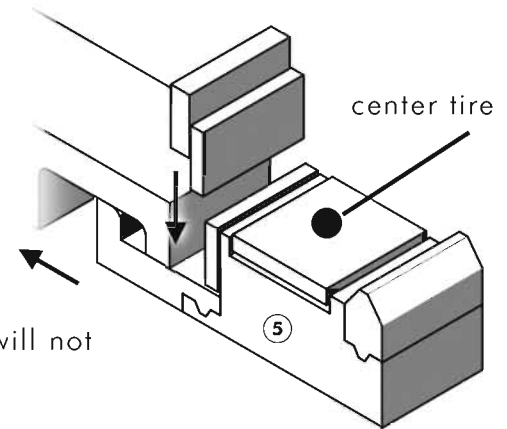
Now assemble the opposite side of the PPS. Use your vehicles width measurement to place the PPS symmetrically.

MAX VEHICLE WEIGHT 6,000LBS

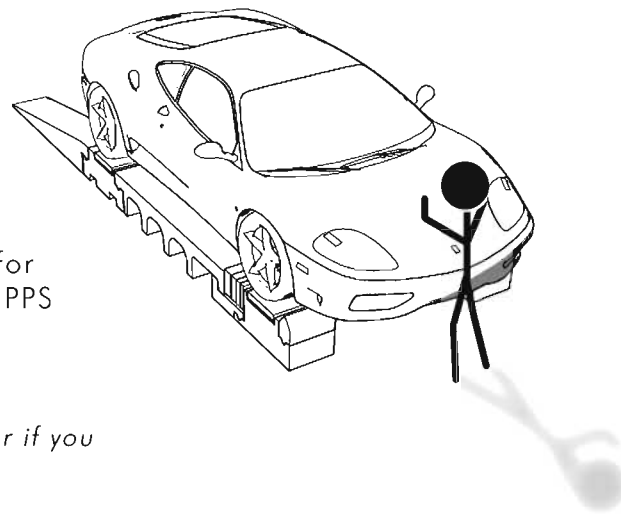
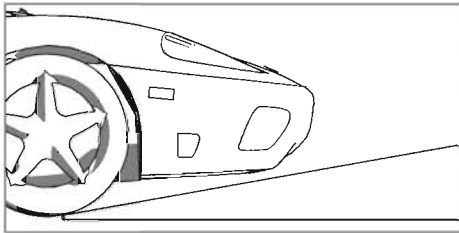
Portable Pit Stop Instructions

Assembly Cont.

Place piece 5 so that your front tire will be centered. If your vehicle has a wheelbase length longer than 98", you will notice a gap will be created. Fill this gap in with the spacers (pieces 7, 8, and 9), like shown. Use as many spacers as required for your wheelbase length; it's ok to have up to 0.5" of space between each spacer.



Now your PPS is fully assembled. Make sure that your car will not scrape as it goes up the ramp section (piece 1).

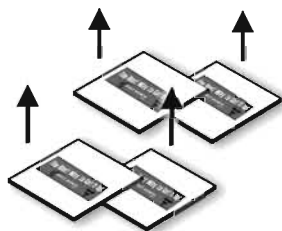


A spotter is **HIGHLY RECOMMENDED** for driving up the PPS safely. Drive up the PPS at a slow, consistent speed. **DO NOT** accelerate or brake violently.

Note: The wheel stop will NOT stop the car if you are going fast! Drive slowly!

USE INCLUDED WHEEL CHOCKS to properly secure vehicle. Once your vehicle is on the PPS, apply your emergency brake and leave the car in gear. Now you can remove all the pieces except 2, 5 and 10, like shown.

If you need to use a jack or other lifting devices, **DO NOT** place directly on PPS! Only use Jack plates for lifting. The Jack plates are marked by "The Best Way To Get It Up" sticker. **DO NOT** place Jack plates on the sloped part of the ramp. Make sure Jack plate is placed evenly, and not overlapping the edges. One of the wheelbase spacers, piece 9, can also function as a Jack Plate; make sure "The Best Way To Get It Up" sticker is facing up! .



MAX VEHICLE WEIGHT 6,000LBS

RACE RAMPS.comTM



RACE RAMPS