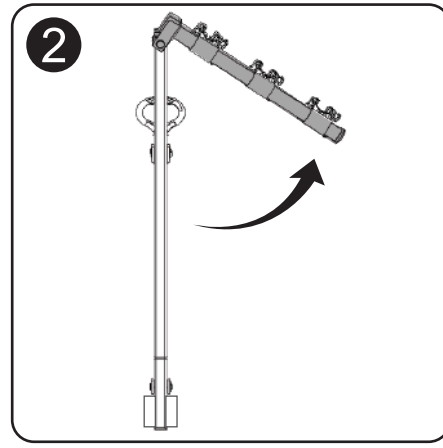
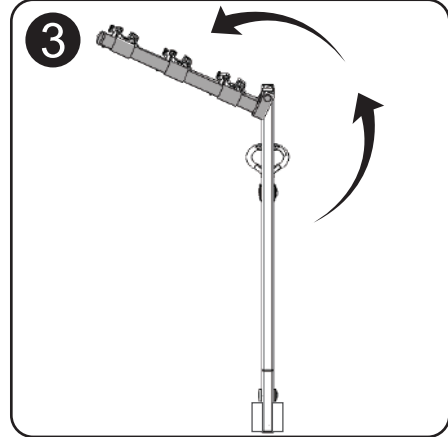


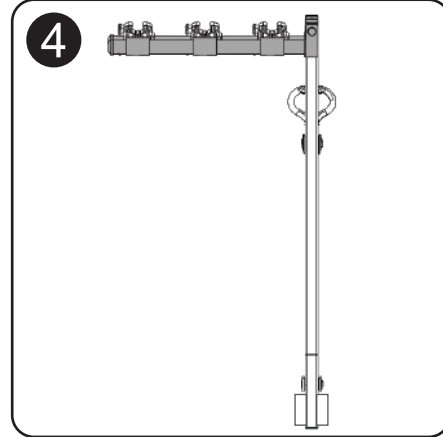
First check all items in the box. bike rack, 1 safety strap, 2 screws, 2 knobs and 6 rubber straps.



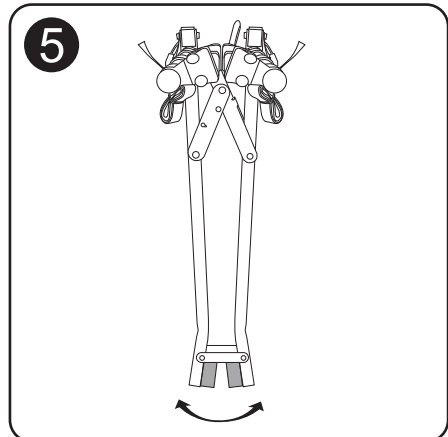
Rotate the supporting arm to the front side.



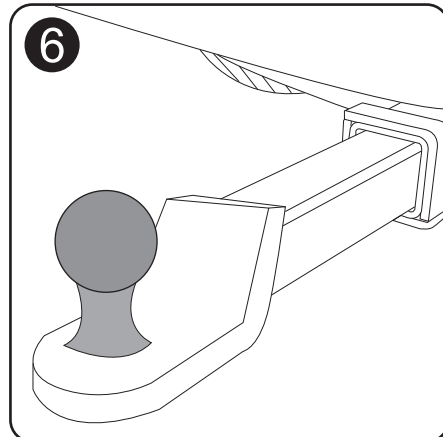
The supporting arms need to be level.



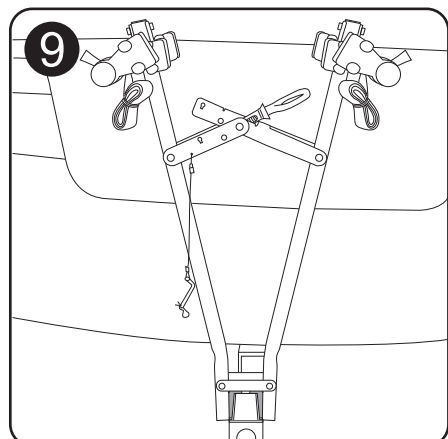
The diagram illustrates the correct placement of supporting arm.



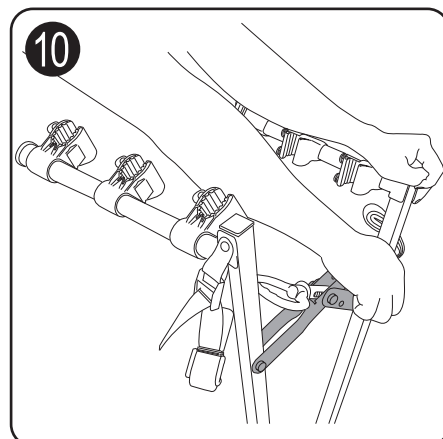
Squeezes the upper part of V rack then the bottom clamp opens up.



Please check if the ball mount is installed correctly and the hitch pin is inserted securely.



Bike rack is almost installed on the square tubing section of the ball mount. Caution: it is important that the bikerack shall not get closer to the bumper to prevent scratch.



Press down on the center plate and ensure the bike rack installs on the square tubing section of ball mount.

- 1 Supporting arm
- 2 Clamp
- 3 Bike holder
- 4 Side strap
- 5 Buckle
- 6 Hooks
- 7 Safety pin for main frame
- 8 Handle bar
- 9 Center plate
- 10 Safety pin for arm

## Instruction

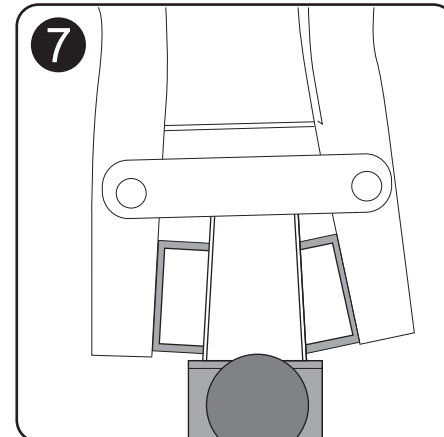


MODEL: (BC-7821-3K)

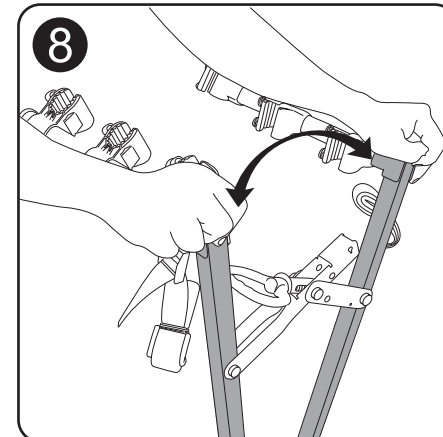


### CAUTION

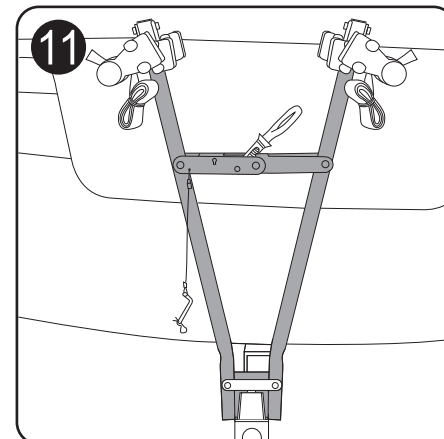
- 1 · This carrier has been designed and manufactured to attach securely to a variety of vehicles. The attachment of this carrier to a vehicle is safety critical and beyond the control of the manufacturer. The user must therefore ensure that the cycle carrier is suitable for use with their particular vehicle and that both carrier and cycles are securely and safely attached to the vehicle.
- 2 · During your journey, frequently check the tension of carrier fixing straps and the security of the cycles carried.
- 3 · Be cautious that the bicycles and bicycle carrier do not come close to exhaust pipe of the vehicle.
- 4 · The maximum load for this bicycle carrier is 100lbs. Do not over load.
- 5 · Reduce the speed when on rough or dirt road.
- 6 · This bicycle carrier is designed for temporary use only, remove when not in use or before going through a car wash.
- 7 · When the national law requires that the light and license plate cannot be obscured, it is necessary to mount the auxiliary light and license board.(sold separately)



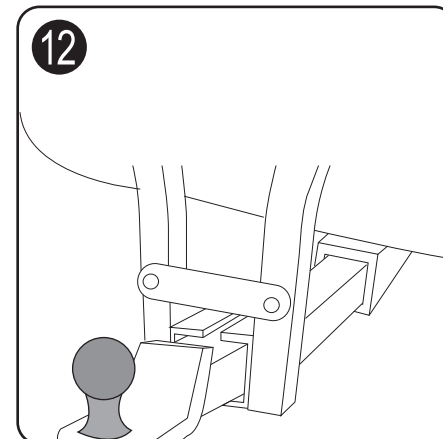
Put the clamp over the square tube section of ball mount.



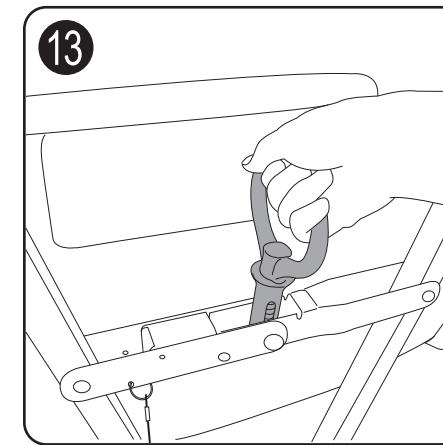
Pull the two side frame apart.



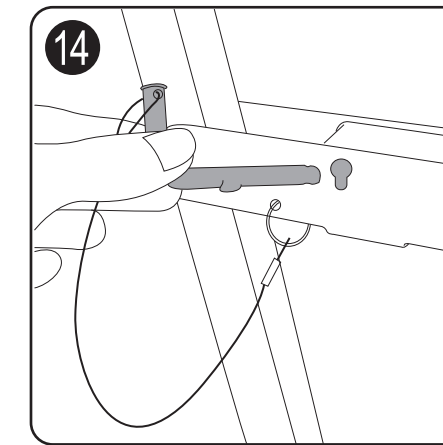
The diagram illustrates correct installation of bike rack on square tube section of ball mount.



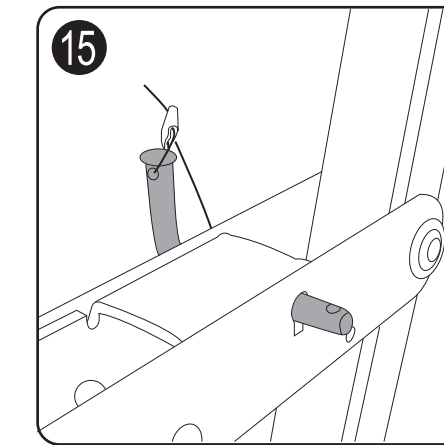
Double check if the bike rack is firmly clamped on the square tube section of ball mount. Shake it to test if it can move. Repeat steps 7 to 11 if needed,



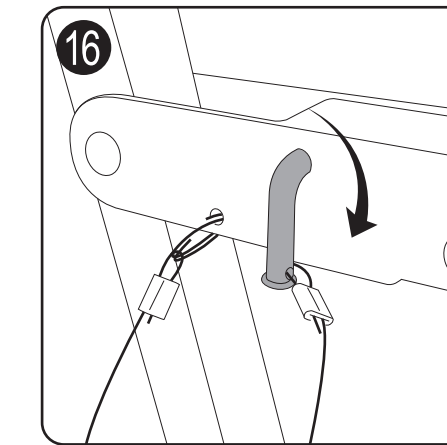
If installation needs to repeat, lift the handle bar to release the bike rack from the square tube section of ball mount.



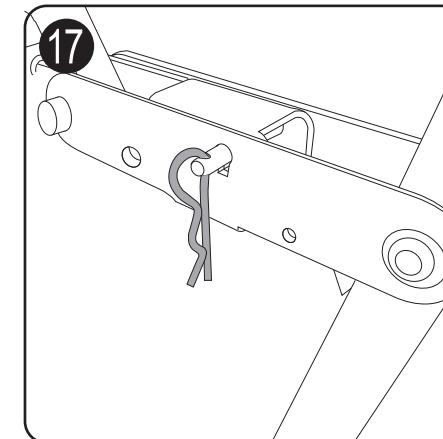
If the installation is correct, plug the safety pin into the hole by align the safety pin to the hole as illustrated in the diagram.



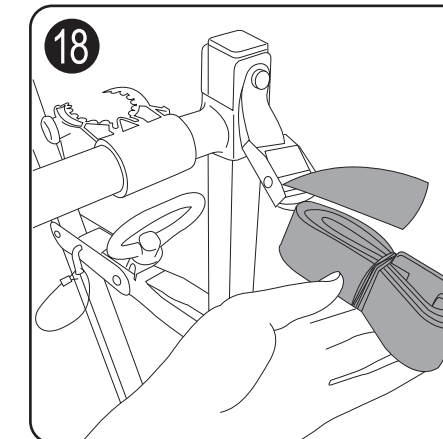
The diagram illustrates the installation of the safety pin.



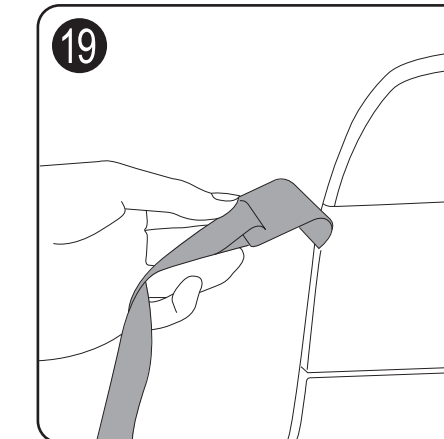
Now turn the safety pin downward to secure the center plate.



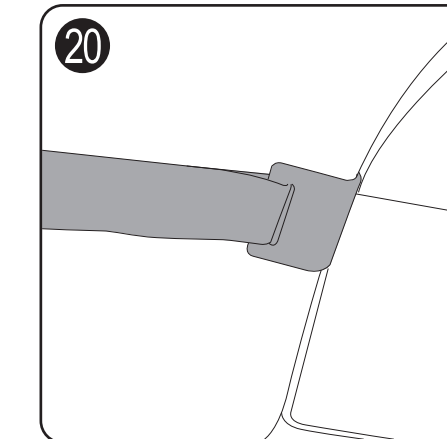
Plug the cotter pin into the hole of safety pin for extra security.



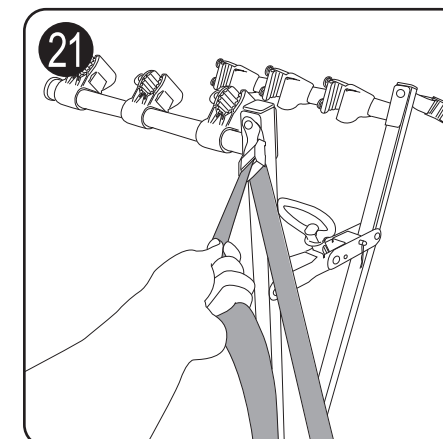
Release the side strap from bike rack.



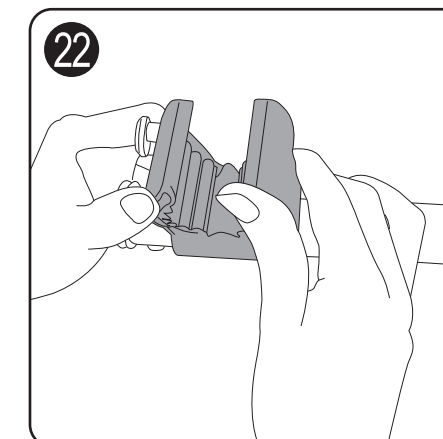
Adjust the length of the strap by pressing the buckle.



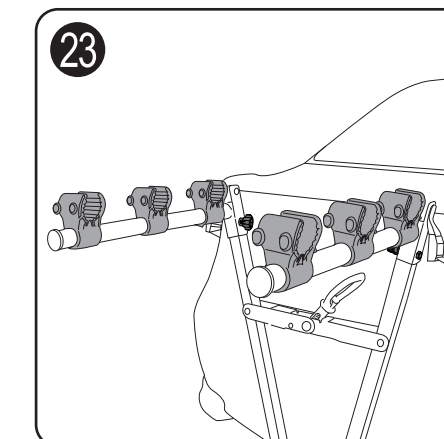
Place the hooks on the space between trunk lid and rear light.



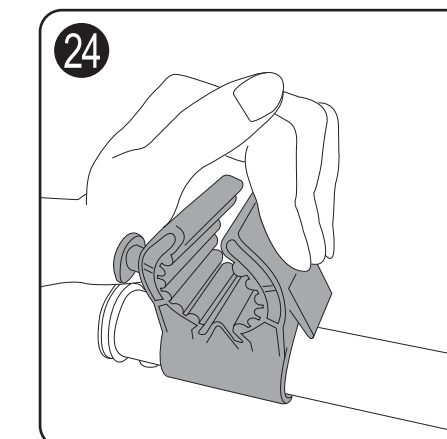
Tighten the strap by pulling it against the buckle.



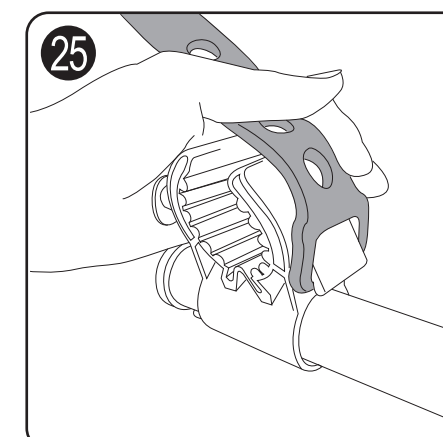
Pull the bike holder upward and prepare for loading bikes.



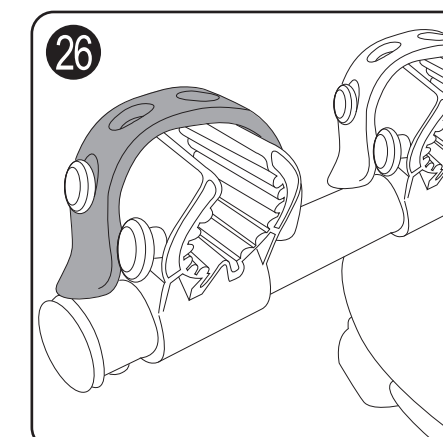
The diagram illustrates the correct placement of bike holders. Insert the safety pins of arm into the hole indicated then use the knobs to tighten it.



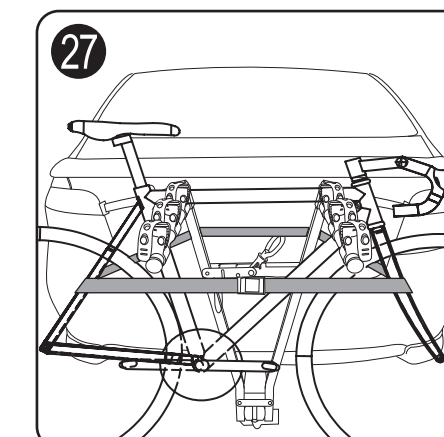
Push the bike holder for easier installation of rubber straps



Snap the rubber strap into the protrusion part of bike holder.



After bikes are mounted, secure the other end of the rubber strap. When you mount your bicycles on the bike carrier, please note the following points. First mount the heaviest bike, Then alternate the direction for the second bike. If your bike has Y frame (ex., lady bike), we recommend using bike adaptor which may create an artificial top tube between handle bar stem and seat tube.



The diagram illustrates the final installation of bike rack. Use the extra safety strap to tie down bikes for additional security. Retighten the lateral straps and tie off the surplus lengths of strap at the base of the buckles for extra security and to prevent the loose ends flapping.