

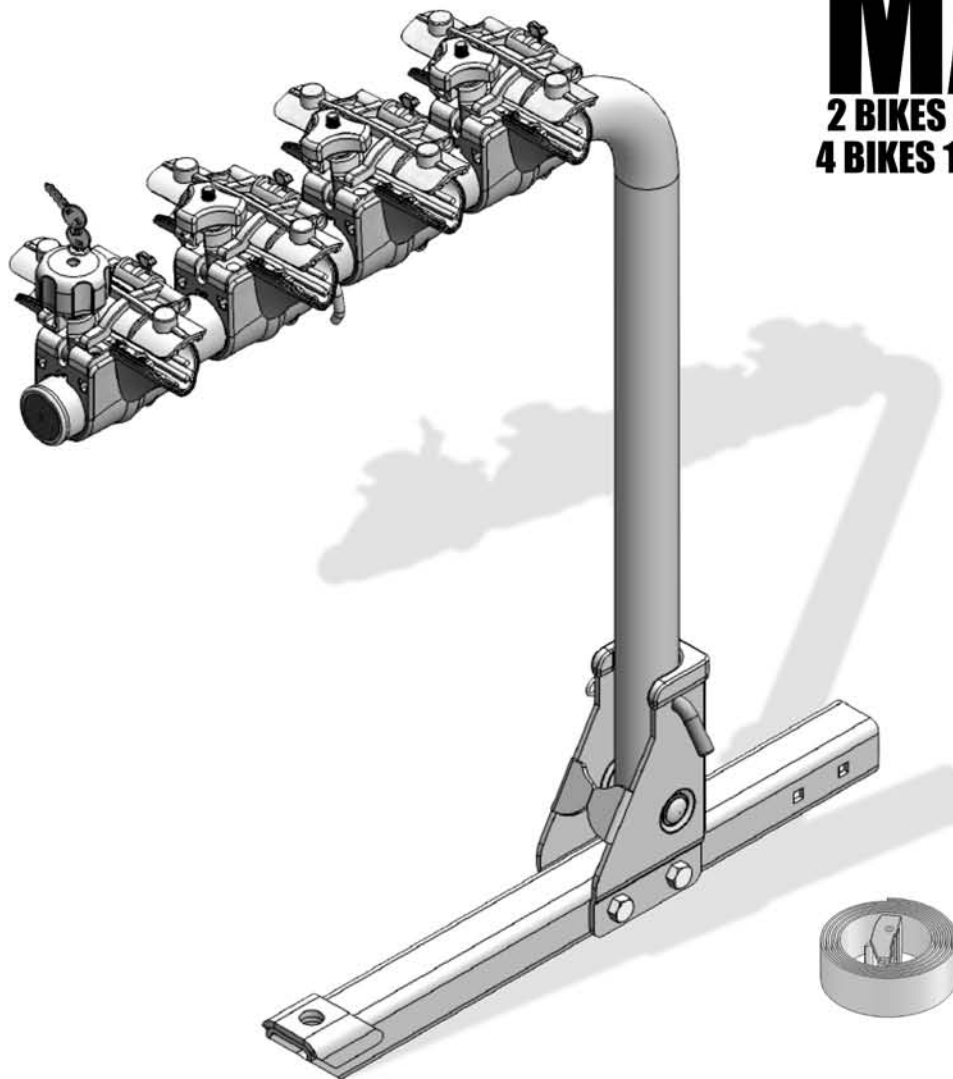
Towing Hitch Bike CARRIER

Installation Manual

BC-06812-2+2-EGL 2"

2+2

MAX
2 BIKES 90Lb 40Kg
4 BIKES 180 Lb 80Kg

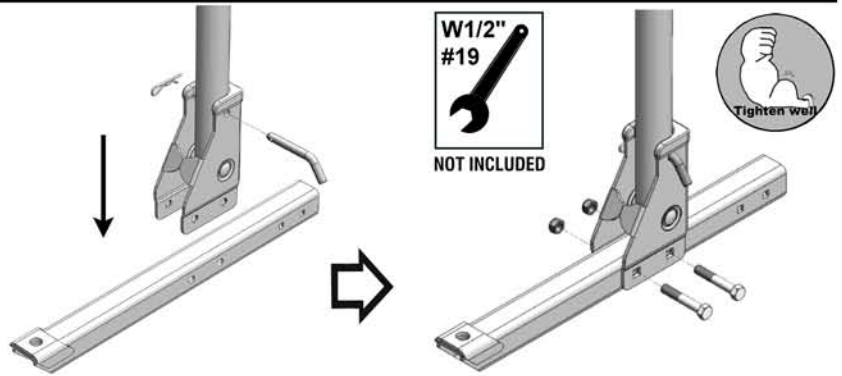


CAUTION :

- 1.The capacity of BC-06812-2+2-EGL is 4 bicycles.It is dangerous if exceed it.
- 2.Please check all the parts are fixed well before departure.Reduce the speed under 30 km when the road condition is bad.
- 3.Try do not cover the back lights of the car when fixed the bicycle to secure the safety.

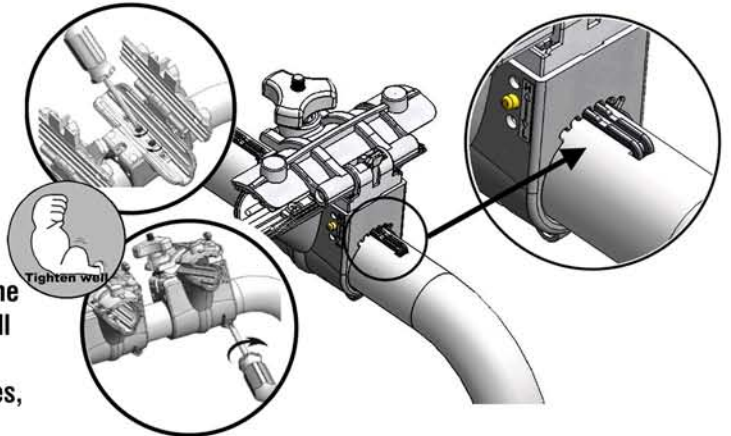
1 Install TUBE

Slide the BC-06812-2+2-EGL 2" into trailer hitch receiver until hole in horizontal tube aligns with receiver hole.
Secure in Position with cutter PIN and R-PIN.

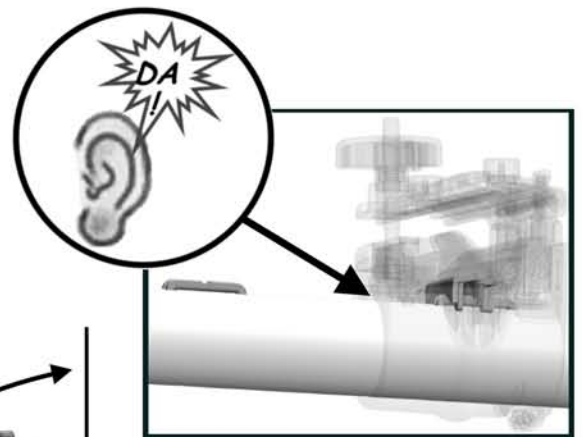
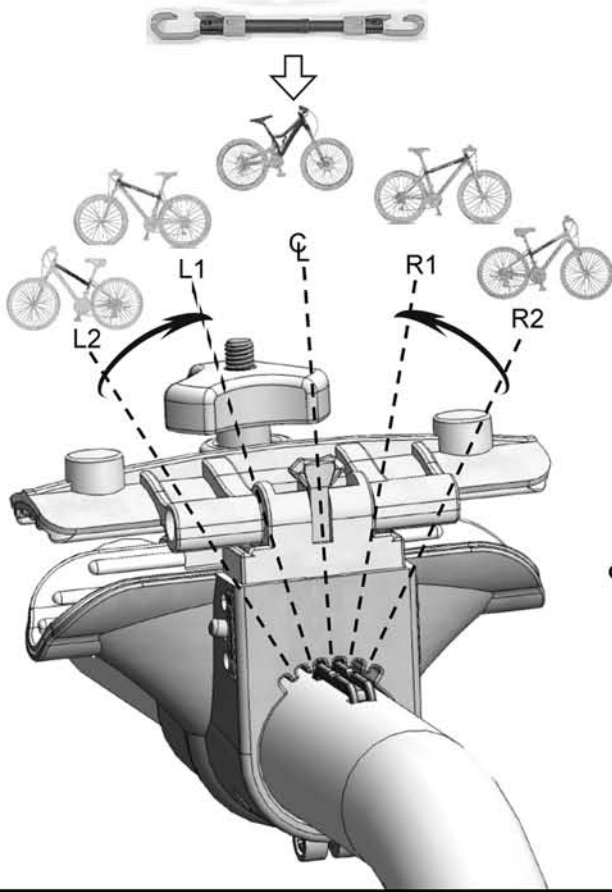


2 Install the plastic cradle

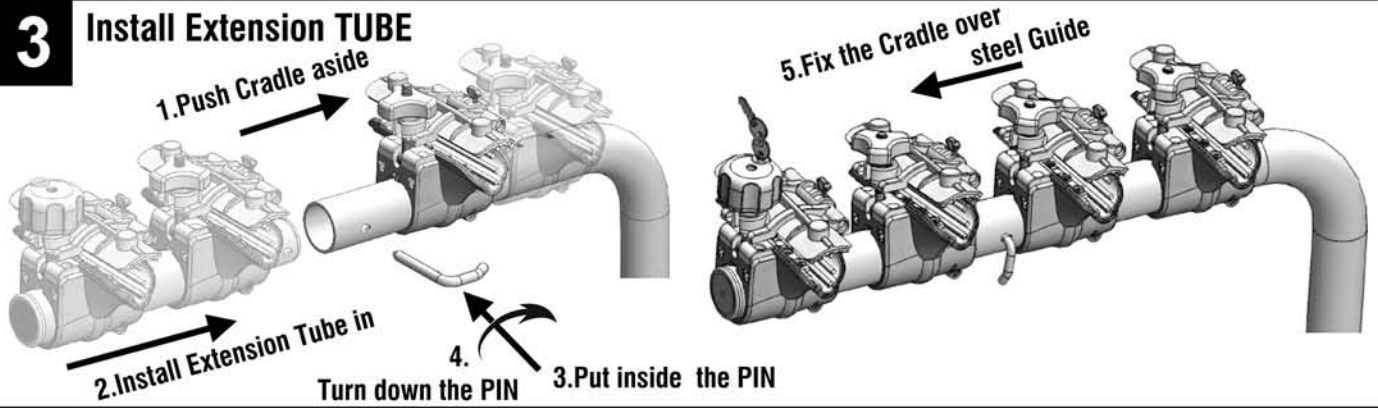
To put the Cradle (without lock knob) first straight through the steel guide on the tube but not yet fixed to each position (will do in the next step).
The Cradle has 5 angle (2 left, 2 right and 1-vertical) degrees, you can choose the right angle to fix your bicycle.
To put your bicycle frame inside the Cradle and to stay the seat post as close as to the Cradle. It is the best angle when the two bike wheels is in horizon.



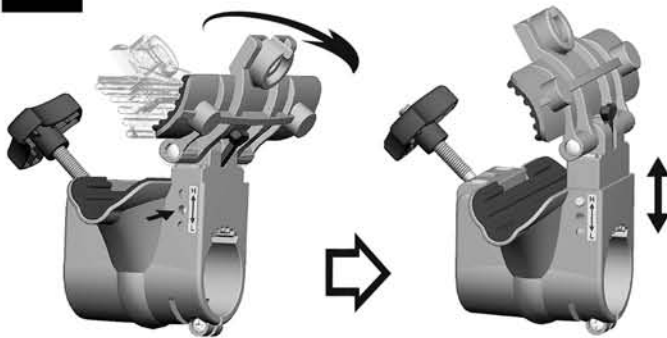
To take off the bike and fix the Cradle over the steel guide. It is just match when you feel the click of the Cradle part touch the steel guide. When each position is matched, please tighten each Knob screw.
The Cradle with lock Knob is the last sequence installed to the Rack, please note.



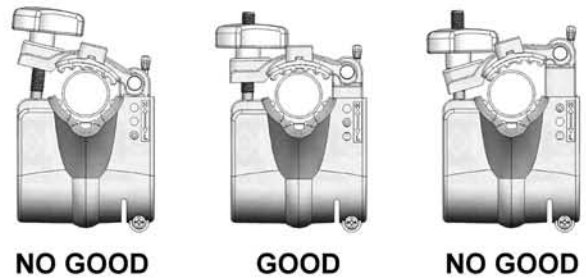
3 Install Extension TUBE



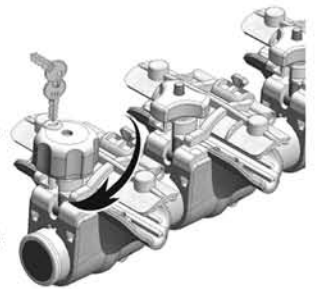
4 Caution



To loose the Knob screw and put down the screw.
 Open the cover of the Cradle and move the adjustable button.
 To adjust the idea size.
 Size range: 1-1/8"-1-3/4" diameter.
 Please choose the most tightly size.



To place the bicycles face to two directions for every other bike over the Rack.
 Please tighten the Knob lock and take out the key after you place the bicycles over the Bike Rack.



The Carrier is designed to fit into a standard 50X50mm hitch receiver.

1. Slide the Carrier into the hitch receiver as illustrated.
2. The hitch has two location holes :
 A and B. Align the hitch receiver hole with the hitch location hole that best suits your vehicle.
3. Slide in bolt, carriage with nut and washer.

