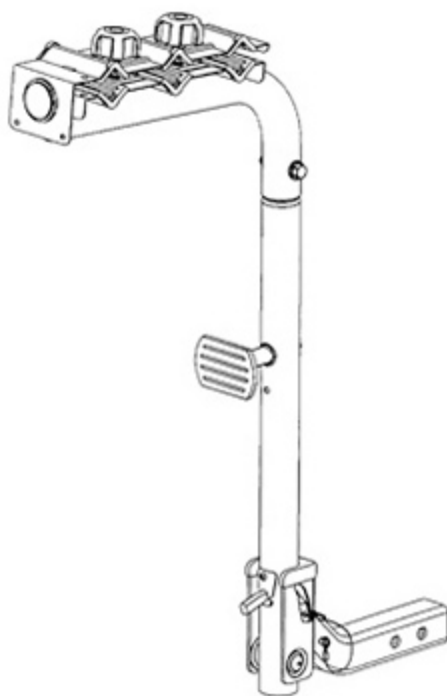
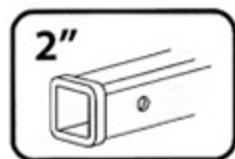
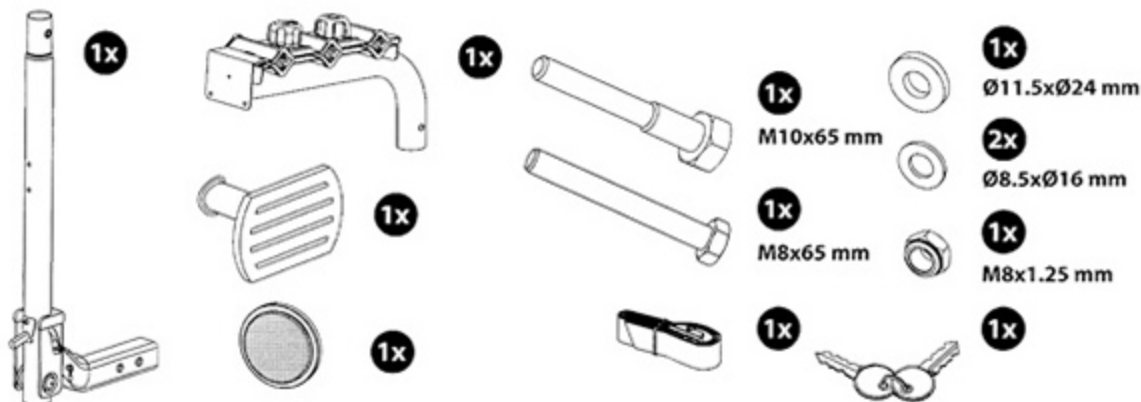
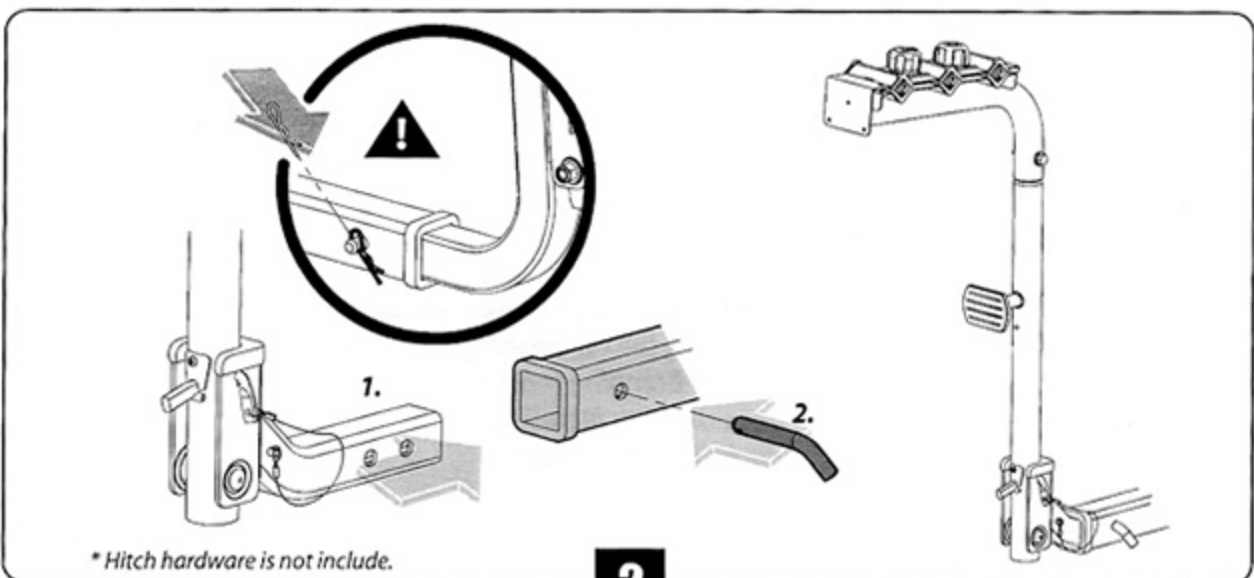
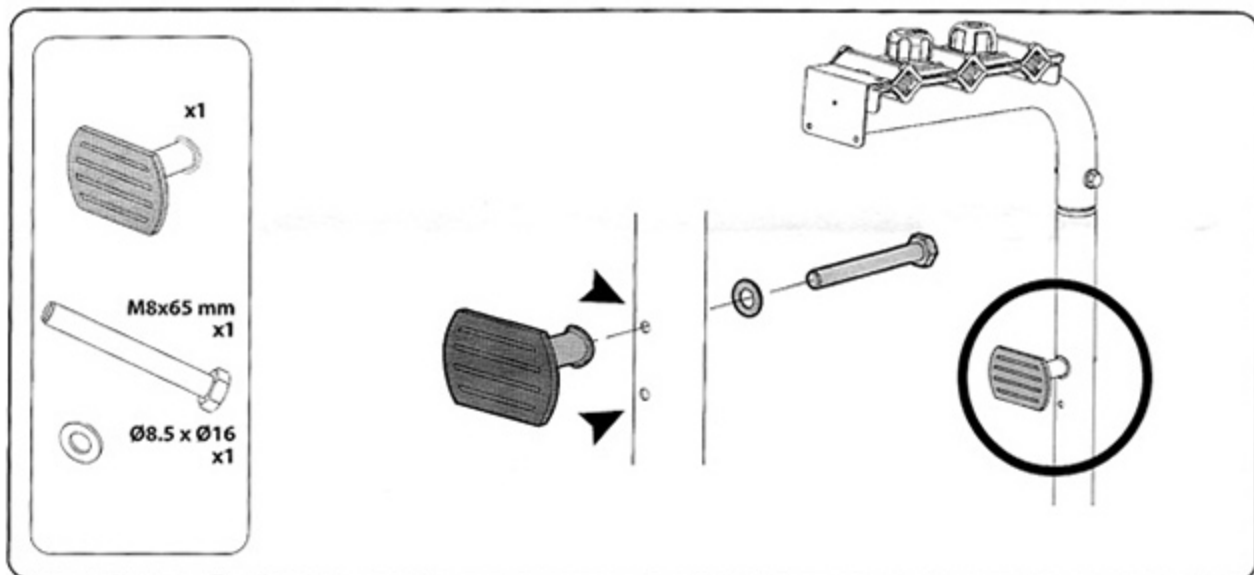
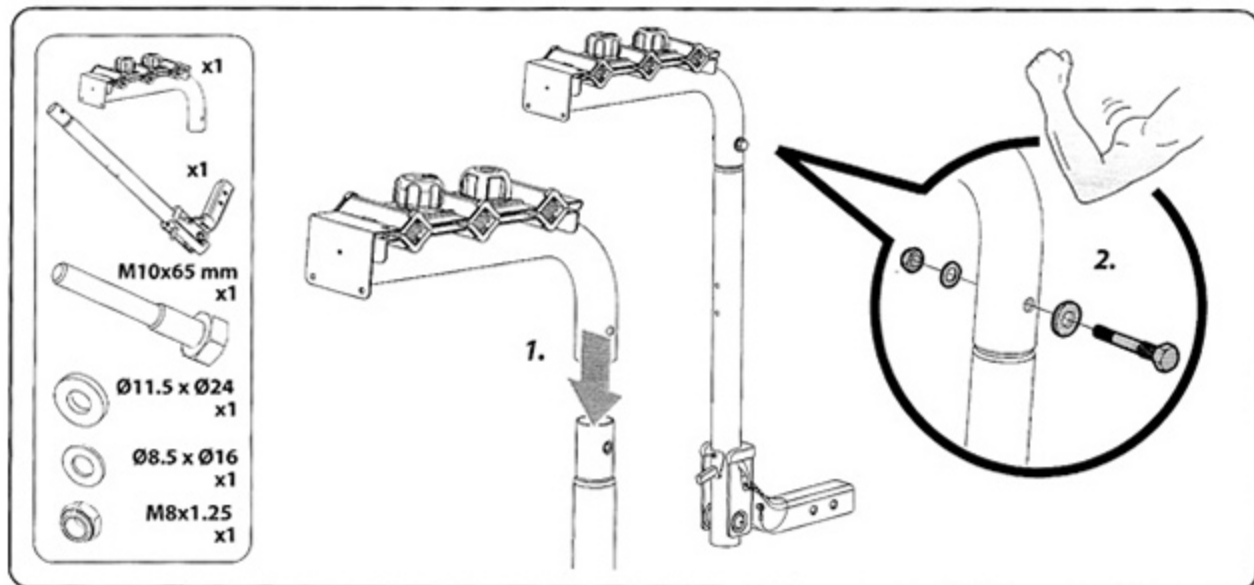


BC-6808-3A**HITCH BIKE RACK****PART LIST****WARNING**

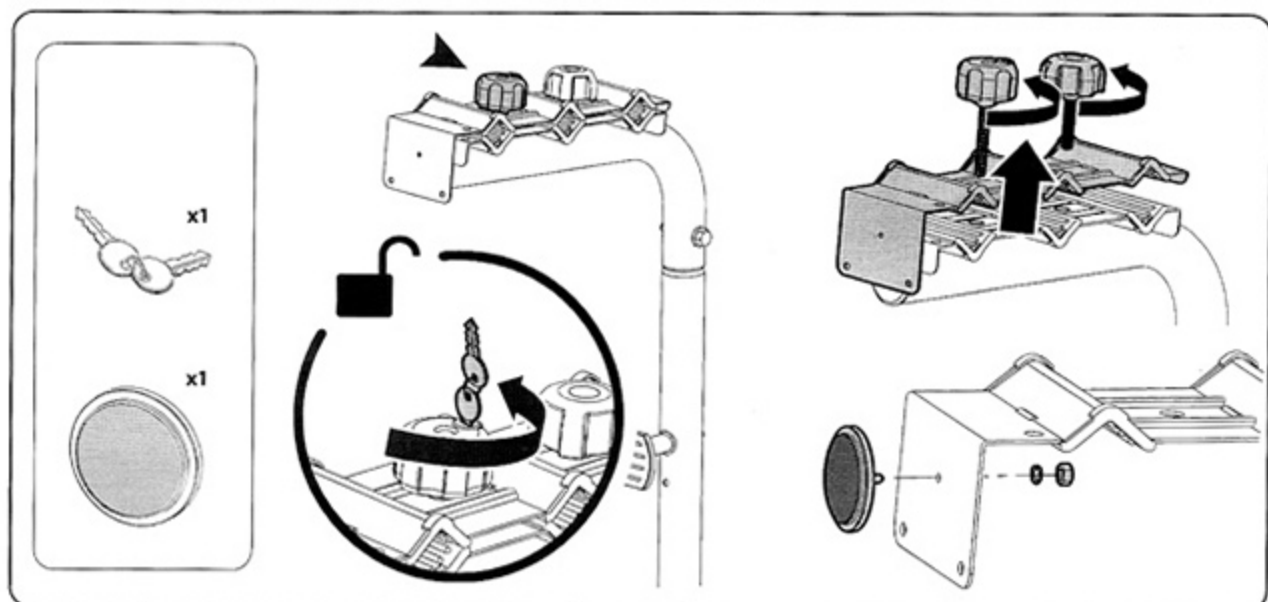
CAPACITY MAX 45kgs-3 Bikes

1. Fits 2" hitch receiver.
2. This bike rack is designed for transporting regular bicycles. After installing the rack on the vehicle, make sure all bolts are tightened and safety pins are inserted.
3. Take off the bike rack before going through the car washing machine.
4. Slow down the speed while driving on the bumping road.
5. Be aware of the extended length of the car after installing the rack.
6. Remove the bikes from the rack before tilting operation.
7. Keep the bike tyres away from the car exhaust.
8. No zigzag driving.

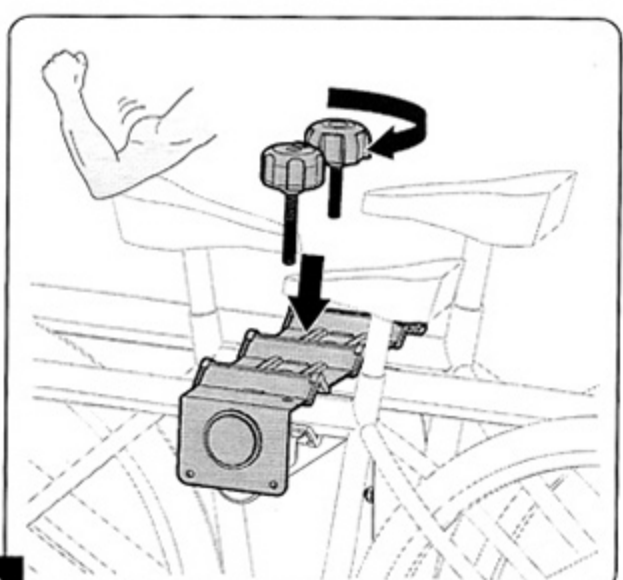
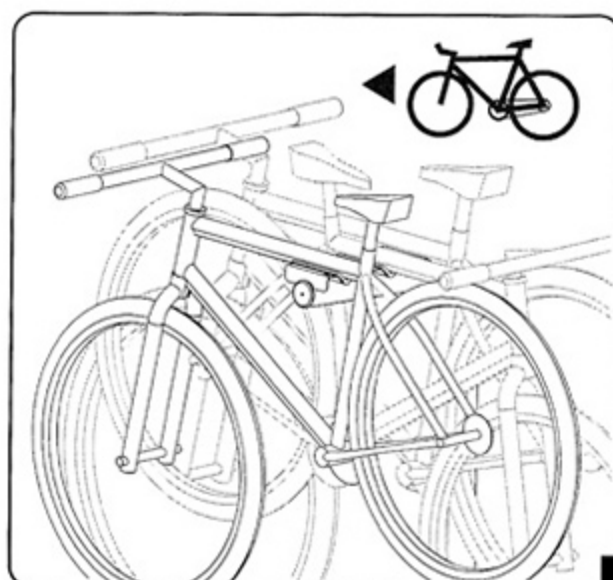
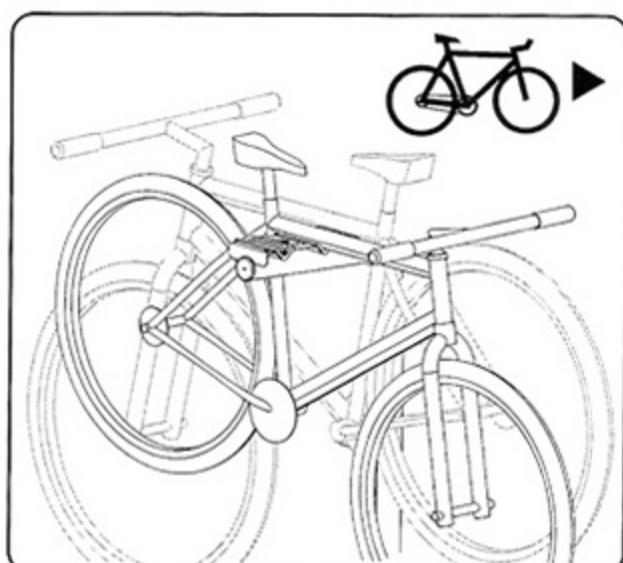
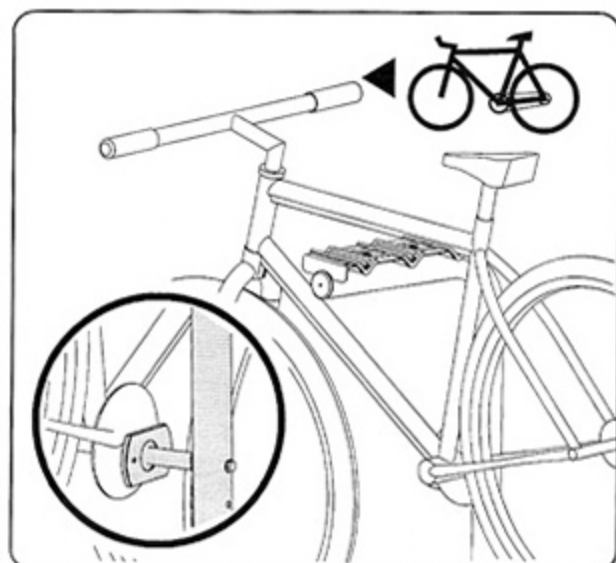
ASSEMBLY

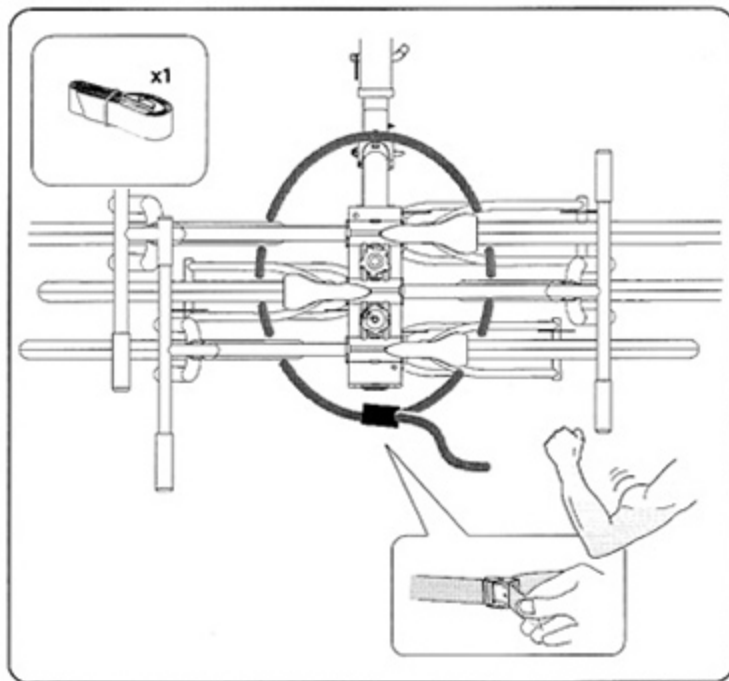
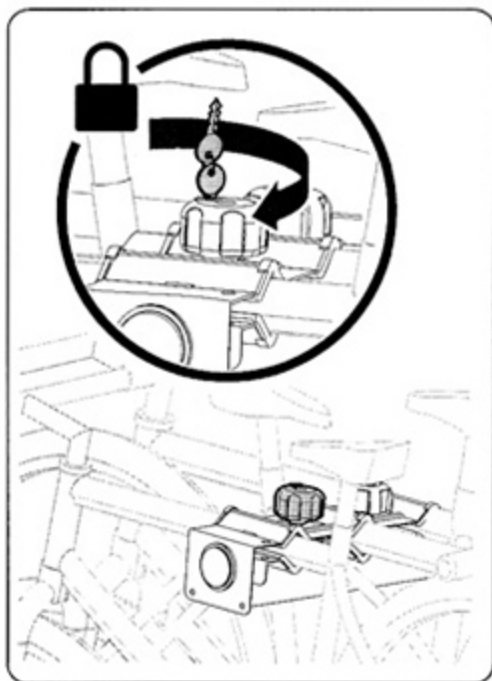


* Hitch hardware is not include.



BIKE INSTALLATION





WHEN FOLDING...

