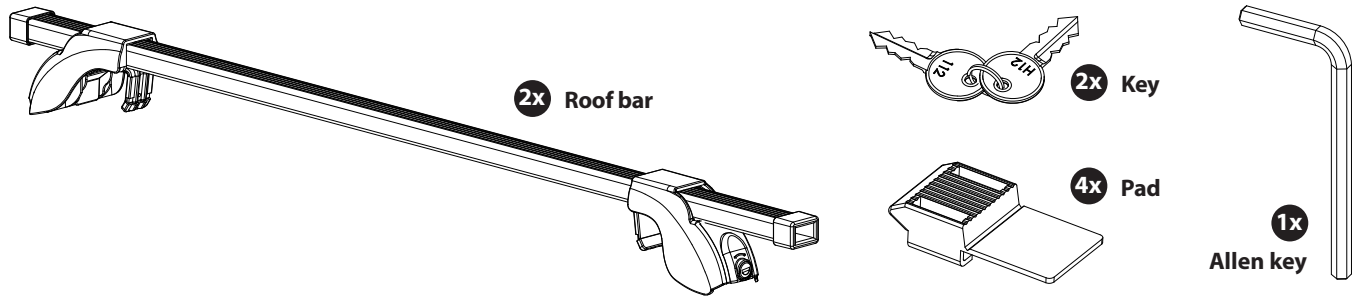


ROOF RACK

LB-8303

PARTS LIST



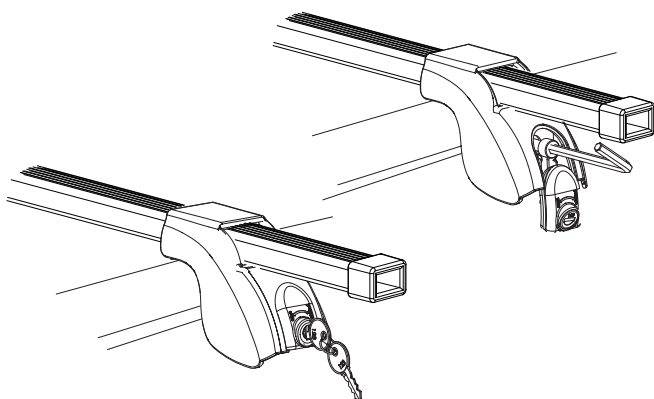
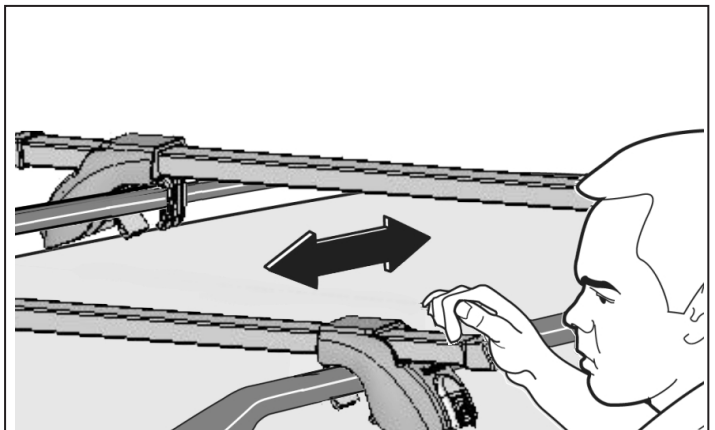
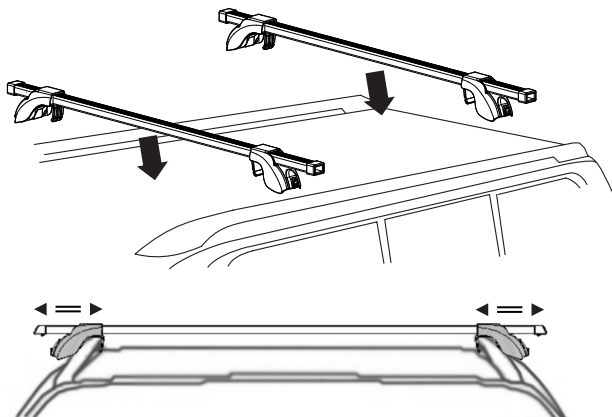
Product Instruction :

- (1) This product can fit any vehicles with side raised rails.
- (2) We apply consumer-friendly design.

Remarks :

- (1) Capacity: 60kgs
- (2) The objects carried should be fixed properly.
- (3) To enhance the corrosion resistance, please apply lubricating oil on hardwares once a while.

INSTALLATION ON THE CAR



Step 4: Lock the bars. Check that the load bars are securely fastened by trying to slide each foot separately.

