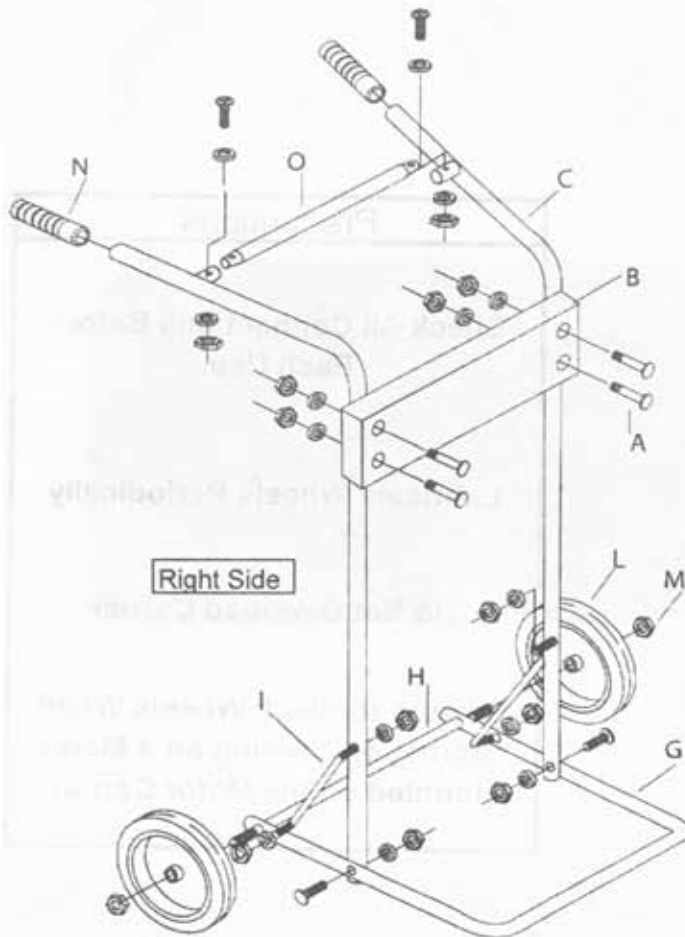


Outboard Motor Carrier

85 Pound Capacity PT# 31-0100

Recommended for motors up to 15 H.P.*



Parts List

ref	part #	QTY	description
A	31-0120	4	M6*70mm carriage bolt
B	31-0121	1	Recycled plastic block
C	31-0122	1	left upright tube
D	31-0123	1	right upright tube
E	31-0124	12	Lockwasher
F	31-0125	12	M6 nut
G	31-0126	1	U-Tube
H	31-0127	1	axle
I	31-0128	2	Angled brace supports
J	31-0129	2	M6*30mm Bolt
K	31-0130	2	M6*55mm Bolt
L	31-0131	2	Wheel
M	31-0132	2	Wheel locking nut
N	31-0133	2	Hand Grip
O	31-0134	1	Upper Spreader Bar

**Check Contents against Parts list.
Read Instructions on Reverse before Assembling**

Tools Required for Assembly

1. Adjustable Wrench
2. Screwdriver
3. Hammer

ASSEMBLY INSTRUCTIONS

Use 55mm Bolts for Unions that have two overlapping tubes

First Assemble all parts finger tight, then tighten with a wrench when assembly is complete.

- 1) Insert One Angle Brace (I) into the hole in the U-Tube on the right side as shown in the diagram and attach with a washer and nut, finger tighten only.
- 2) Install the Right side upright tube (D) fasten the angle brace (I) to the tube with washer and nut.
- 3) Install a Bolt (K), washer and nut to fasten the upright tube to the U-Tube.
- 4) Insert the spreader bar (O) into the small female tube at the top of the Right Upright tube (D) and fasten with bolt (J), washer and nut. Finger tighten only.
- 5) Repeat Steps 1-4 for the left side of the carrier
- 6) Slide a wheel (L) over the end of the axle (H) and secure with a Nylock Axle Nut (M). Repeat on the opposite side.
- 7) Push the carriage bolts (A) through the holes of the Plastic Block (B). You may need to use a hammer to tap the bolts through the holes.
- 8) Insert the carriage bolts through the corresponding holes on the Upright tubes and secure with nuts and washers. Note: for Motors over 5 hp, it is recommended to install the plastic block on the back side of the upright tubes for greater stability.
- 9) Use a wrench to tighten all fasteners securely before using.

Precautions

Check All Connections Before Each Use.

Lubricate Wheels Periodically

Do Not Overload Carrier

Be sure to Block Wheels When Storing or Working on a Motor Mounted on the Motor Carrier.