

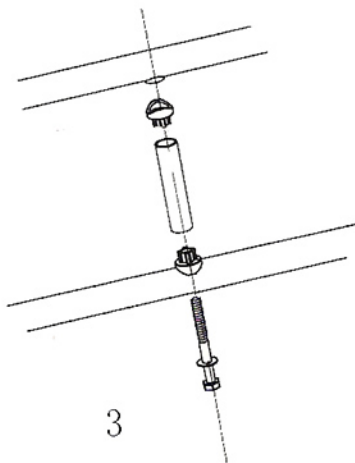
INSTALLATION INSTRUCTIONS

(1) Parts List

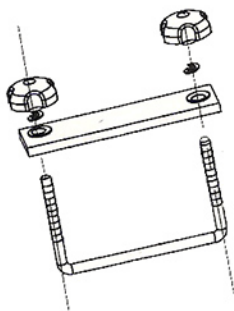
NUMBER	ITEM	DESCRIPTION	QUANTILY
1	CARRIER	TUBE	1
2	CARRIER	TUBE MESH	1
3	PLASTICS WASHER		6
	TUBE	19X1.5X82	6
	HEX BOLT	M8X1.25X150	6
	FLAT WASHER	M8(1.5, 18)	6
4	U BOLT	M6-1.0	4
	STAMPING1		4
	HAND WHEEL NUT	M6-1.0	8

NUMBER	ITEM	DESCRIPTION	QUANTILY
4	FLAT WASHER	M6(1.5, 16)	8
	SPRING WASHER	M6	8
5	FLAT of PMMA		1
	STAMPING 02		2
	STAMPING 03		1
	HEX BOLT	M8-1.25X15	6
	CAP SCREW	M6-1.0X15	3
	HEX NUT	M6-0.8	3

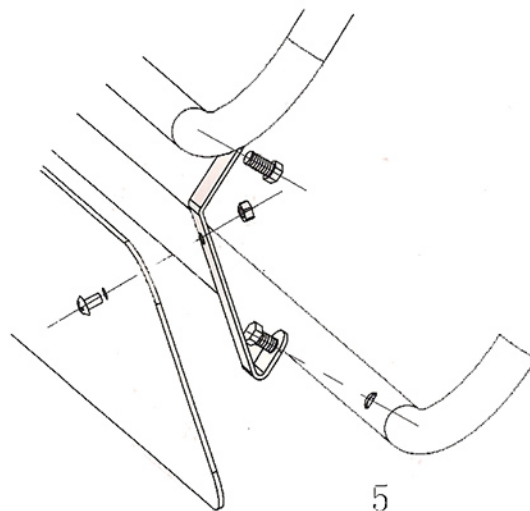
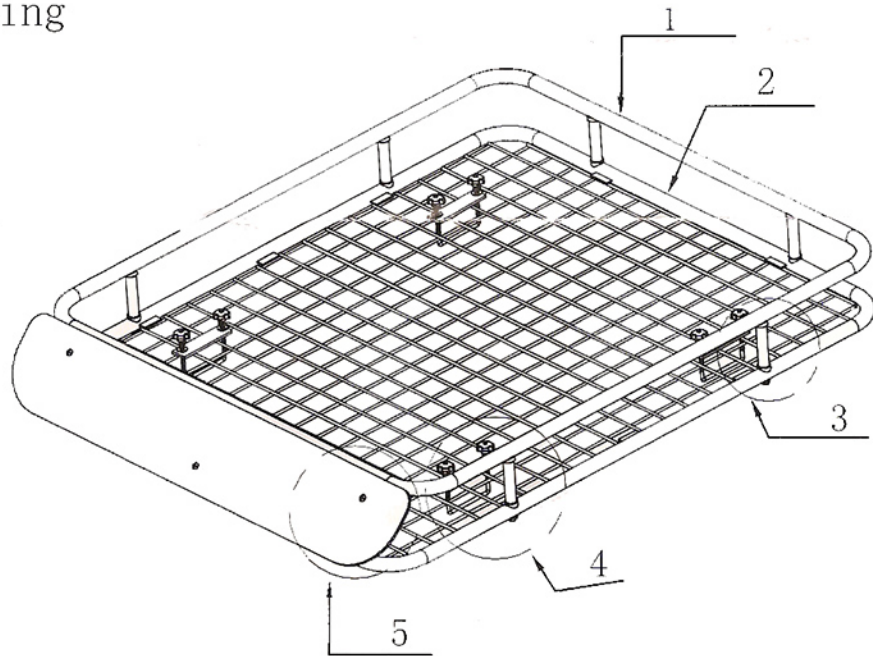
(2) Installation Drawing



3



4



5