

U N I V E R S A L R O O F R A C K C R O S S B A R S

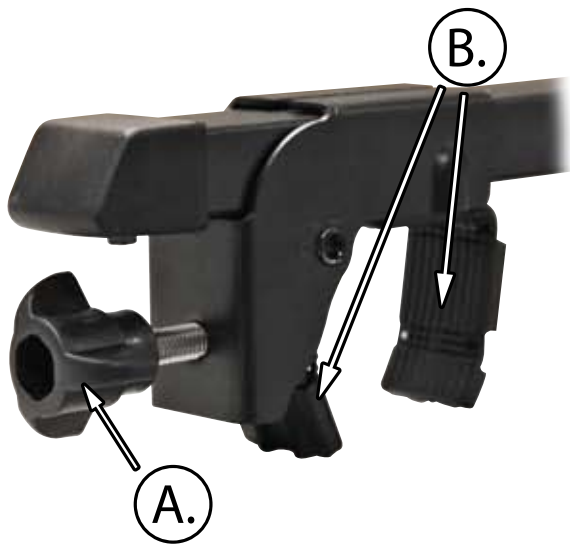
RLB-2301 I N S T R U C T I O N S

* These cross bars are universally designed to fit on S.U.V.'s and Vans that have existing roof side bars. *

* Max Inside Width Apart: 41" *

* Max Side Bar Width: 1 3/4" *

* Min. Height from Top of Side Bars to Roof: 1 3/4" *



A. Adjustment Knob

B. Rubber Coated Grips



Assembly:

1. Set the RLB-2301 cross bar on the top of the vehicle. Use adjustment knob (A.) to open the rubber coated grips (B.) and place over existing side bars.
2. Measure the proper distance necessary to safely support your cargo and adjust the location of the RLB-2301 cross bars on the roof accordingly.
3. Secure cargo on top of the RLB-2301 cross bars.
4. Ensure the cargo is secured properly and tighten adjustment knob (A.) securing the rubber coated grips (B.) tightly to the vehicle side bars.

Warnings:

1. Do not exceed 130 lbs. evenly distributed across bars!
2. Not designed to work on side bars wider than 41"!
3. Will not grip on angled side bars!
4. Rubber Coated Grips (B.) should not be in contact with the roof of the vehicle!
5. Make sure all cargo is properly secured before departing!
6. To prevent rusting, apply lubricating oil on bolts after washing the vehicle or driving in wet weather.