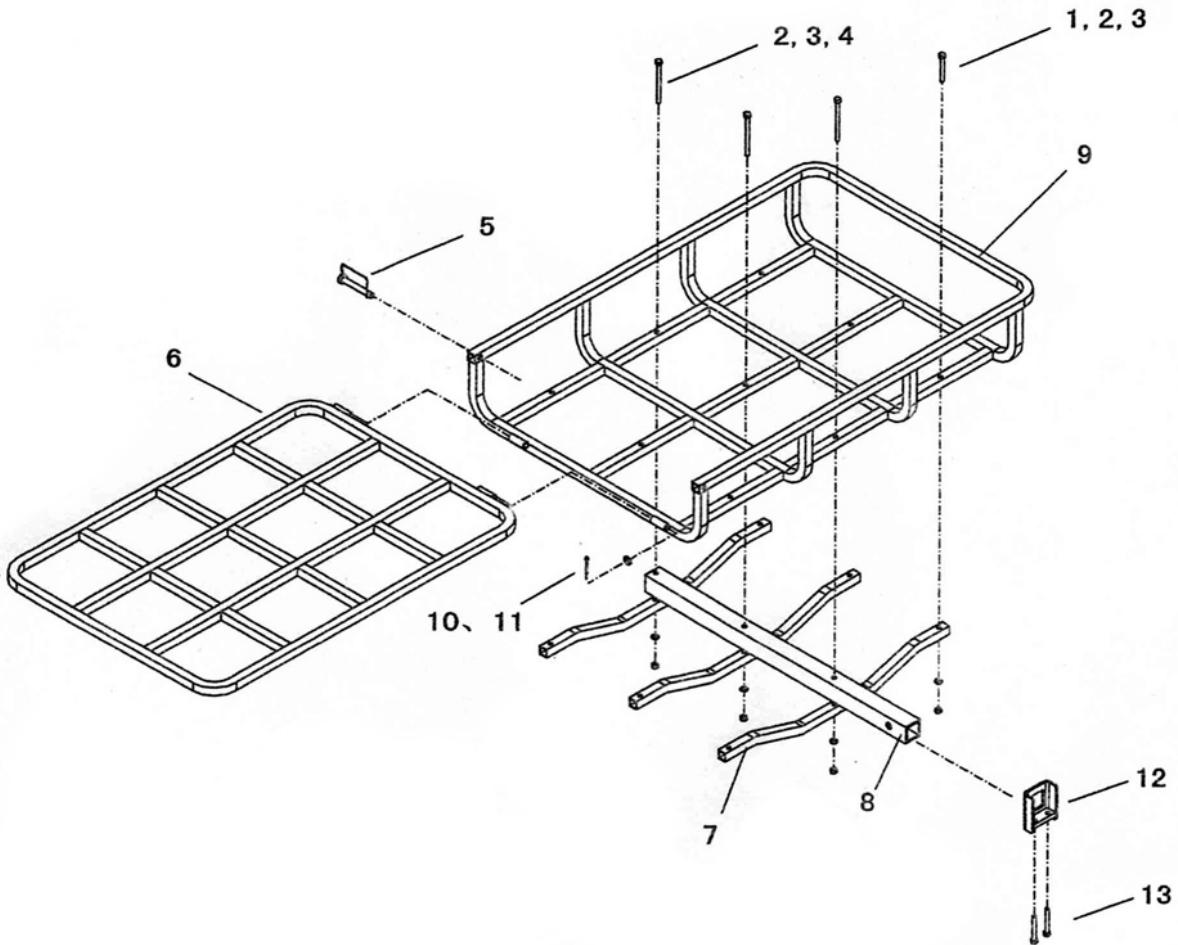


500LBS Excess cargo carrier



PART	DESCRIPTION	QTY
1	Bolt M10X120	3
2	∅10 Washer	9
3	Nut M10	9
4	Bolt M10X65	6
5	∅12 Pin	2
6	Part 1	1
7	Support 1	3
8	Support 2	1
9	Base	1
10	∅12 Washer	2
11	Pin	2
12	Part	1
13	Bolt M12X50	2