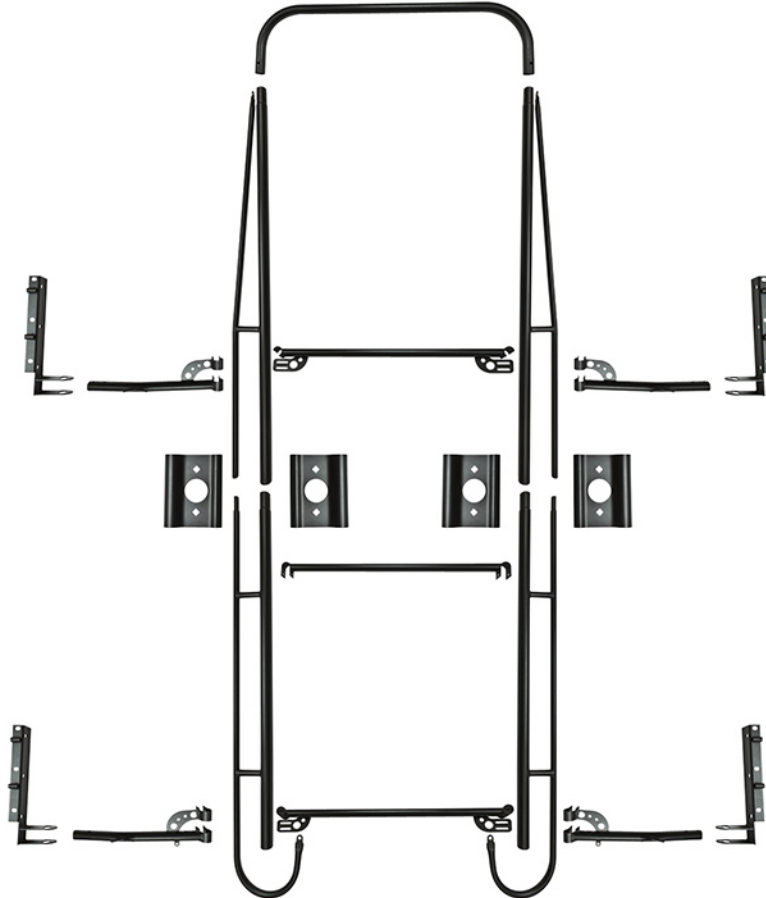




# INSTRUCTIONS

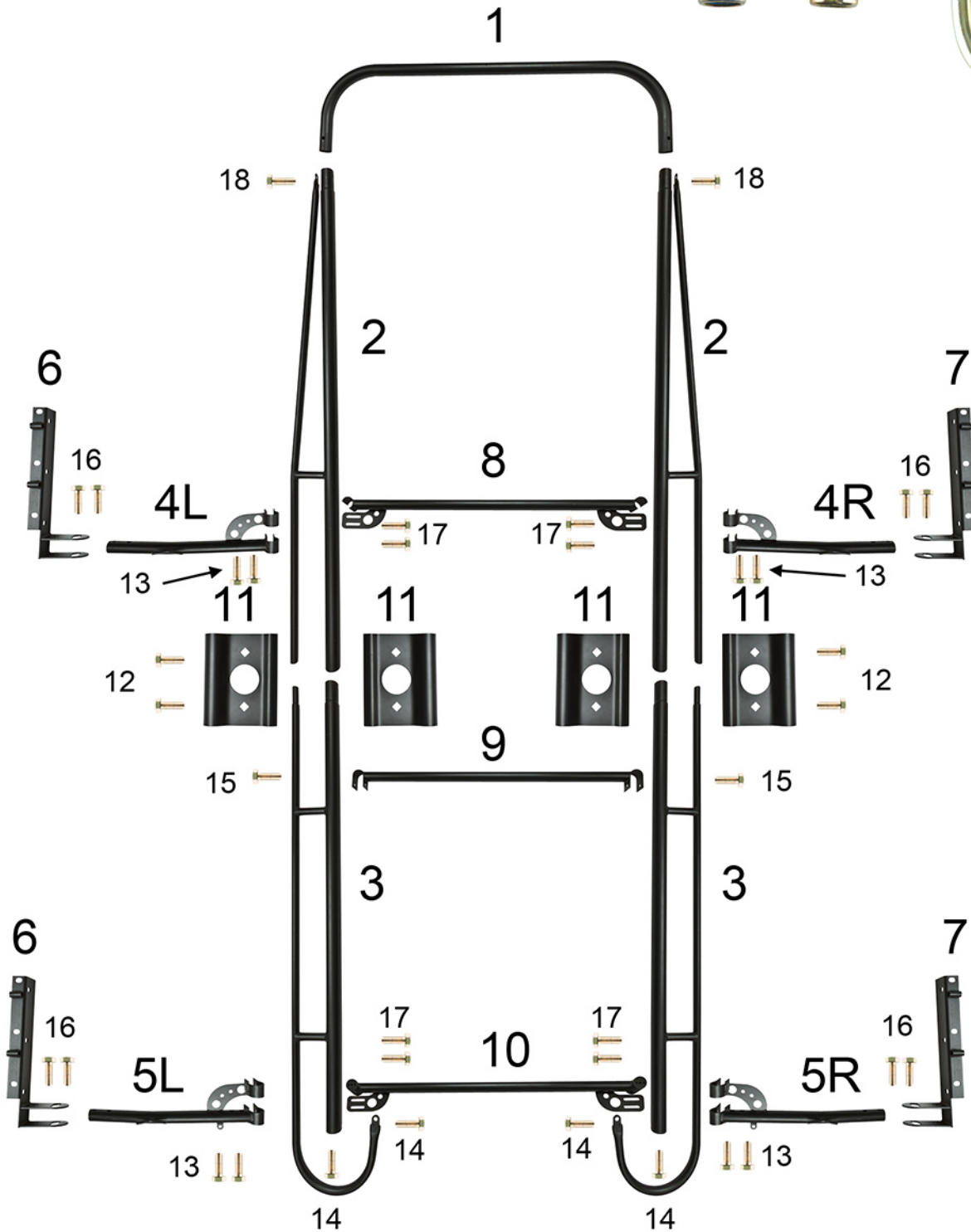
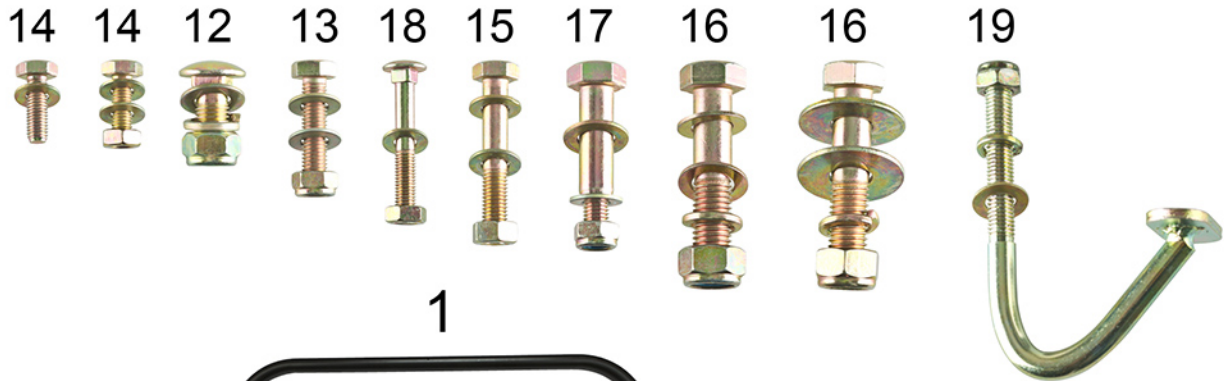


# Part Descriptions:

Index	Description	Quantity
1	Cab Hoop	1
2	Front Side Rail	2
3	Rear Side Rail	2
4L	Left Front Leg	1
4R	Right Front Leg	1
5L	Left Rear Leg	1
5R	Right Rear Leg	1
6	Left Mounting Foot	2
7	Right Mounting Foot	2
8	Front Bar	1
9	Center Bar	1
10	Rear Bar	1
11	Connecting Brackets	4
12	M16x30 Carriage Bolt - Nut - Flat & Spring Washer	4
13	M12x50 Bolt - Nut - Flat Washer	8
14	M10x35 Bolt - Nut - Flat Washer	4
15	M12x75 Bolt - Nut - Flat Washer	2
16	M18x88 Bolt - Nut - Flat & Spring Washer	8
17	M12x72 Shoulder Bolt - Nut - Flat & Spring Washer	8
18	M10x70 Carriage Bolt - Nut - Flat Washer	2
19	"J" Shape Bolt - Nut - Flat & Spring Washer	8

# Part List:

---





# INSTRUCTIONS

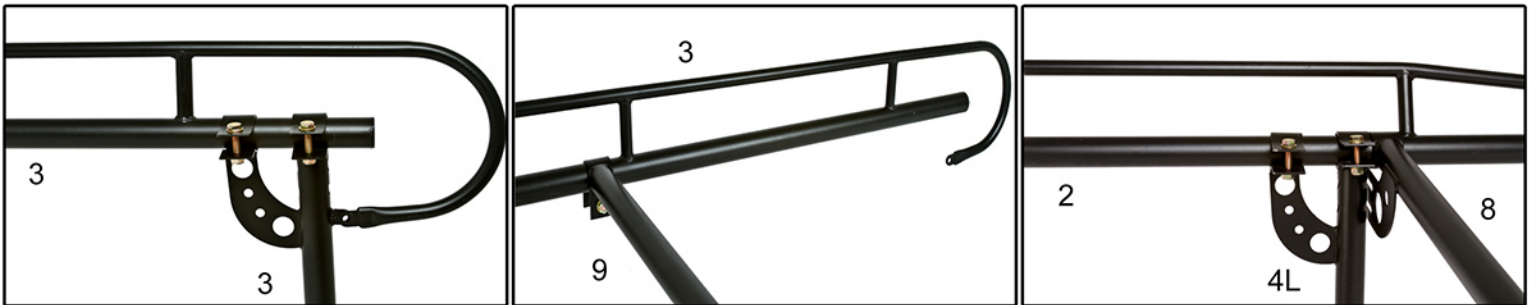
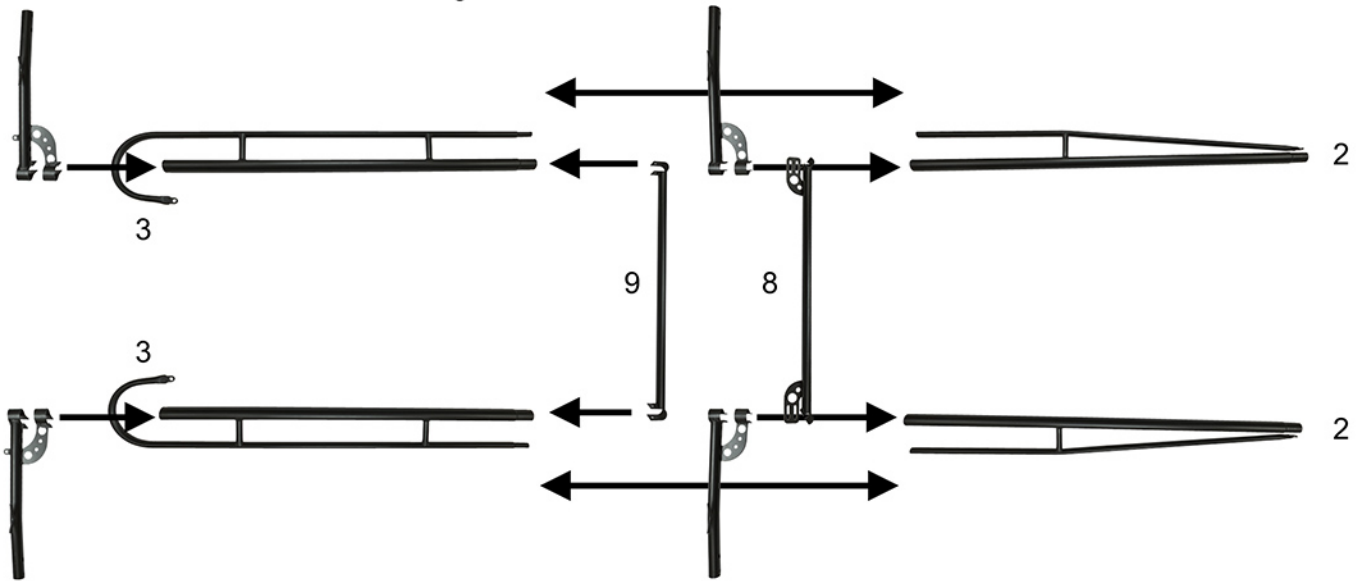


\*DO NOT INSTALL OR USE THE TITAN TRUCK RACK WITHOUT READING THESE INSTRUCTIONS.  
BE SURE ALL HARDWARE IS INCLUDED BEFORE STARTING\*

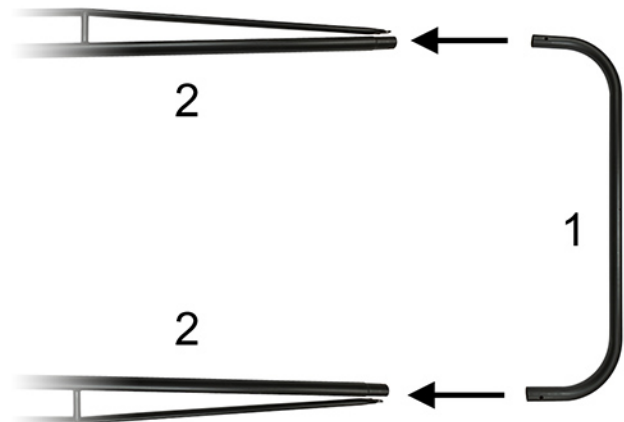
## Assembly:

Step 1. Slide the Front Bar (#8) onto the Front Side Rails (#2). Slide the Center Bar (#9) onto the Rear Side Rails (#3) and attach with 2 M12x75 Bolts (#15). Slide the 4 Front and Rear Legs (4R, 4L, 5R, 5L) onto the Front and Rear Rails (#2, #3) and secure using 8 M12x50 Bolts (#13). Ensure all bolts are only hand tight to ensure fitment in later steps.

\*Note Tie-Down Cleats on Stands should be facing outward



Step 2. Secure the Front and Rear Racks (#2,#3) together using 2 Brackets (#11) on either side with (4) M16x30 Bolts (#12). Secure the Cab Hoop (#1) to the Front Side Rails (#2) using (2) M10x70 Bolts (#18).



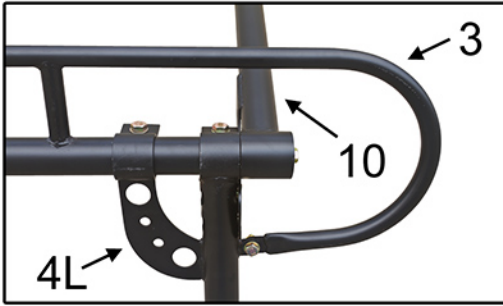


# INSTRUCTIONS



\*DO NOT INSTALL OR USE THE TITAN TRUCK RACK WITHOUT READING THESE INSTRUCTIONS.  
BE SURE ALL HARDWARE IS INCLUDED BEFORE STARTING\*

Step 3. Slide the Rear Bar (#10) onto the Rear Side Rails (#3) and secure with 2 M12x50 bolts (#14). Attach the Rear Bar (#10) to the Left and Right Rear Stands (#5L, #5R) using 2 M10x35 Bolts (#14). \*Ensure the tab on the Rear Stands (#5L, #5R) lines up with the railing on the Rear Bar (#10).



Step 4. Install the 8 M12x72 Bolts (#17) into the top of the Front and Rear Stands (#4R, #4L, #5R, 5L) connecting them to the Front Bar (#8) and Rear Bar (#10). Attach the Mounting Feet (#6) to the Front and Rear Stands (#4R, #4L, #5R, 5L) with 8 M18x88 Bolts (#18).

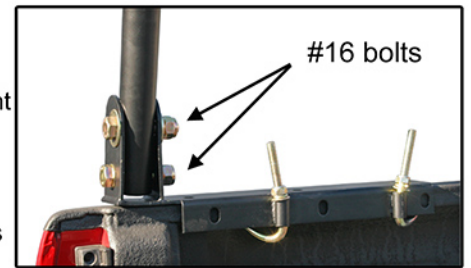
\*Note Bolts with larger diameter washers go through top hole.



**Installation:** The Titan Truck Rack mounts on pick-up trucks with short or long beds  
\*Note: Will not work with step side beds

Step 1. Set the truck rack on the bed rails with or without padding underneath to prevent paint scratching. Line up the support legs so that they sit level with the cab and are evenly straight. Fully tighten the (8) M18x88 Bolts (#16).

Step 2. Secure the "J" shaped bolts to the inside of your bedrails making sure they grab onto your vehicle's attaching inside lips. The rack can also be permanently mounted to the bed rails by drilling into the truck and securing it with hardware (not included).



**Care:** General maintenance on the Titan truck rack is recommended

Be sure all nuts and bolts are tight on a regular basis and no foreign objects are preventing the rack from sitting or working properly. Scratches and dents should be inspected to ensure full usability and exposed metal should be touched up/painted to deter rusting.

## Warnings:

Do NOT exceed the carrying capacity of 850 lbs. Doing so could result in property damage or personal injury.

The Titan truck rack adds more weight to your vehicle and raises the center of gravity when loaded. Use caution when making sharp turns to prevent product damage, cargo loss, or the vehicle from rolling over.

Ensure the cab hoop does not come in contact with the truck cab to prevent property damage.

Use sufficient tie-down straps when transporting cargo on the truck rack (not included).