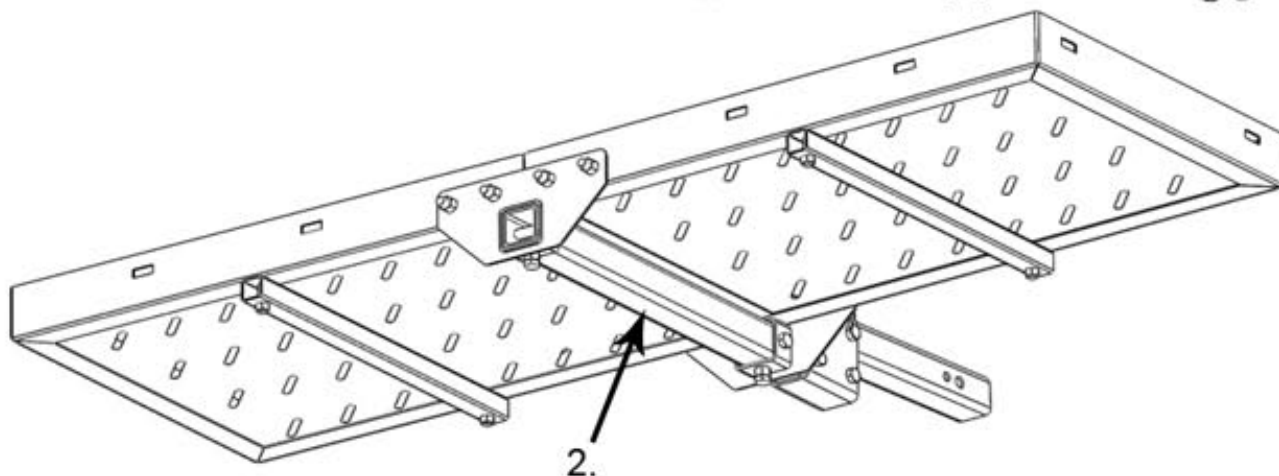
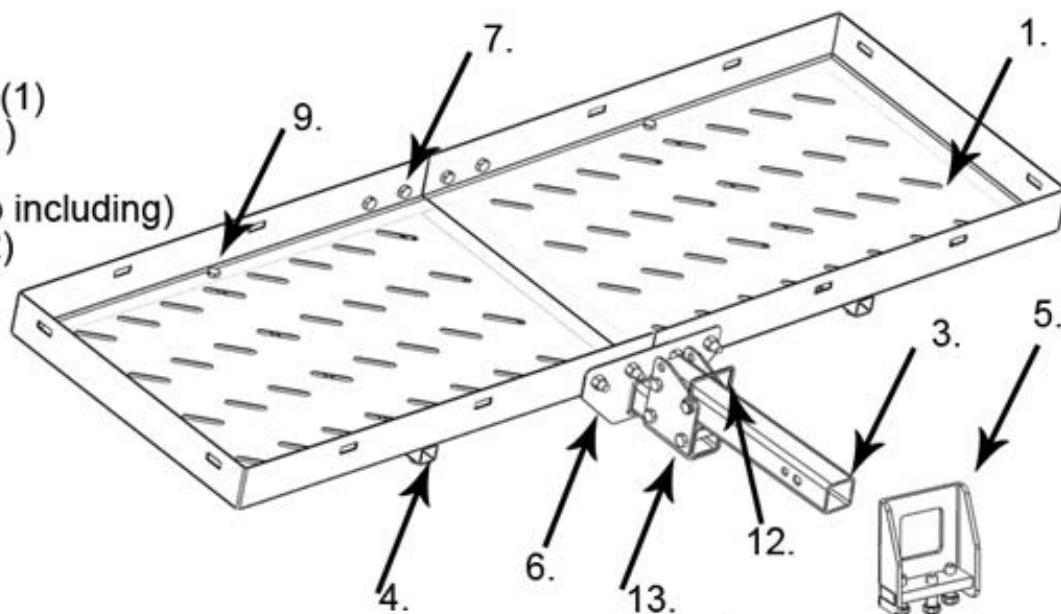


## Parts List:

1. Carrier Halves (2)
2. Carrier Main Tube (1)
3. Hitch Main Tube (1)
4. Support Tube (2)
5. Anti-Tilt Device (no including)
6. Carrier Brackets (2)
7. 1" Long Bolts (10)
8. 3" Long Bolts (6)
9. 2" Long Bolts (4)
10. Nuts (18)
11. Pinch Bolt (1)
12. Spring Pin (1)
13. Tube Holder (1)



## Instruction:

1. Secure (2) Carrier Halves together with (2) Carrier Brackets, (8) 1" Bolts and (8) Nuts.
2. Place Hitch Main Tube into Tube Holder. Secure using (3) 3" Bolts and (3) Nuts and (1) Spring Pin.
3. Secure the carrier unit to the carrier main tube using (2) 3" Bolts (2) Nuts.
4. Secure the support tubes to the carrier halves using (2) 2" Bolts (2) Nuts.

## Using the Carrier:

1. Before sliding the carrier into a Class III or IV hitch, place the anti-tilt device over the hitch main tube in a way that will directly bolt and secure onto your vehicle's receiver.
2. Insert the Pinch bolt in the second hole of the hitch main tube and tighten it.
3. Tighten all 3 bolts on the anti-tilt device to take out the rest of the play in the receiver.