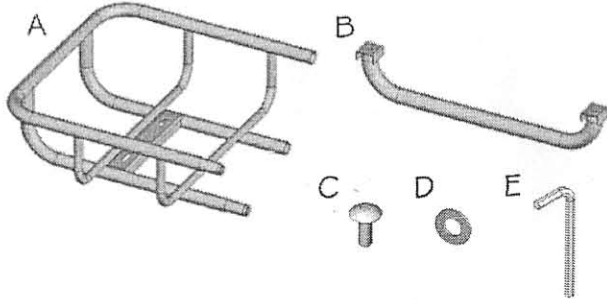
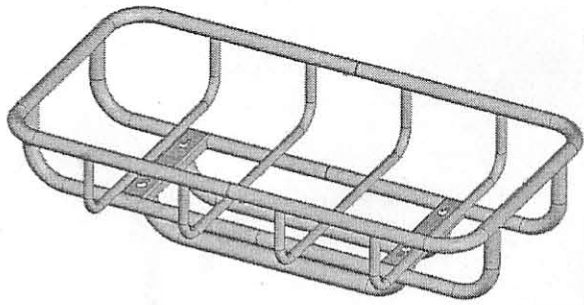


REAR BASKET, Nest

NO. ER-08211

INSTRUCTION MAUNAL

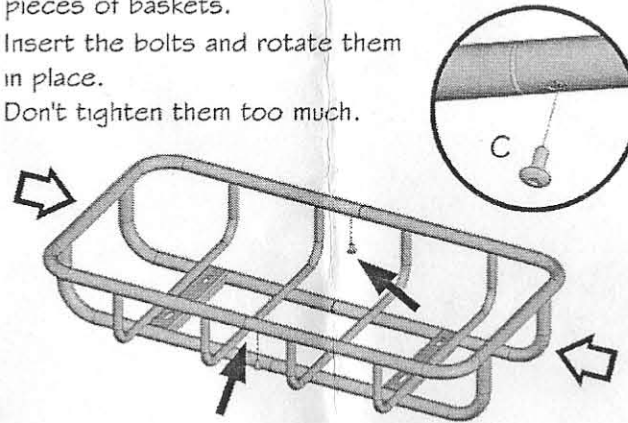


Parts List

Letter	Description	Quantity
A	Basket	2
B	Supporting Tubes, Bottom	2
C	Bolt M6	6
D	Washer M6	4
E	Allen Wrench, 5mm	1

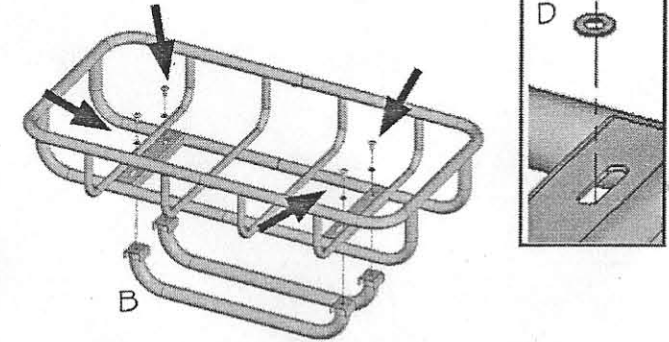
STEP 1:

Use Bolts to connect the two pieces of baskets. Insert the bolts and rotate them in place. Don't tighten them too much.



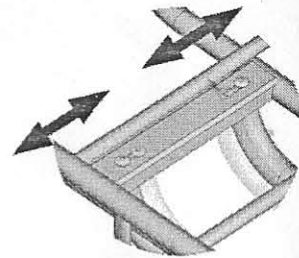
STEP 2:

Use Bolts and Washers to install the Supporting Tubes, Bottom on to the assembled basket. Fully tighten the bolts.

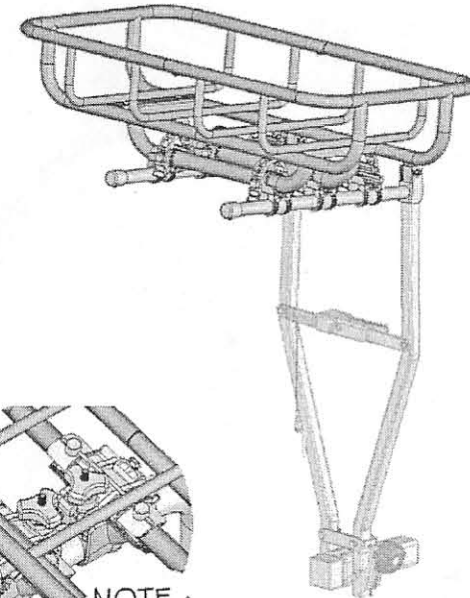
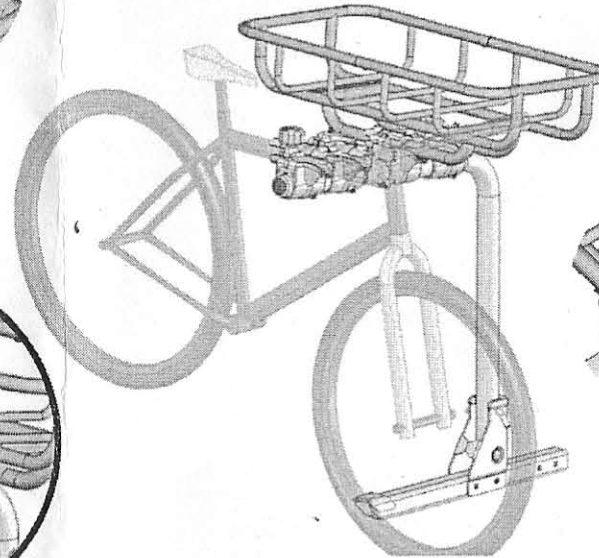
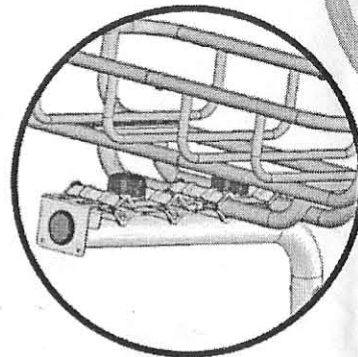


Install the Basket :

The size of Supporting Tubes, Bottom can fit most types of cradles.



The distance of the two Supporting Tubes, Bottom can be adjusted to be in line with the distance of the cradles by micro-tuning the positions of the bolts.



NOTE :

While applying onto the Eagle cradles, the front cradle should be turn around its direction so the basket can be installed into the place.