

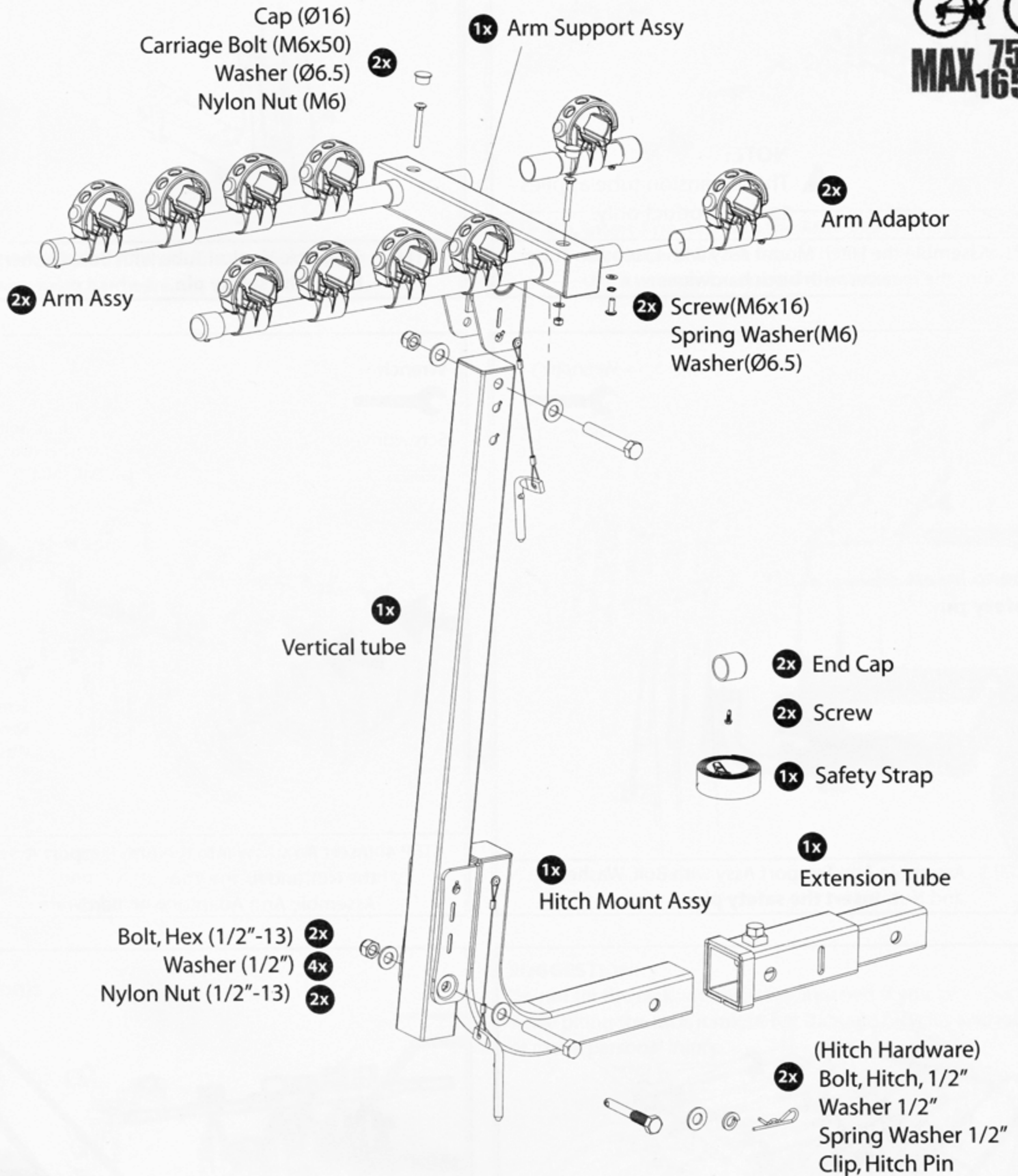
# 2 ARMS HITCH BIKE CARRIER

BC-8809-4AHF+1EXT

## Intruction Manual



### PART LIST

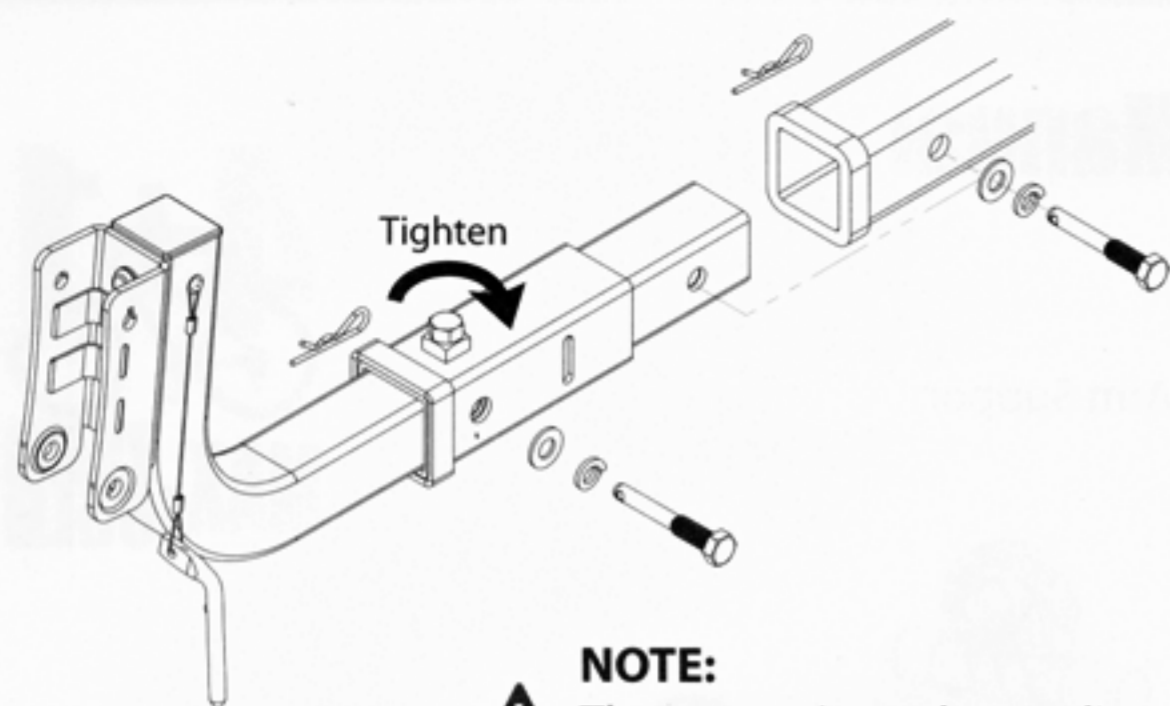


### Warnings :

1. For 2" receiver. Carries up to 5 bikes (max 15kg/33lbs per bike).
2. Check periodically to assure that the bikes does not move and that even weight distribution is being maintained.
3. It is user's responsibility to periodically check to assure all hardware, straps, etc. are securely tightened for continual safety.
4. Be sure the Safety Pin is always inserted in the pin hole when bike carrier is in vertical position.
5. Do not create any downward vertical force on any part of the carrier when securing and tying the bike(s) to the carrier . Excessive downward vertical force which beyond the carrier's load capacity may cause damage to the carrier, bikes and/or vehicle.

When carries 5 bikes :

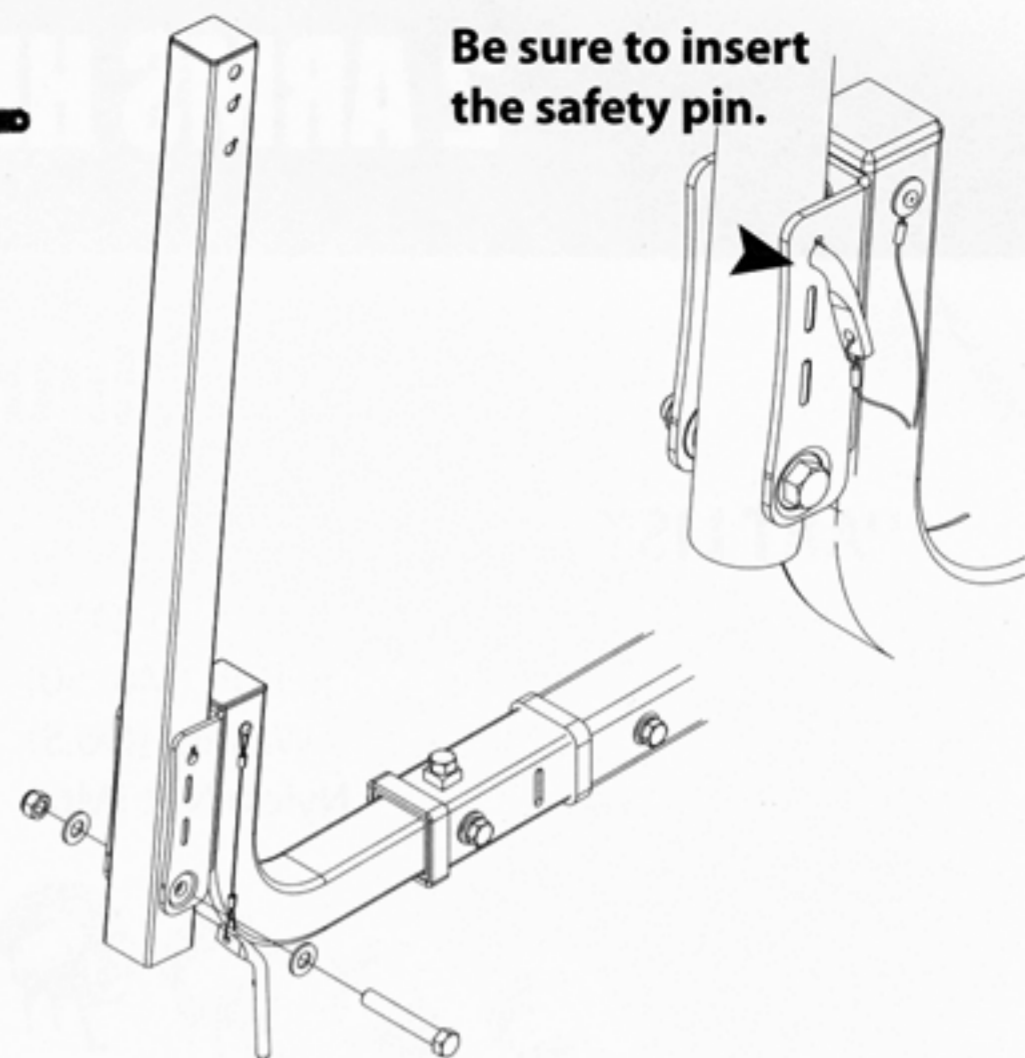
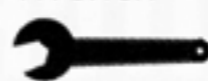
Wrench



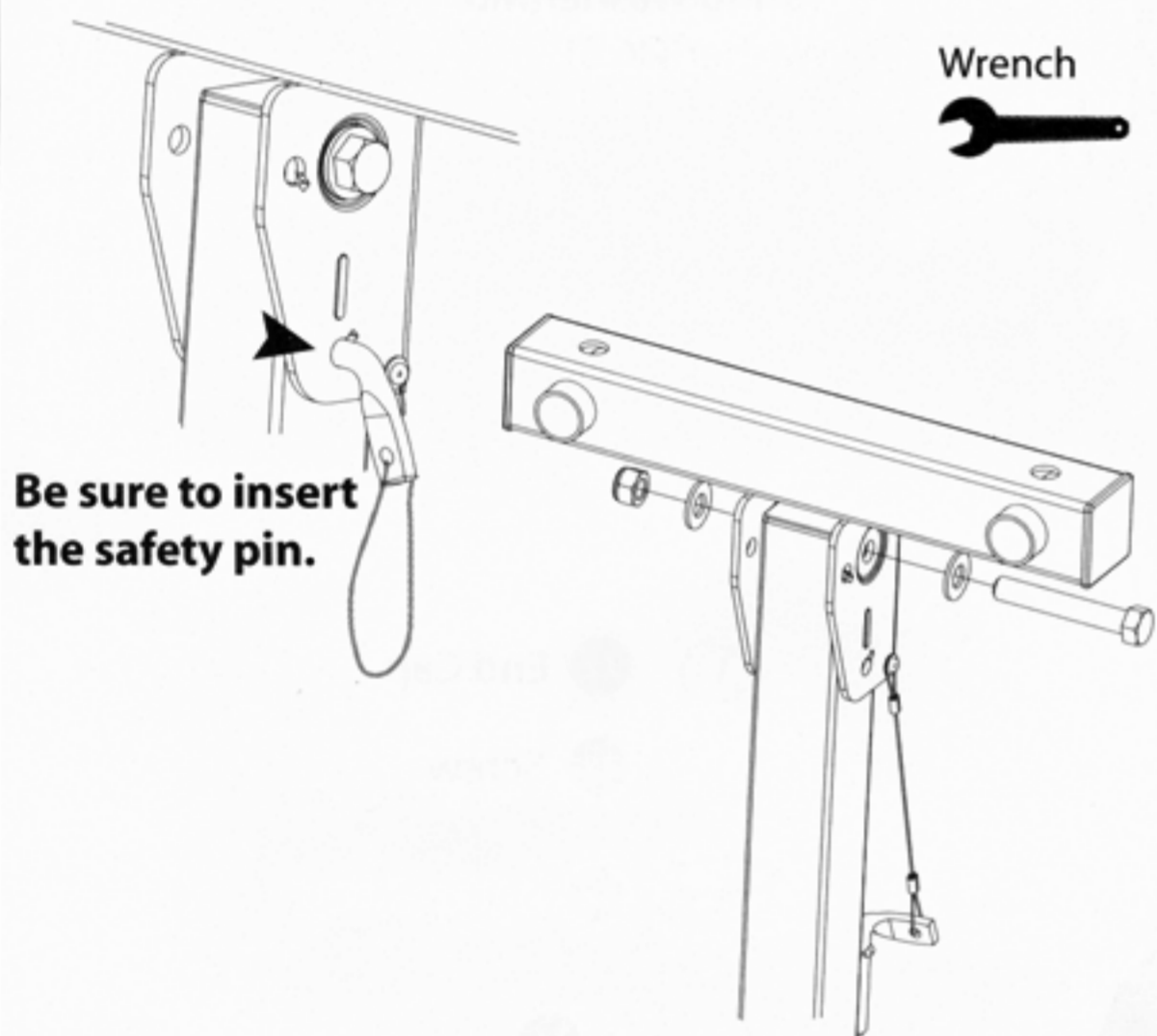
**NOTE:**  
⚠ The expansion tube applies to this product only.

STEP1. Assemble the Hitch Mount Assy with Extension Tube into the receiver with hitch hardware.

Wrench



STEP 2. Assemble Vertical Tube with Bolt, Washers and Nut. **Insert the safety pin.**



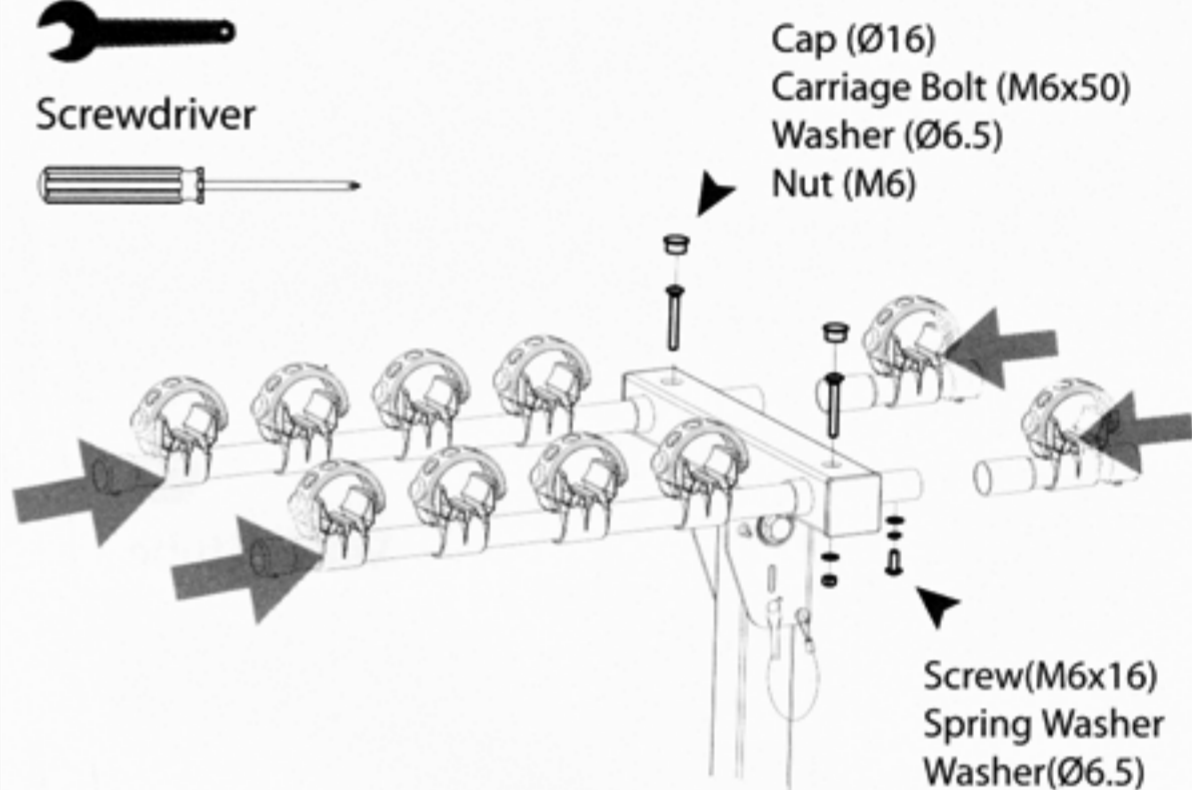
Be sure to insert the safety pin.

STEP 3. Assemble Arm Support Assy with Bolt, Washers and Nut. **Insert the safety pin.**

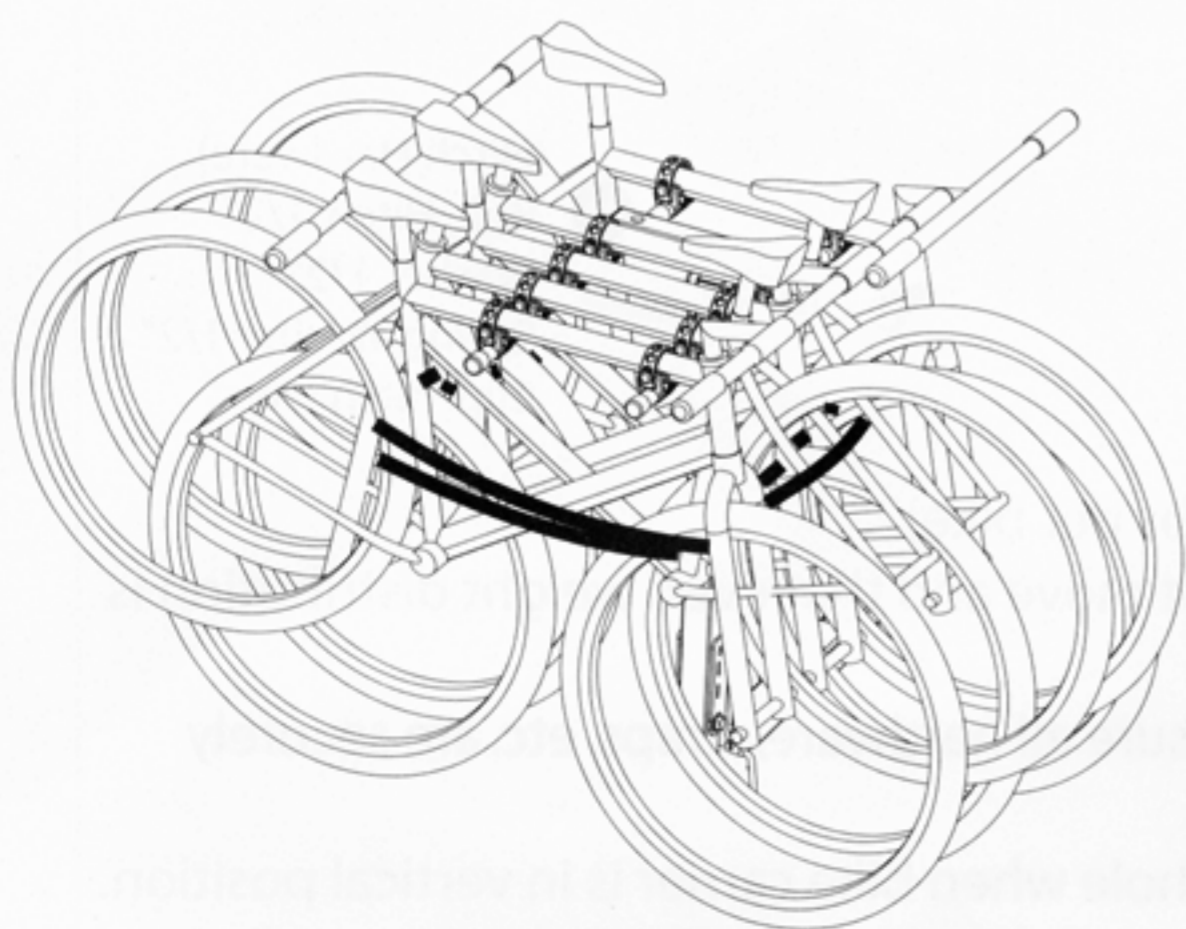
Wrench



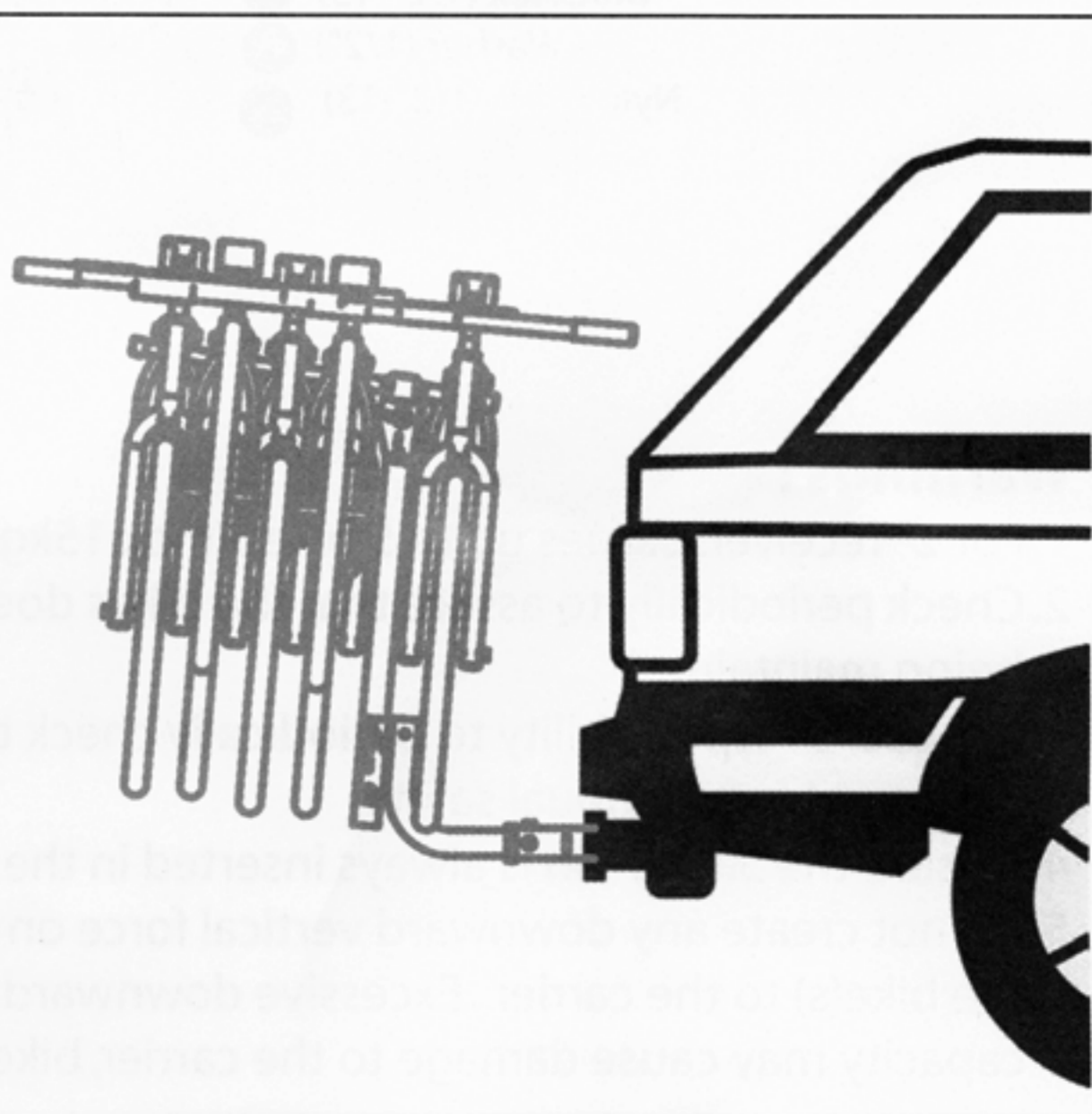
Screwdriver



STEP 4. Insert Arm Assy into the Arm Support Assy , be tighten the Nut, and fix the Cap. Assemble Arm Adaptor with hardware.

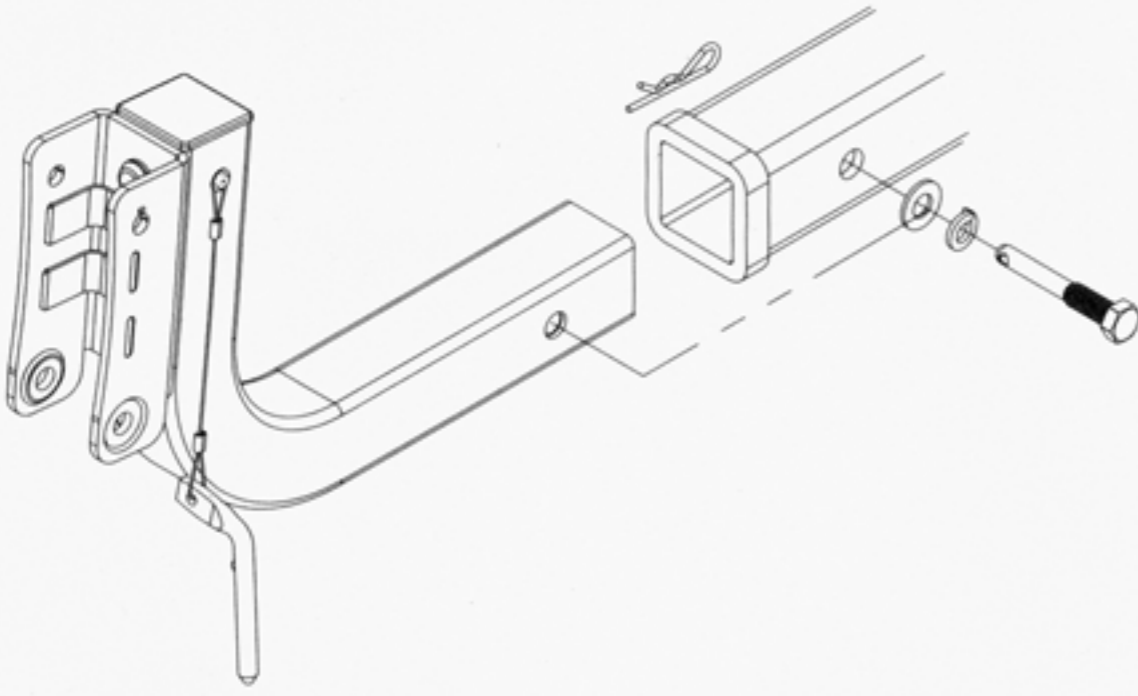


STEP 5. Use the Safety Strap to tie bikes together and to secure them to the vertical tube to prevent any movements between them.



Only carries 4 bikes

Wrench



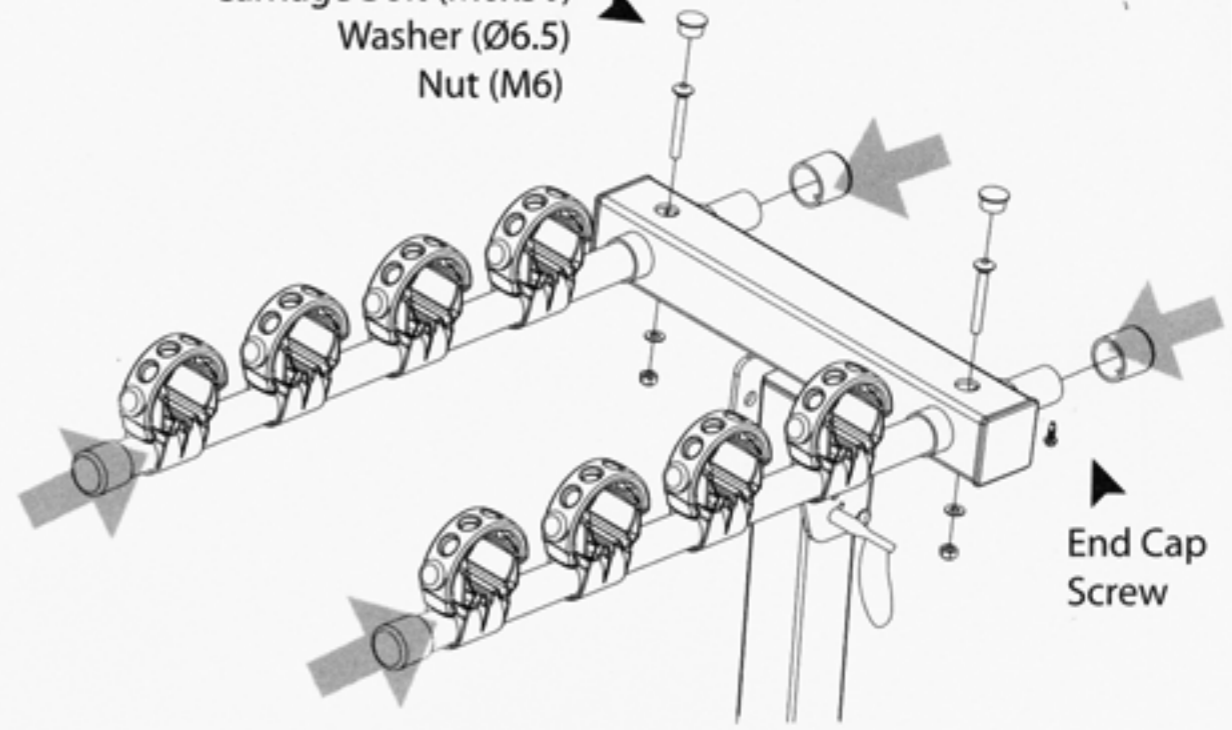
STEP 1-b. Assemble the Hitch Mount Assy into the receiver with hitch hardware.

Only carries 4 bikes

Wrench

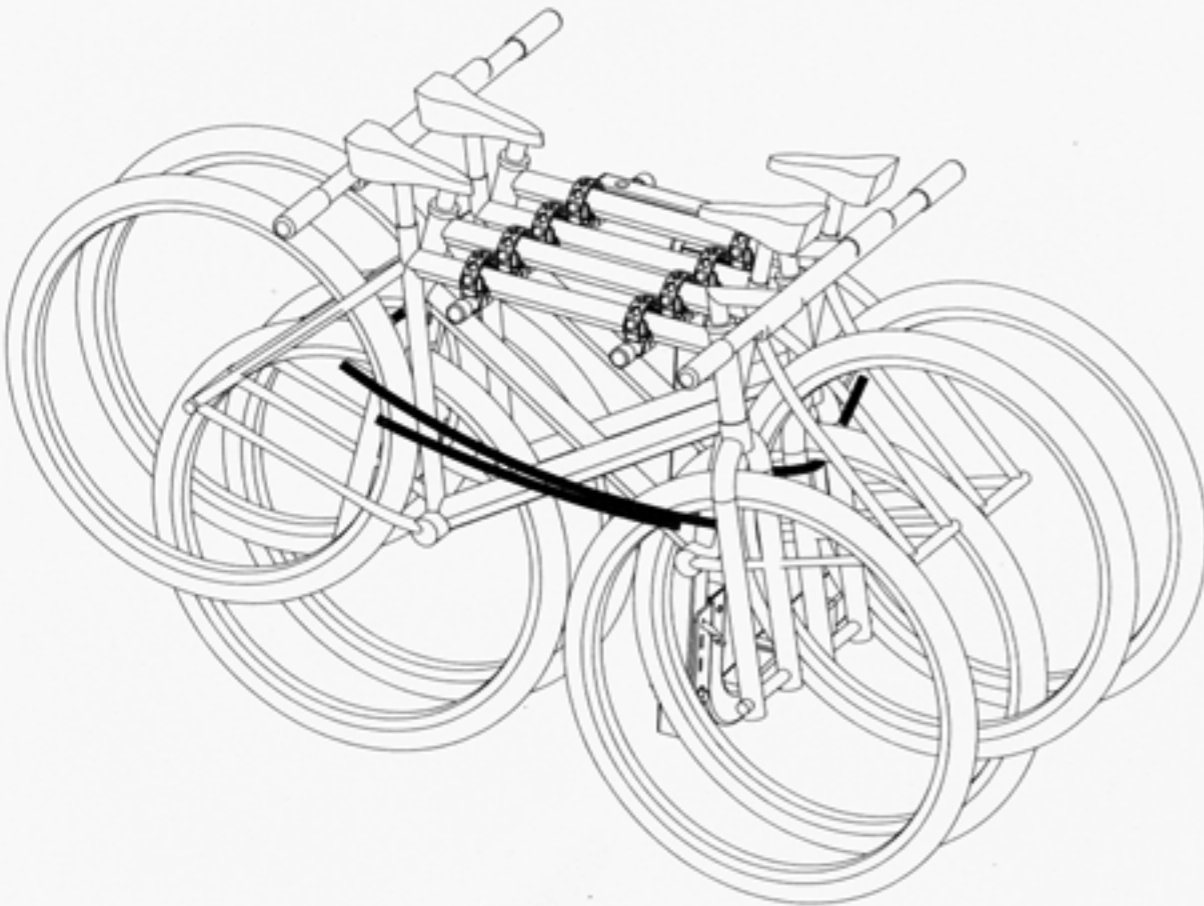


Cap (Ø16)  
Carriage Bolt (M6x50)  
Washer (Ø6.5)  
Nut (M6)



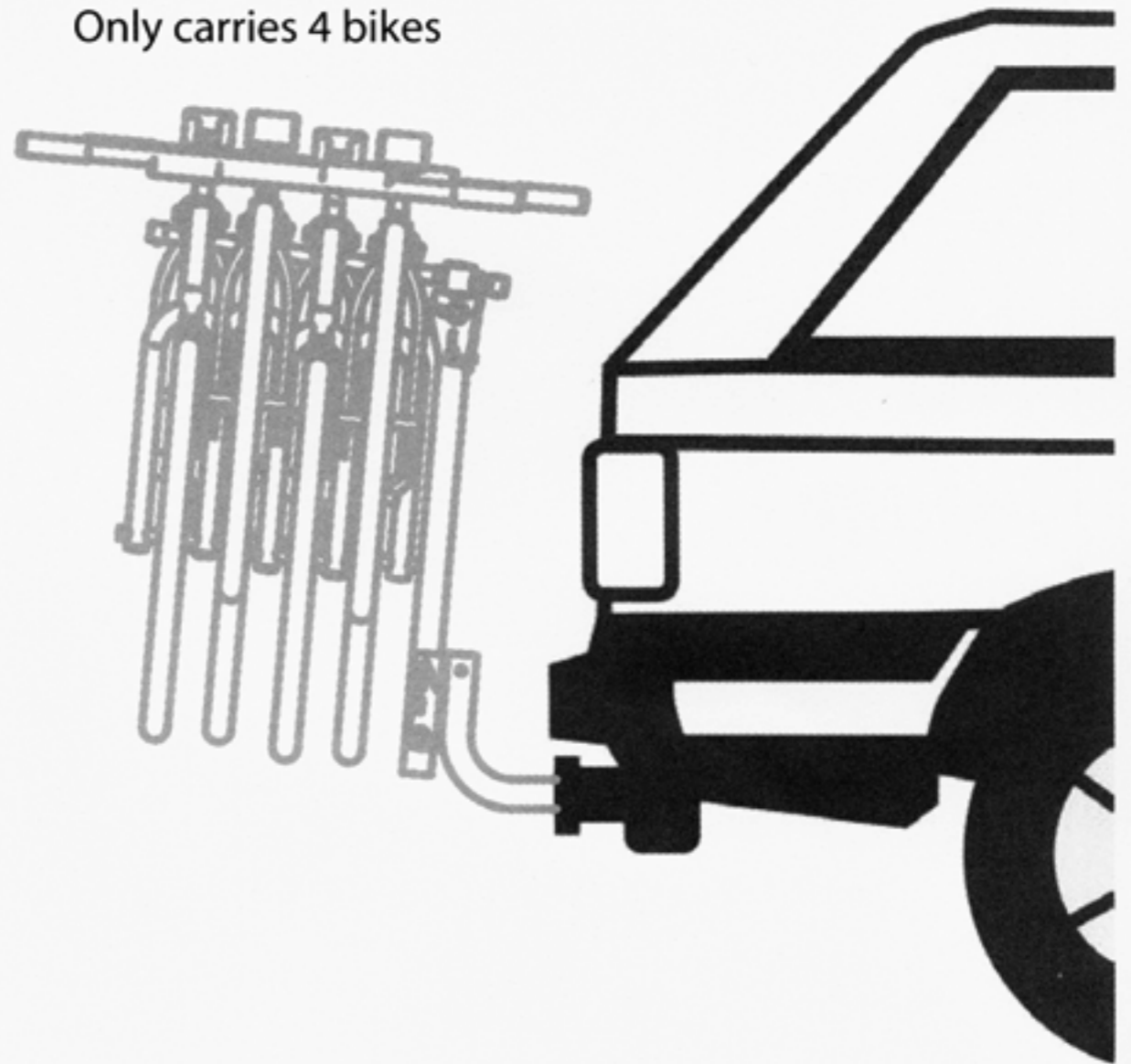
STEP 4-b. Insert Arm Assy into the Arm Support Assy, be tighten the Nut, and fix the Cap. Use a wrench to secure the end cap.

Only carries 4 bikes

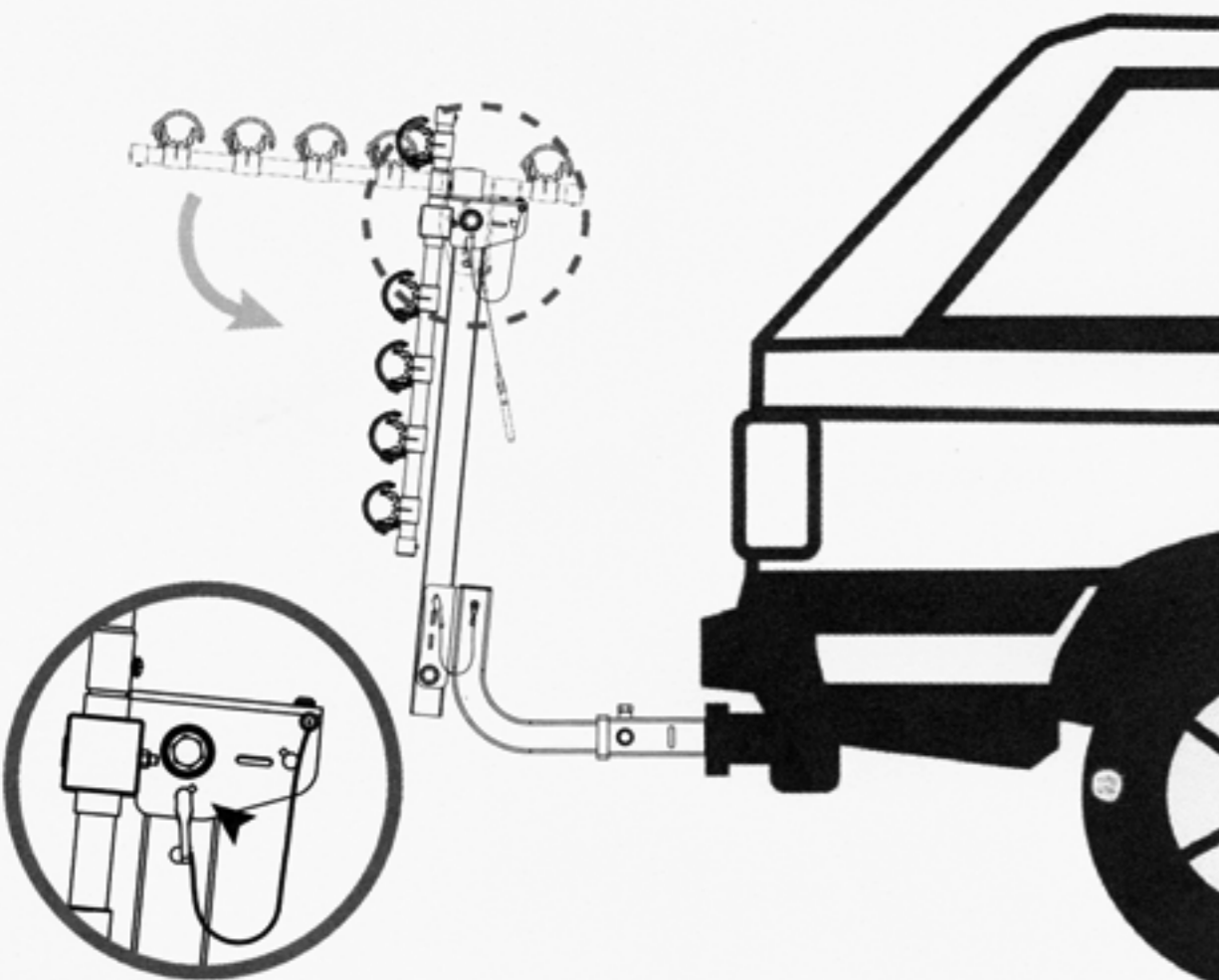


STEP 5-b. Use the Safety Strap to tie bikes together and secure them to the vertical tube to prevent any movements between them.

Only carries 4 bikes



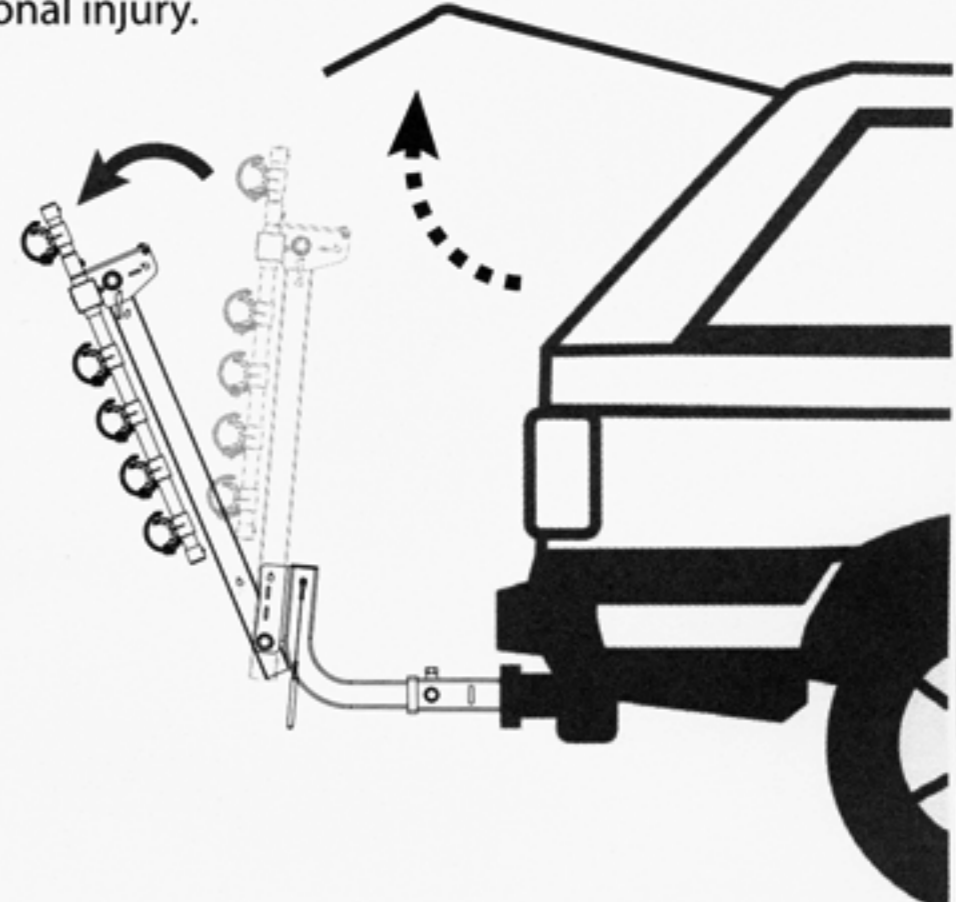
Folding Arms



Pull out the safety pin, and fold down Arms forward slowly.

**SUGGESTION:**

Do not tilt the rack with bicycles attached. If you lose your grip while tilting the rack, it might fall, damage bicycles and rack, or cause personal injury.



When opening the trunk lip : Pull out the safety pin and fold down bike carrier forward slowly.