

BEFORE YOU BEGIN

- Thank you for purchasing the Cargo Basket. We are confident that this product is the best on the market, and will exceed your needs.
- Please take a moment to familiarize yourself with all of the included parts listed below. If anything is missing, contact your dealer immediately.
- The Cargo Basket is easy to assemble. However, it is a stepwise and orderly process, so be patient and take your time. The letters in the instructions refer to the diagram.

!



DISTRIBUTE YOUR LOAD EVENLY INSIDE THE BASKET.

DO NOT EXCEED BASKET CONTENT WEIGHT LIMIT: 150 LBS. (70 KG)

Always tie down long loads at front and rear.

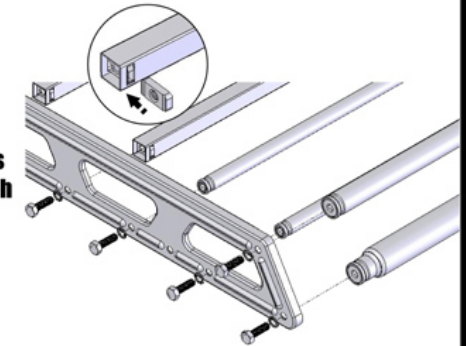
1 IF YOUR BARS MOVE :

IF YOU HAVE BARS THAT CAN BE MOVED... Move the bars to minimum 72 CM apart.



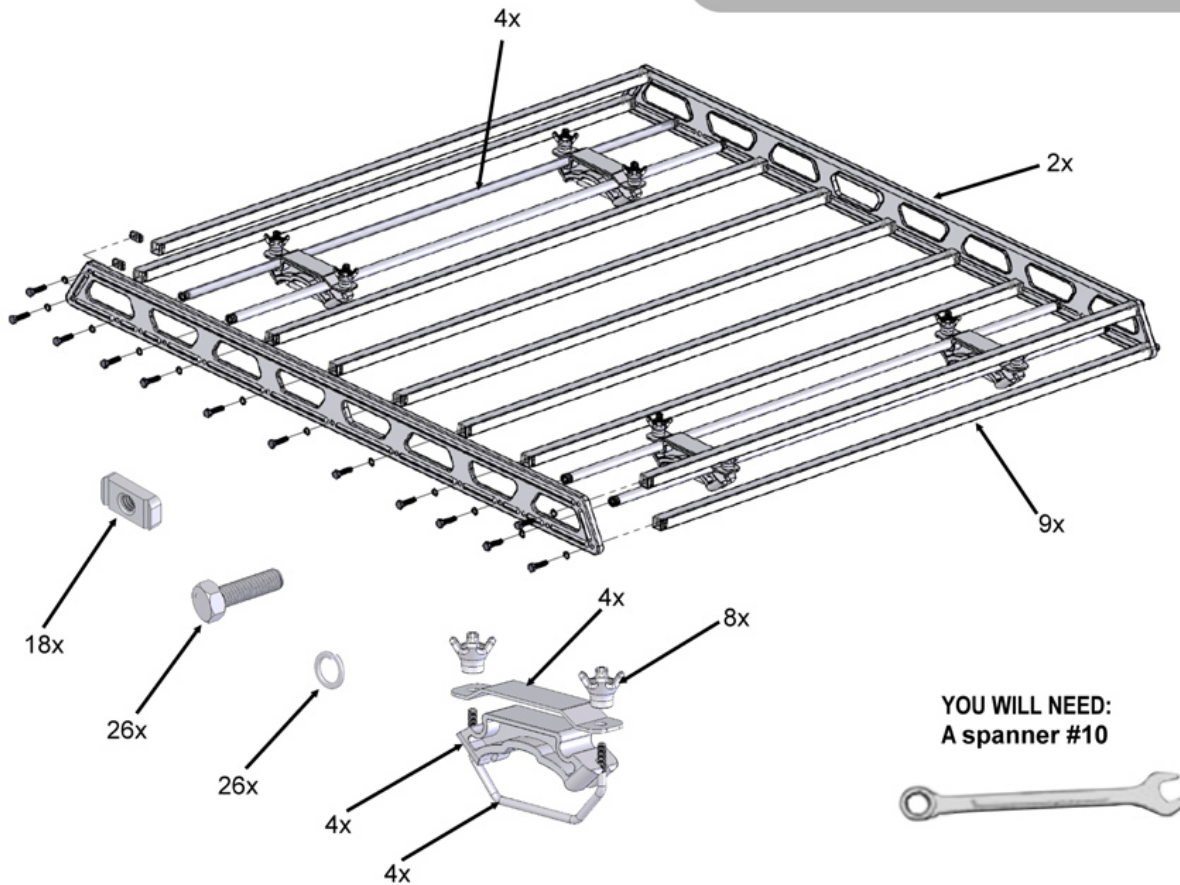
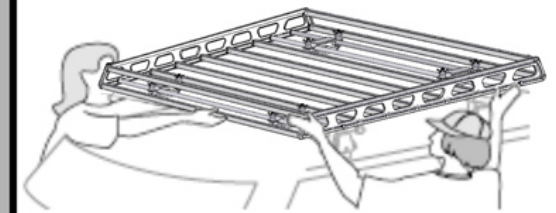
2 ASSEMBLE THE BASKET :

Insert screws with washers into each joint and tighten them.



3 LOAD BASKET ONTO RACKS :

Center basket over your rack's crossbars.



**YOU WILL NEED:
A spanner #10**



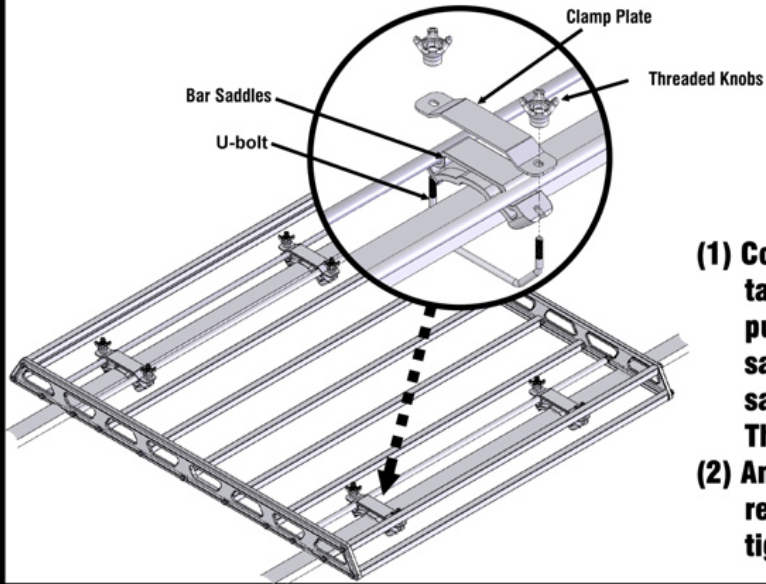
Cargo Basket

NO. ER-07206

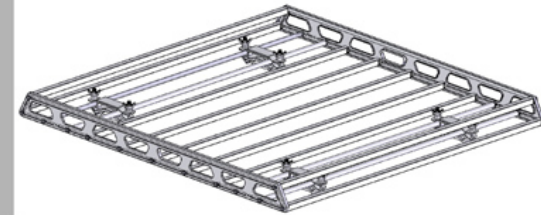
Instruction Manual

4

For shows bar saddle mount with different load bar



- (1) Complete the above steps, please take out U-bolt and Clamp plate, put Clamp plate on top of bar saddle, under bed tube through bar saddle and Clamp plate, turn the Threaded Knob to tighten it,
- (2) And so on finishes fixing each, remember check on they already tightened indeed.



Cargo Basket