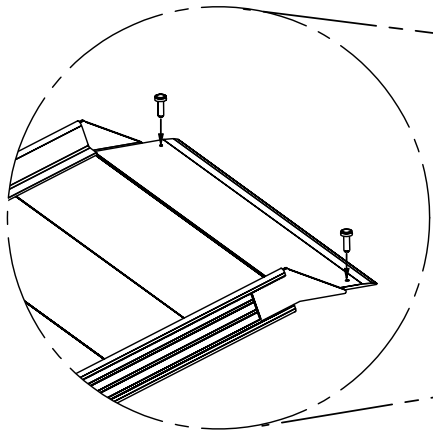
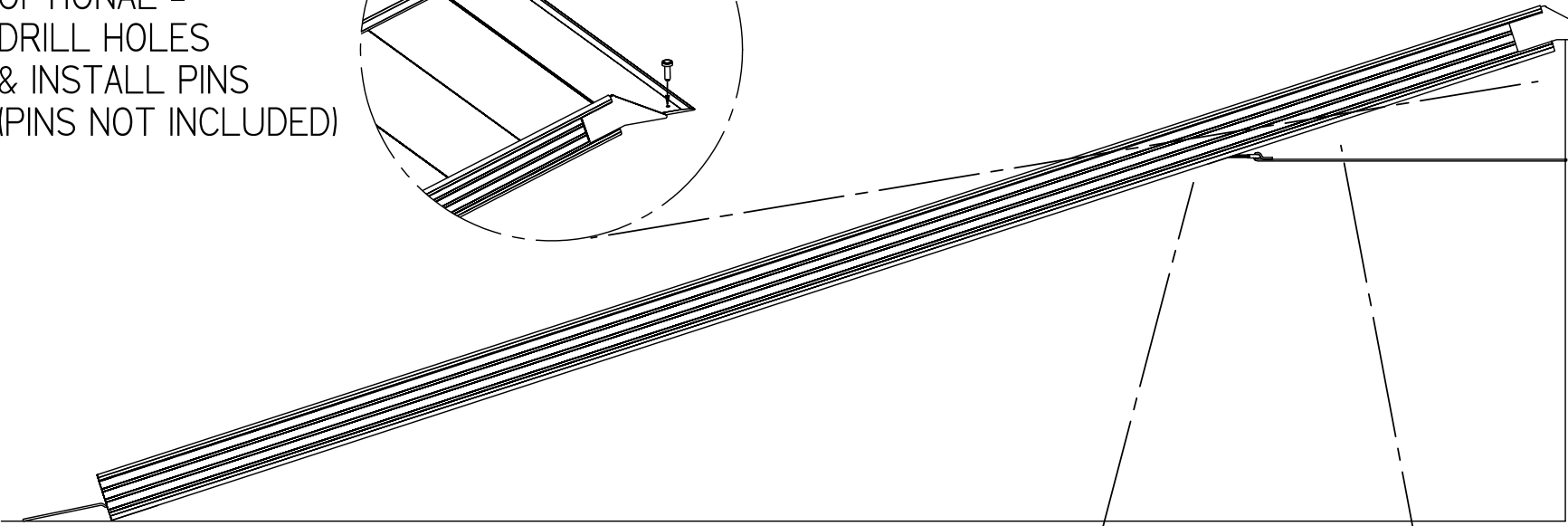


OPTIONAL -
DRILL HOLES
& INSTALL PINS
(PINS NOT INCLUDED)



3" MINIMUM
OVERLAP



LOCATION OF HOOK/STRAP ATTACHMENT
POINT LOOKING AT BOTTOM OF RAMP
(HOOKS &/OR STRAPS NOT INCLUDED)

