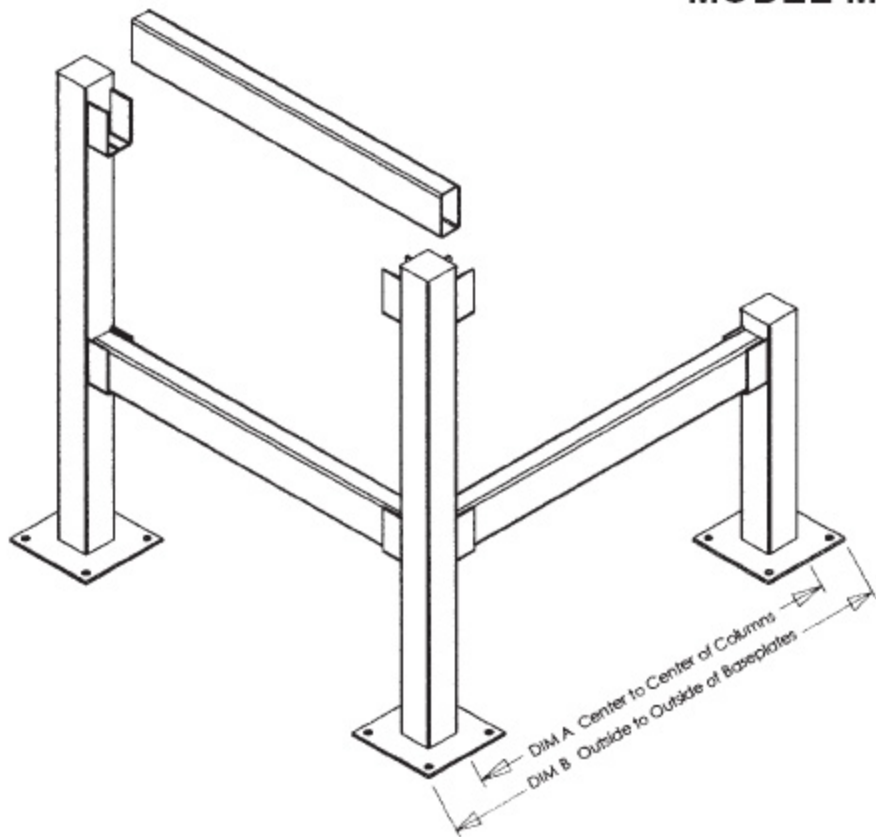


# MODULAR PROTECTIVE BARRIER MODEL MPB



RAILS: 2" x 4" x 11 GA STEEL TUBING

POSTS: 3" x 3" x 11 GA STEEL TUBING COLUMNS  
8" x 8" x 1/4" STEEL BASEPLATES  
9/16" MOUNTING HOLES  
COLUMNS ARE CAPPED