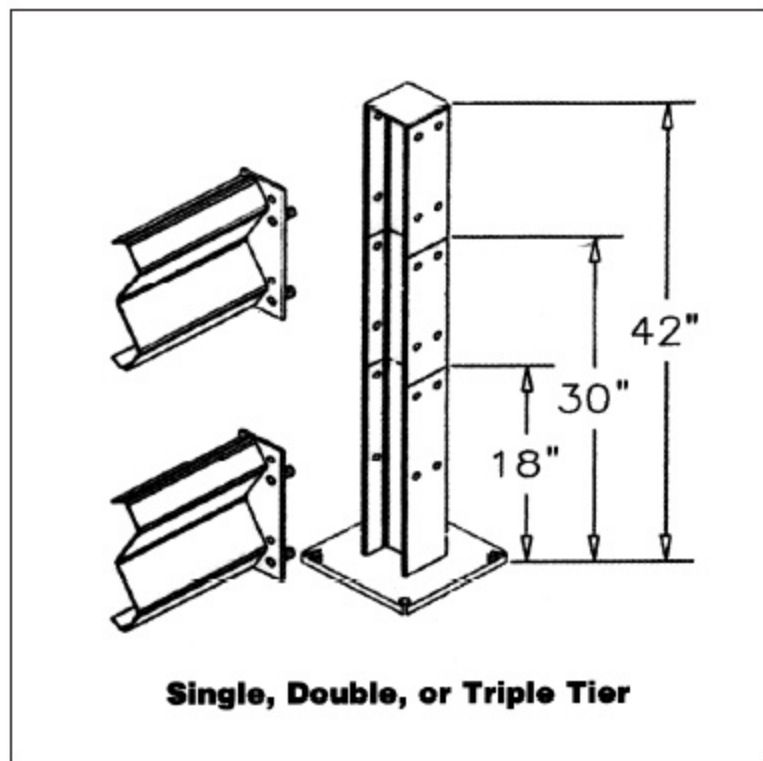
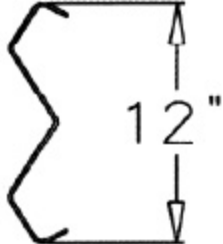
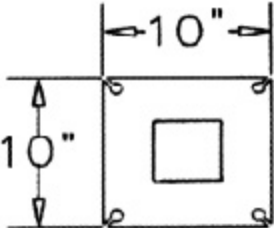


CRASH GUARD SAFETY PRODUCTS



SAFETY RAIL



Rail Cross-Section	Base plate
	
<p>Rails: 10 ga. formed steel Base plates: 5/8" steel plate Columns: Structural steel beam 5/8" Wedge Anchors provided 1/2" Assembly Hardware provided</p>	

All Products Powder-Coated Safety Yellow