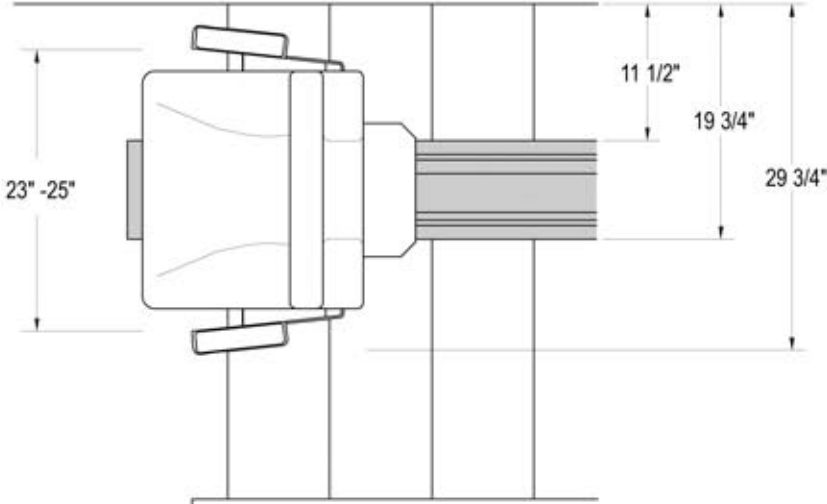


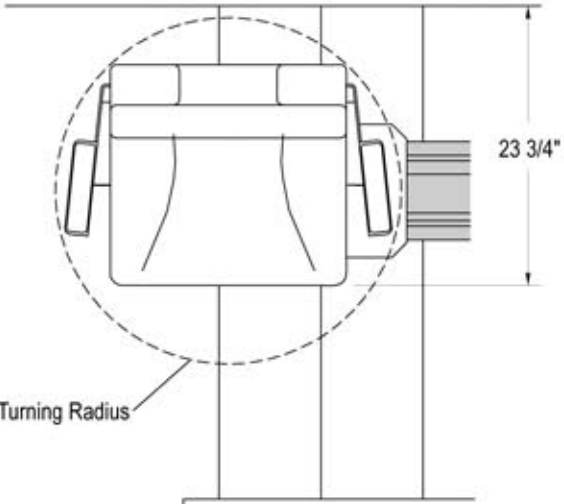
# SUMMIT<sup>®</sup> MAX

## SPECIFICATIONS

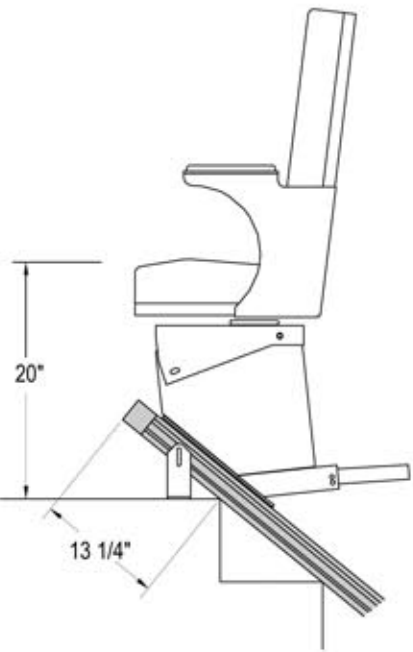
- Rated Load:** 500 lbs.
- Travel:** 20' max.
- Power Supply:** 115 VAC, 60 Hz grounded outlet
- Incline Limits:** 30° to 45°
- Drive System:** 3/16" galvanized aircraft cable on winding drum
- Controls:** Hand-held constant pressure up-down switch on chair and wall mounted controls at top and bottom landings
- Track:** Extruded aluminum
- Motor:** 1/2 hp, 90 VDC
- Unit Finish:** Off white powder coating
- Upholstery:** Mocha, Evergreen, Light Almond
- Safety Devices:**
  - Slack cable brake
  - Swivel seat cut-off
  - Final limit
  - Seat belt
- Warranty:** 2 years



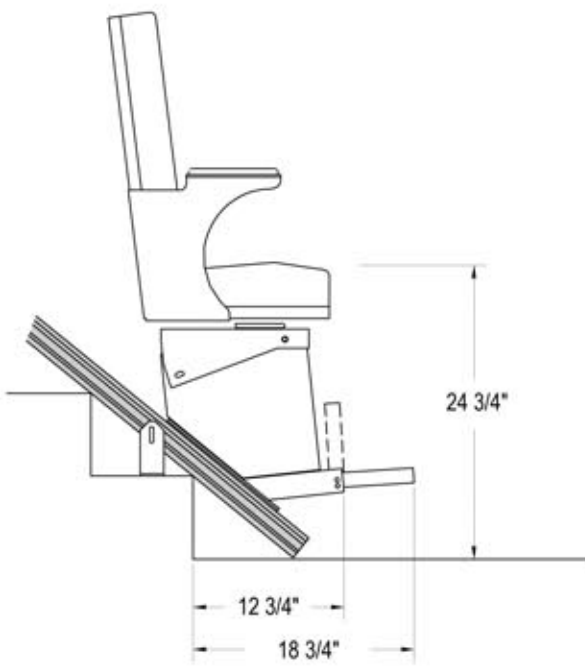
**Plan View**  
Seat shown Swiveled



**Plan View**  
Seat shown in Parked Position



**Top Landing**  
Seat shown Swiveled



**Bottom Landing**