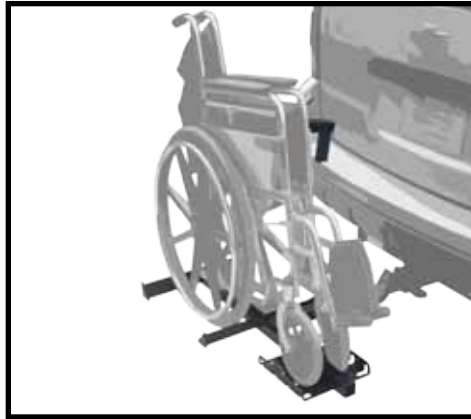




Prairie View Industries

MT5000 - Hitch Mounted Wheelchair Carrier



Owner's Manual

Please read owner's manual thoroughly
before installing or using carrier.



- ◆ Failure to follow instructions could result in injury or damage of property.
- ◆ Refer to vehicle owner's manual for specific tongue weight capacity.
- ◆ Do NOT exceed recommended vehicle tongue weight.
- ◆ Calculate total weight on vehicle hitch by adding weight of carrier (22 lbs.) and wheelchair weight together.
- ◆ Do NOT use carrier if any pieces are missing.

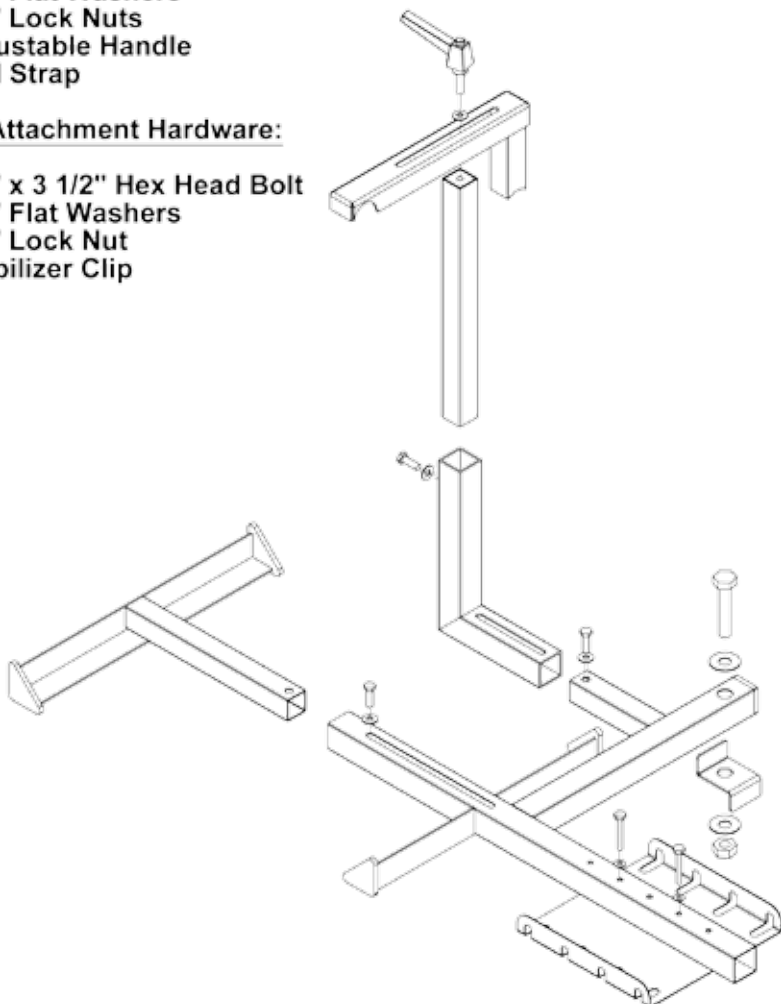
MT5000 - Hitch Mounted Wheelchair Carrier

Hardware List

- 3 - 3/8" x 1" Hex Head Bolt
- 4 - 3/8" Flat Washers
- 2 - 1/4" x 2" Hex Head Bolt
- 4 - 1/4" Flat Washers
- 2 - 1/4" Lock Nuts
- 1 - Adjustable Handle
- 1 - Red Strap

Hitch Attachment Hardware:

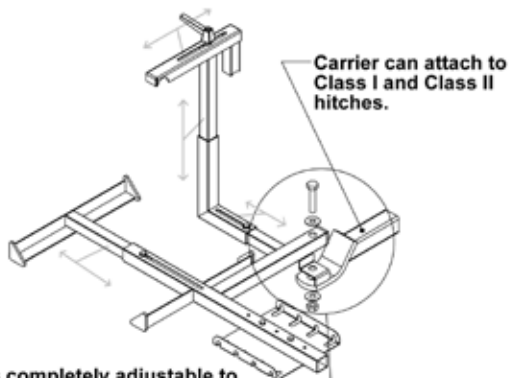
- 1 - 3/4" x 3 1/2" Hex Head Bolt
- 2 - 3/4" Flat Washers
- 1 - 3/4" Lock Nut
- 1 - Stabilizer Clip



MT5000 - Hitch Mounted Wheelchair Carrier

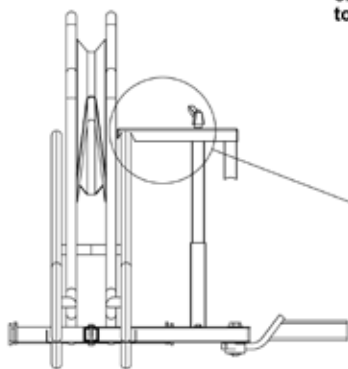
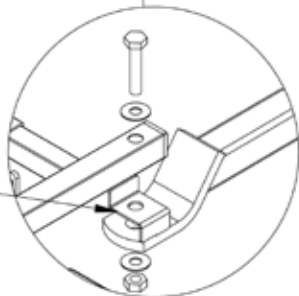


Use strap around small wheels and attach to plate.



Carrier is completely adjustable to hold wheelchairs with wheel diameter between 12 to 24 inches.

Use supplied stabilizer clip when attaching carrier to hitch.



Tighten down lever to hold arm against wheel.

Arm secures wheelchair to carrier without the need of ropes or straps.

PRAIRIE VIEW INDUSTRIES, INC.
THREE YEAR LIMITED WARRANTY

1. PRAIRIE VIEW INDUSTRIES, INC. warrants that the equipment is free from defects in material and workmanship under normal use and service. The provisions of this warranty shall not apply to any equipment which has been subject to misuse, negligence, alteration, accident or improper installation, or which shall have been repaired outside PRAIRIE VIEW INDUSTRIES, INC. place of business. The provisions of this warranty shall not apply to normal deterioration due to wear and exposure.
2. PRAIRIE VIEW INDUSTRIES, INC. obligation under this warranty is limited to repairing or replacing, at its option, any equipment which is returned to PRAIRIE VIEW INDUSTRIES, INC. place of business and which upon examination shall disclose to PRAIRIE VIEW INDUSTRIES, INC. reasonable satisfaction to have been thus defective. The repair or replacement of defective equipment under this warranty will be made by PRAIRIE VIEW INDUSTRIES, INC. without charge for parts or labor. This excludes shipping or delivery charges to or from PRAIRIE VIEW INDUSTRIES, INC. place of business.
3. The warranty is effective as of the date of sale to the original purchaser and extends for three years. Original purchaser must fill out and return the warranty card within 30 days after the date of sale or the warranty will be void.
4. Defective equipment that is covered by this warranty must be returned at the purchaser's expense along with proof of date of purchase (receipt, check or other document that shows the date of purchase and the identity of the equipment) to PRAIRIE VIEW INDUSTRIES, INC., 2620 Industrial Drive, Fairbury, NE 68352.
5. The duration of any implied warranty of merchantability or fitness for a particular purpose shall be limited in all respects to the duration of the limited warranty. This limited warranty shall be in lieu of any other express or implied warranty. Some states do not allow limitations on how long an implied warranty lasts, so the above limitation may not apply to you. PRAIRIE VIEW INDUSTRIES, INC. neither assumes nor authorizes any other person to assume for it any other liability in connection with PRAIRIE VIEW INDUSTRIES, INC. or the equipment.
6. The purchaser's sole and exclusive remedy against the seller shall be for the repair or replacement of defective equipment as provided above. No other remedy, including but not limited to, incidental or consequential damages for lost profits, lost sales, injury to property or any other incidental or consequential loss, shall be available to the purchaser. Some states do not allow the exclusion or limitation of incidental or consequential damages, so the above limitation or exclusion may not apply to you. Before using, user shall determine the suitability of the product for its intended use, and user assumes all risk and liability whatsoever in connection therewith.
7. This warranty gives you specific legal rights, and you may also have other rights which vary from state to state.