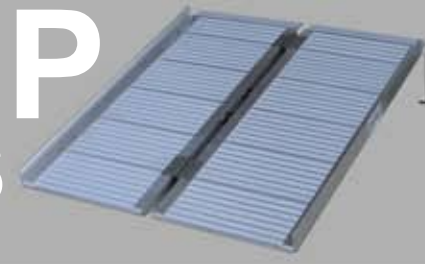
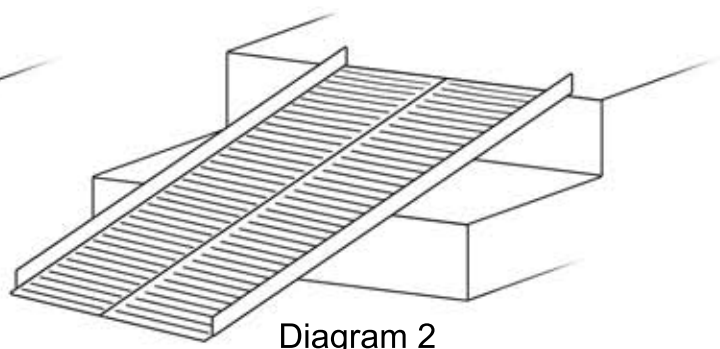
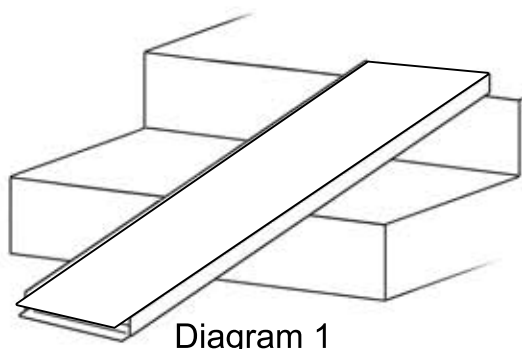


# PORTA-RAMP

## INSTRUCTIONS



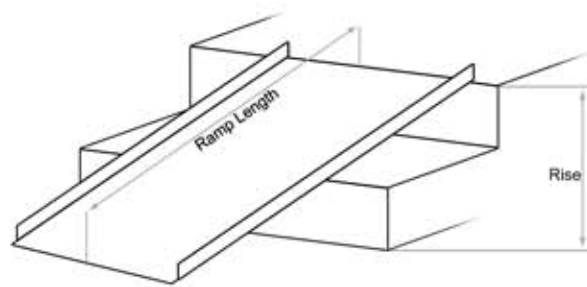
SCG-2 | SCG-3 | SCG-4 | SCG-5 | SCG-6



1. Ramp is shipped already assembled. Examine ramp for damages or missing hardware before use.
2. Place the folded ramp on the mounting surface (Diagram 1) and ensure the top lip is resting on the landing. Ensure the ramp is sitting on a solid structure or platform for safe use.
3. Unfold the ramp (Diagram 2) by pulling the 2 pins on one end. Center the ramp on the mounting surface.
4. It is recommended that you drill 2 holes into the mounting surface where the top lip meets the landing to avoid ramp kick-out. The 2 holes should be deep enough for the included/attached pins to fully secure the top of the ramp. (Before drilling, be sure the top lip overlaps the landing as much as possible.)
5. To remove the ramp, simply take out the pins (if applicable), fold the ramp back up, and secure the 2 pins into the end of the ramp for transport or storage.

### Maintaining the PORTA-RAMP:

Check for damage or loose parts on a regular basis. Keep the ramp surface clean and free of foreign objects. Cleaning the ramp is easily done by brushing or hosing the surface off as aluminum will not rust. \*Caution\* Do NOT use non-alkaloid detergents with water when cleaning the ramp.



									16.5°	34"					
									15.5°	32"					
									14.5°	30"					
								17.0°	13.5°	28"					
								15.7°	12.5°	26"					
							16.6°	14.5°	11.5°	24"					
							15.2°	13.2°	10.6°	22"					
						16.1°	13.8°	12.0°	9.6°	20"					
						14.5°	12.4°	10.8°	8.6°	18"					
						15.5°	12.8°	11.0°	9.6°	16"					
						17.0°	13.5°	11.2°	9.6°	8.4°	14"				
						14.5°	11.5°	9.6°	8.2°	7.2°	12"				
						16.1°	12.0°	9.6°	8.0°	6.8°	10"				
						14.5°	10.8°	8.6°	7.2°	6.2°	9"				
						12.8°	9.6°	7.7°	6.4°	5.5°	8"				
						17°	11.2°	8.4°	6.7°	5.6°	4.8°	4.2°	3.3°	7"	
						14.5°	9.6°	7.2°	5.7°	4.8°	4.1°	3.6°	2.9°	6"	
						12°	8.0°	6.0°	4.8°	4.0°	3.7°	3.0°	2.4°	5"	
						9.6°	6.4°	4.8°	3.8°	3.2°	2.7°	2.4°	1.9°	4"	
						7.2°	4.8°	3.6°	2.9°	2.4°	2.0°	1.8°	1.4°	3"	
						2'	3'	4'	5'	6'	7'	8'	10'		

**RAMP LENGTH (in feet)**

**RISE (in inches)**