

"Swing Away"

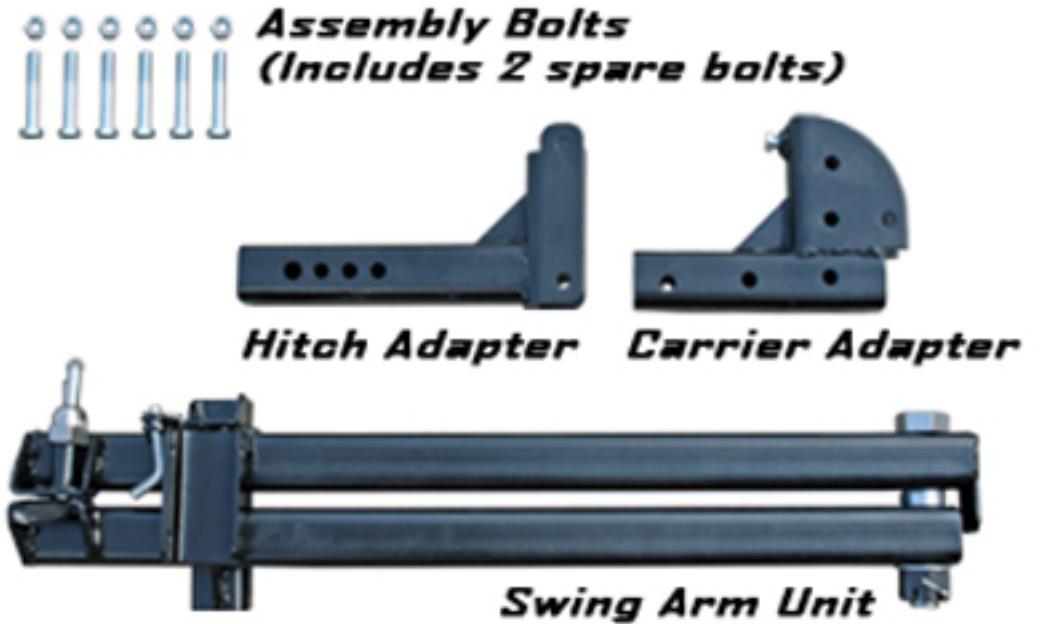
SC400 SC500

Instructions & Operation



Parts Information

Before installing, inspect each of the included components for defects. Be sure to have the proper hitch installed on the vehicle. Do not exceed the hitch load rating as the tongue weight will be the total of the Swing Away, all accessories, the mobility carrier and the weight of the scooter or powerchair.



Safety & Maintenance



The Swing Away is intended for swinging away an empty mobility carrier to provide access to the vehicle rear.

Do not operate the Swing Away unit with a scooter or powerchair loaded on the carrier.

Improper use of the Swing Away may result in injuries to persons, vehicles and other property.



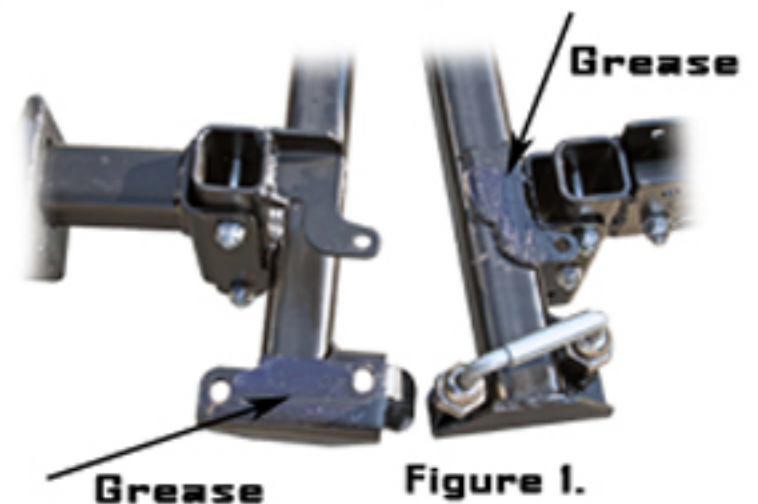
Do not exceed 350 lbs of cargo weight while using the Swing Away for transport.

Inspect the Swing Away on a regular basis, check and tighten all nuts and bolts to ensure proper functionality.



Be sure the latch surface areas are properly greased, shown bottom right in Figure 1.

Check for any rust, cracks or flaws that could affect the performance of the Swing Away system.



Assembly

The Swing Away system can be added to 2" square hitches only, allowing access to the rear of a vehicle. Do not use with 1-1/4" hitches or hitch adapters. Any attached carrier must remain unloaded during operation.

Swing Away enables up to a 7" rise configuration. Align the Hitch Bracket upright (Figure 2) or downward (Figure 3) depending on the rise desired, slide over the anti-tilt bracket, then lock the Hitch Bracket in the hitch receiver tube with a pinch bolt (see pg4) or hitch pin. Tighten the anti-tilt a 17mm socket to provide stability as shown in Figure 4.

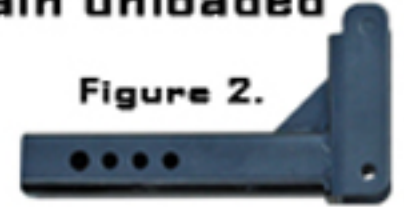
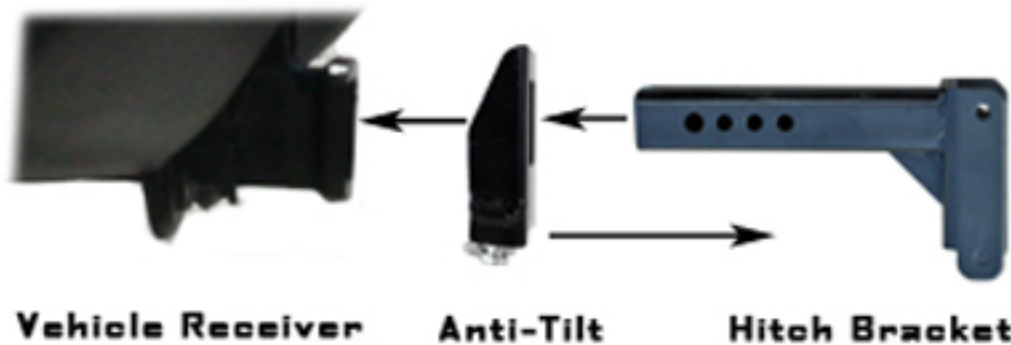


Figure 2.



Figure 3.

Downward installation example:



Vehicle Receiver

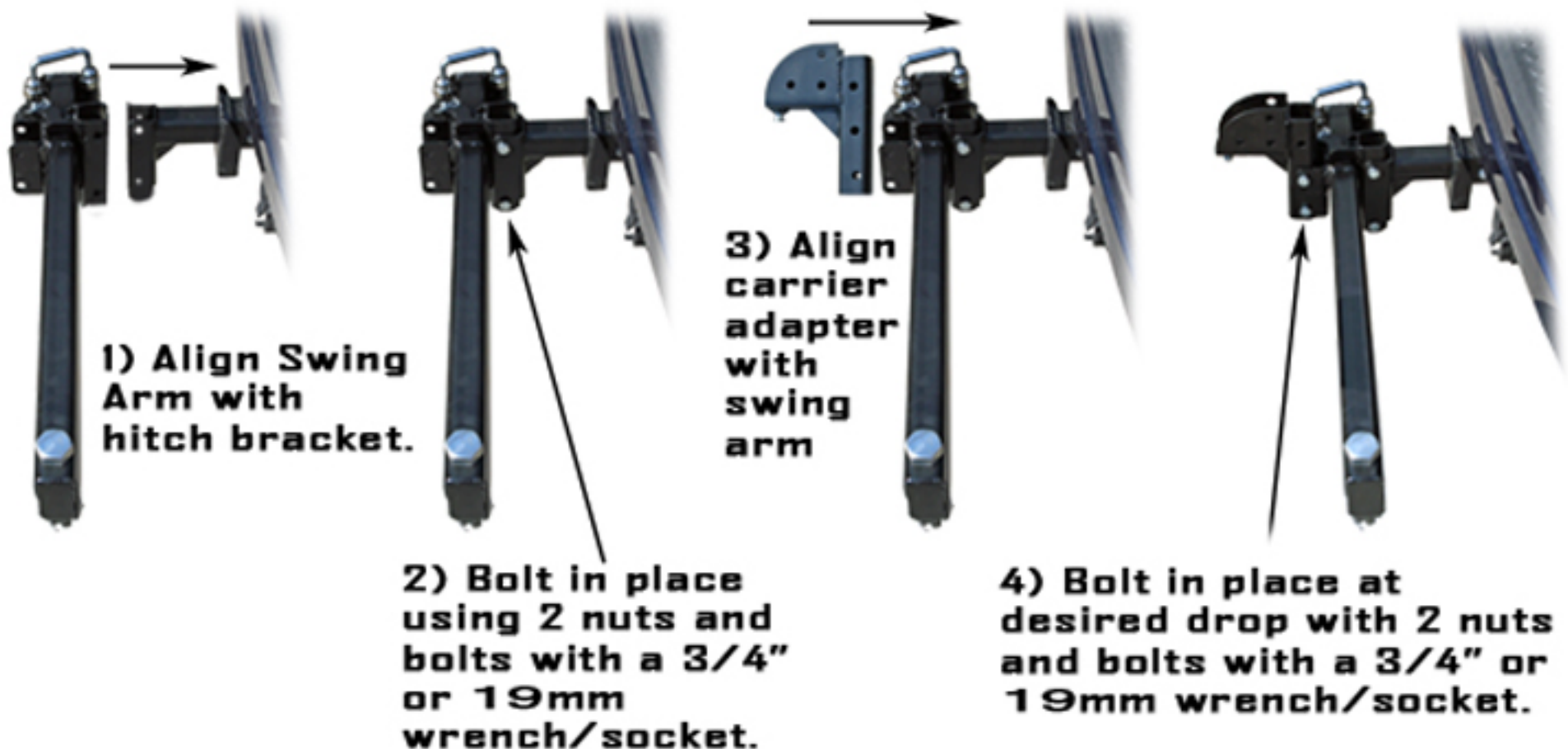
Anti-Tilt

Hitch Bracket



Figure 4.

Installing the Swing Arm:



1) Align Swing Arm with hitch bracket.

2) Bolt in place using 2 nuts and bolts with a 3/4" or 19mm wrench/socket.

3) Align carrier adapter with swing arm

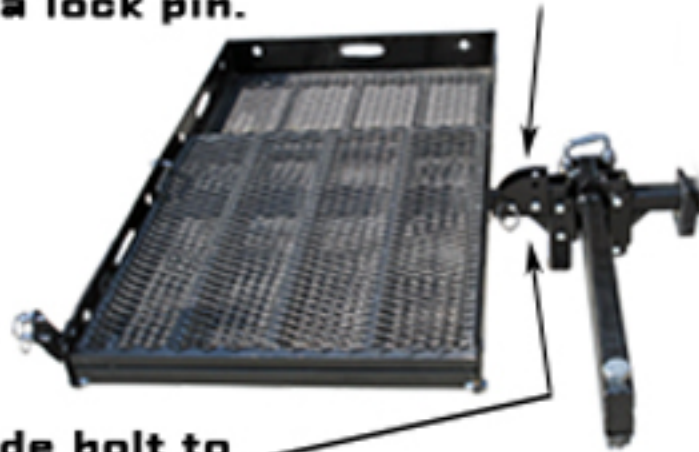
4) Bolt in place at desired drop with 2 nuts and bolts with a 3/4" or 19mm wrench/socket.

Assembly cont.



Remove the pin from the existing hitch tube adapter on the SC400/500 and remove the hitch tube adapter.

Slide carrier into the carrier bracket and lock in place with a lock pin.



Tighten underside bolt to stabilize the carrier connection

To fold the carrier up, remove the lock pin, fold carrier up-right, and insert locking pin to hold in place.

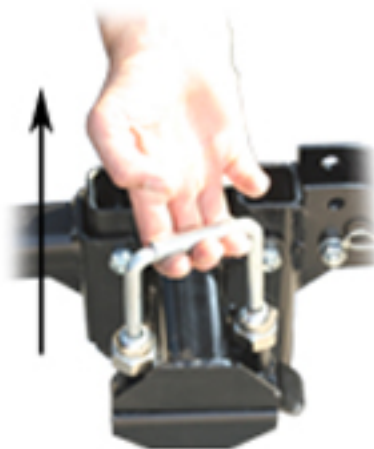


Operation

1) Remove safety pin



2) Pull latch handle upward

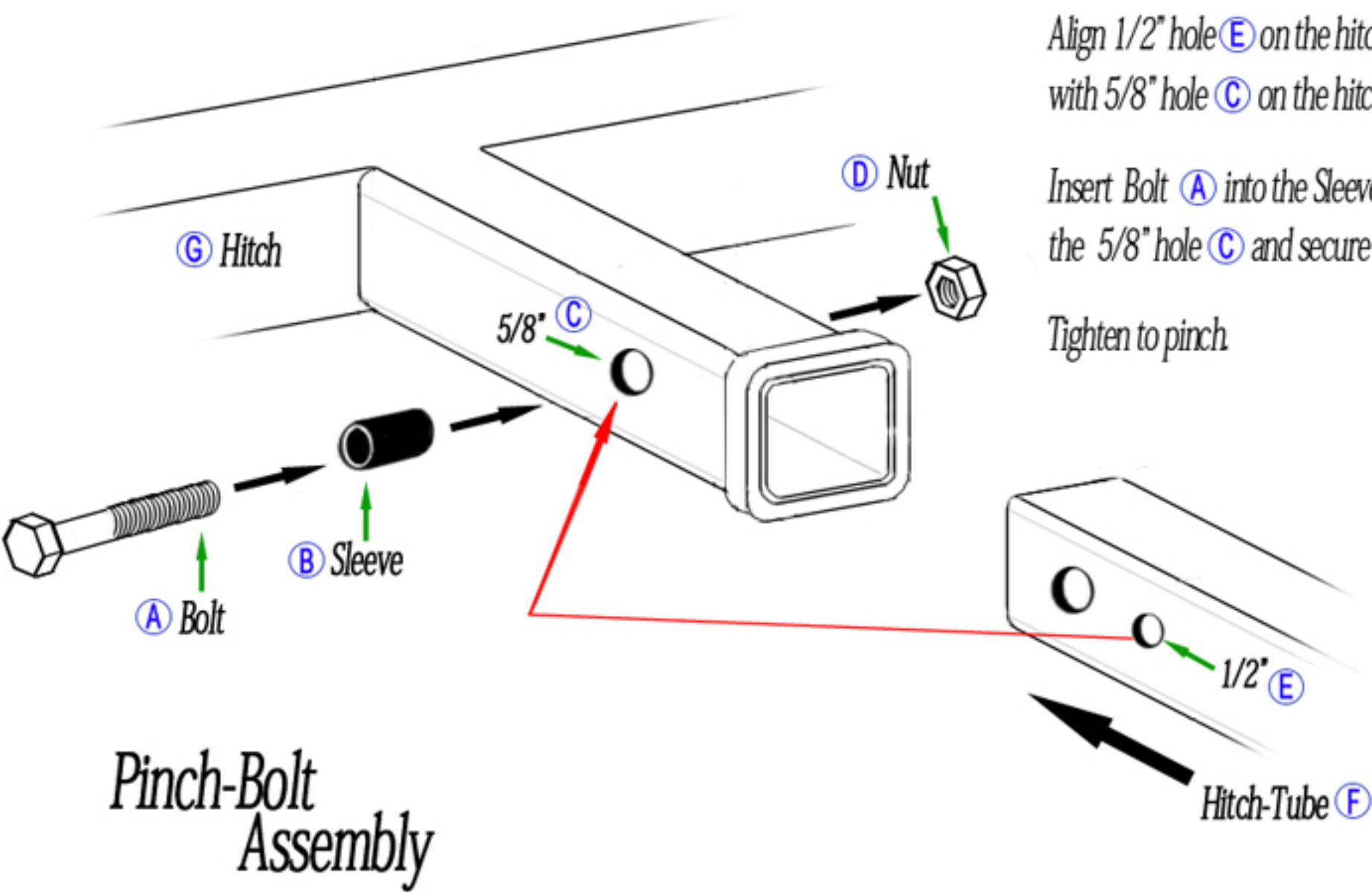


3) Swing Away



Do not operate the Swing Away with a loaded carrier.

The Swing Away unit features a safety stop mechanism to help prevent over-swinging the carrier. Take proper precautions to ensure absolute safety while operating. Be sure there are no obstructions preventing the Swing Away system from operating properly.



Align 1/2" hole (E) on the hitch tube (F) with 5/8" hole (C) on the hitch (G)

Insert Bolt (A) into the Sleeve (B) through the 5/8" hole (C) and secure with nut (D)

Tighten to pinch

Pinch-Bolt Assembly

Hitch-Tube (F)