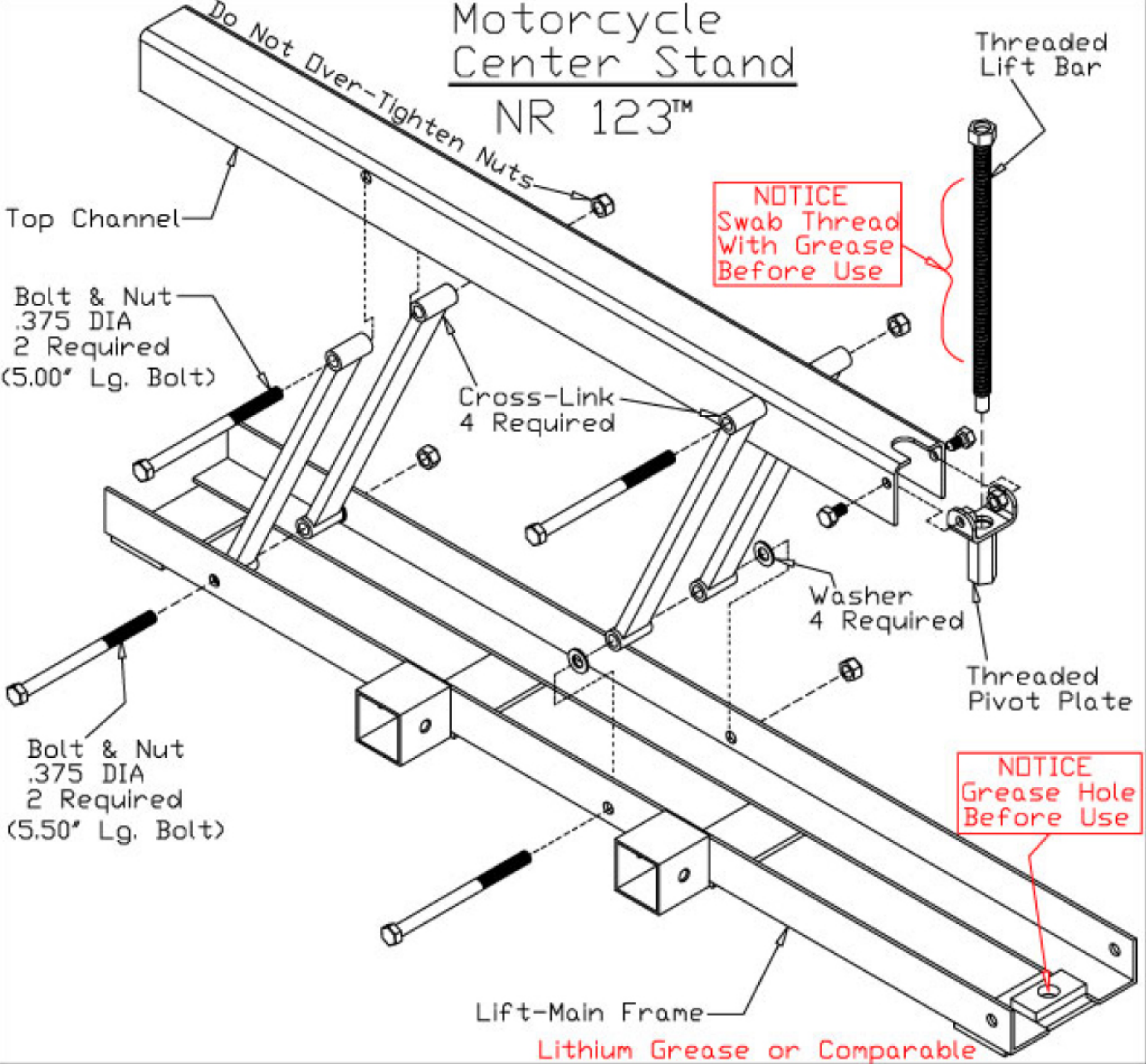


Motorcycle Center Stand NR 123™



Do Not Over-Tighten Nuts

Threaded Lift Bar

NOTICE
Swab Thread
With Grease
Before Use

Top Channel

Bolt & Nut
.375 DIA
2 Required
(5.00" Lg. Bolt)

Cross-Link
4 Required

Washer
4 Required

Threaded
Pivot Plate

Bolt & Nut
.375 DIA
2 Required
(5.50" Lg. Bolt)

NOTICE
Grease Hole
Before Use

Lift-Main Frame

Lithium Grease or Comparable