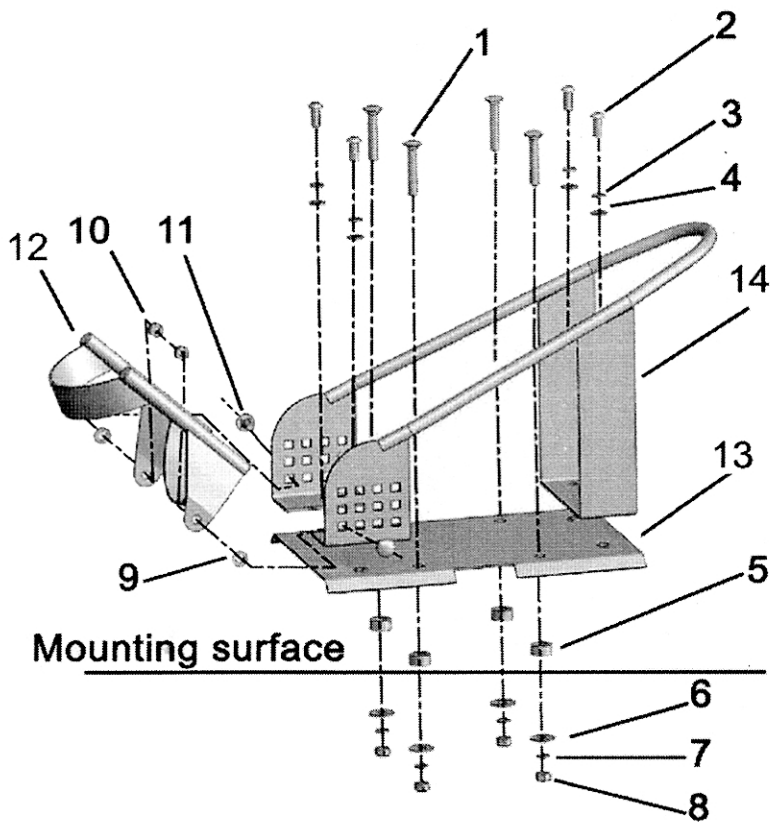


Motorcycle self locking chock



Parts List:

Ref	Description	Qty
1	Bolt-Carriage Head, 3/8" x2-1/2"	4
2	Bolt-Hexagon Socket Head 3/8" x1"	4
3&7	Washer- Lock	8
4&9	Body Washer 3/4"	6
5	Plastic Spacers	4
6	Body Washer 1-1/4"	4
8	Nut 3/8"	4
10	Nut-Lock	2
11	Bolt-Carriage 3/4" x1-1/4"	2
12	Cradle	1
13	Mounting Plate	1
14	Wheel Chock	1

Chose a flat location and install the mounting plate (part 13), don't forget the mounting plate spacers (part 5) under plate. Once the mounting plate is in place install the wheel chock (part 14) on the plate. Adjust the cradle (part 12) for optimum retention; this is achieved by trying different settings. Optimum retention would be when bike is safely secured by itself in an upright position. It is recommended to have a second person assist in the fitment of the cradle. Most bikes will use 3rd hole back from the front and bottom row. To load lower pivoting bracket and simply push or slowly drive the motorcycle into the chock. The pivoting bracket will close on the on the motorcycle tire, securing the bike in an upright position and allowing 1 person to now secure bike with tie-downs.

Warning !

Adjust for tire size before use

Use for motorcycle tires only

Secure chock and strap down motorcycle before transporting

Keep clear of wheel and chock while loading

Inspect before use; do not use if parts are loose or damaged